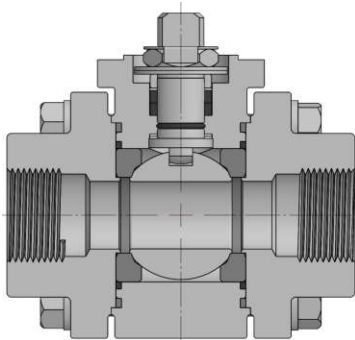


QUALIFICATION CERTIFICATE

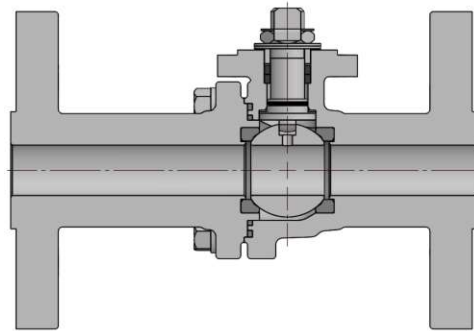
FIRE SAFE

Applicable Standard	ISO 10497 / API 607		
Certification Body	SGS / Lloyd's		
Series	Floating ball valves XF / CF / SF / BF / XFH / CFH / SFH / BFH		
Report n°	PTC16.01637.5046 PTC16.01636.5046	VGO8130073/04	PTC17.06071.5123 PTC19.07244.5123 VGO8130073/03
Size	DN200 and below	DN100 and below	DN100 and below
Applicable pressure	CL150 to CL300	CL600 to CL900	CL150 to CL900
Enclosure	FERRITIC STEEL (Carbon Steel)		AUSTENITIC STEEL (Stainless Steel)
Seats	RPTFE (C-RPTFE / TFM / PTFE)		

Three pieces



Two pieces




Vinco
VALVES

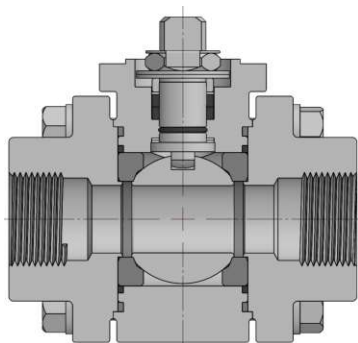
José Jacinto
Product Engineer Responsible

QUALIFICATION CERTIFICATE

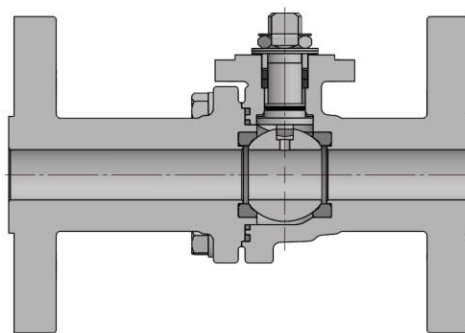
FIRE SAFE

Applicable Standard	ISO 10497 / API 607	
Certification Body	SGS / Lloyd's	
Series	Floating ball valves XF / CF / SF / BF / XFH / CFH / SFH / BFH	
Report n°	PTC18.07185.5123 PTC19.03947.5123	VGO8120251/01A1
Size	DN100 and below	DN100 and below
Applicable pressure	CL150 to CL900	CL150 to CL300
Enclosure	DUPLEX STEEL	TITANIUM
Seats	RPTFE (C-RPTFE / TFM / PTFE)	

Three pieces



Two pieces

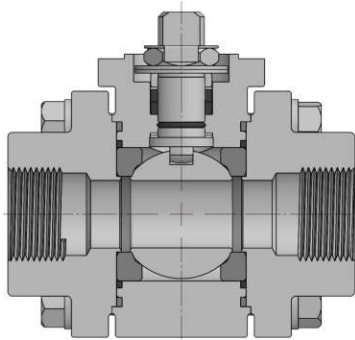


QUALIFICATION CERTIFICATE

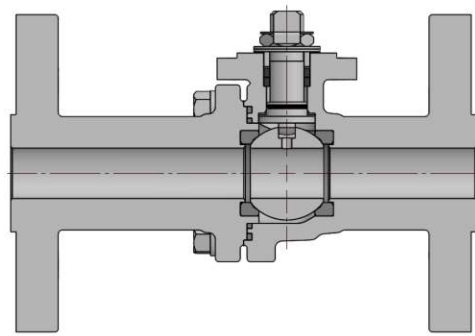
FIRE SAFE

Applicable Standard	ISO 10497 / API 607	
Certification Body	SGS	
Series	Floating ball valves XF / CF / SF / BF / XFH / CFH / SFH / BFH	
Report n°	PTC18.05392.5123	PTC18.02071.5123
Size	DN100 and below	DN100 and below
Applicable pressure	CL600 to CL900	CL150 to CL300
Enclosure	FERRITIC STEEL (Carbon Steel)	AUSTENITIC STEEL (Stainless Steel)
Seats	PEEK	

Three pieces



Two pieces



Job J16.0300.5046.111
Manufacturer VINCO VALVULAS, S.A.
Test place Rua do Progresso, Lote 15, Vilarinho das Cambas
Test date 26/04/2016
Standard(s) Used ISO 10497:2010 and API 6th Edition (Set 2010)
Type Ball Valve
DN 50
Class 150
Valve form 3 pieces
Reference n.º SF DN050 XXXX A2 CL150
Material Body/End: A350LF2
Ball: SS316
Seats: TFM1600
Stem: F316-316L

Drawings FST01/2016
Fire Safe Test Report n.º FST01/2016

All the following values were determined and recorded together with temperatures, times and pressures on fire safe test report

Result of tests Satisfactory

It were performed by Vinco Valvulas, S.A. the following test:

- 1- Through seat leakage during burn period
- 2 - Through-seat leakage after cool-down period
- 3 - External leakage during burn and cool-down period
- 4 - External leakage after operational test period

- 5 - Through-seat leakage at low pressure
- 6 - External leakage at high test pressure to the fully open position
- 7 - Through seat leakage during burn period
- 8 -Visual inspection

This is to certify that the fire test has performed by Vinco Valvulas, S.A. under our witness as above, and the results are SATISFIED with the requirements of ISO 10497:2010 and API 6th Edition (Set 2010) for the above product, so SGS PORTUGAL, S.A. hereby confirm the qualification as follows:

DN: DN50 and below, DN65, DN80, DN100
CLASS RATING: 150, 300

Data: 28/04/2016
Date



Carlos Felgueiras
Technical Responsible

Job J16.0300.5046.111
Manufacturer VINCO VALVULAS, S.A.
Test place Rua do Progresso, Lote 15, Vilarinho das Cambas
Test date 26/04/2016
Standard(s) Used ISO 10497:2010 and API 6th Edition (Set 2010)
Type Ball Valve
DN 100
Class 150
Valve form 3 pieces
Reference n.º SFDN100XXXXA2 CL 150
Material Body/End: A350LF2
Ball: SS316
Seats: TFM1600
Stem: F316-316L

Drawings FST02/2016
Fire Safe Test Report n.º FST02/2016

All the following values were determined and recorded together with temperatures, times and pressures on fire safe test report

Result of tests Satisfactory

It were performed by Vinco Valvulas, S.A. the following test:

- 1- Through seat leakage during burn period
- 2 - Through-seat leakage after cool-down period
- 3 - External leakage during burn and cool-down period
- 4 - External leakage after operational test period

- 5 - Through-seat leakage at low pressure
- 6 - External leakage at high test pressure to the fully open position
- 7 - Through seat leakage during burn period
- 8 -Visual inspection

This is to certify that the fire test has performed by Vinco Valvulas, S.A. under our witness as above, and the results are SATISFIED with the requirements of ISO 10497:2010 and API 6th Edition (Set 2010) for the above product, so SGS PORTUGAL, S.A. hereby confirm the qualification as follows:

DN: DN100, DN125, DN150 and DN200
CLASS RATING: 150, 300

Data: 28/04/2016
Date



Carlos Felgueiras
Technical Responsible

**This certificate is issued to:
VINCO VALVULAS, S.A**

*To certify that the undersigned Surveyor to **Lloyd's Register España**, attended on 11-06-2013 at **VINCO VALVULAS S.A.** facilities site in Rua do Progresso, lote 15, Vilarinho das Cambas, Famalicão -Portugal examining and testing the following equipment:*

ONE (1) Design: SF SERIES - FIRESAFE BALL VALVE

- Type: **Ball Valve**
- DN: **DN50/ 2"**
- Class: **PN100/600lbs**
- Valve Form: **3 Pieces**
- Reference N°: **SF 050XXXX A3 CL600**
- Material:
 - Body :**A350 LF2**
 - End / Flanges: **A350 LF2**
 - Ball : **AISI 316/316L**
 - Stem: **AISI 316/316L**
 - Seat: **PTFE-25% Soft Carbon**
- Drawing: **FST-08 Date: 06.06.2013 R.Santos**

The fire test was carried out according to :

**EN ISO 10497:2010. Testing of valves. Fire type-testing requirements
API 607 6th (Set. 2010).**

Fire Safe Test Report Document Nr: **FST -08**

- System for fire type-testing of valves: **Pump as pressure source**
- Valve Type: **Symmetric**
- Pressurize system: **High test pressure (75 Bar)**
- Test Fluid : **Water**
- Gear Box: **No Gear Box**

Valves Qualified according to size and class rating:

- Size: **DN50 AND BELLOW ; DN65; DN80;DN100
NPS 2 AND BELLOW; NPS 2 ½ ;NPS 3 ; NPS4**
- Pressure ratings: **PN 100; PN 150
600lbs;800lbs;900 lbs**



Manuel Santiago Pita

Surveyor to Lloyd's Register España S.A.
A member of Lloyd's Register Group

Testing Data Sheets Attached Yes/No

Lloyd's Register, its affiliates and subsidiaries and their respective officers, employees or agents are, individually and collectively, referred to in this clause as the "Lloyd's Register Group". The Lloyd's Register Group assumes no responsibility and shall not be liable to any person for any loss, damage or expense caused by reliance on the information or advice in this document or howsoever provided, unless that person has signed a contract with the relevant Lloyd's Register Group entity for the provision of this information or advice and in that case any responsibility or liability is exclusively on the terms and conditions set out in that contract.

Job J17.0396.IND.POR
Manufacturer VINCO VÁLVULAS, S.A.
Test place Rua do Progresso, Lote 15, Vilarinho das Cambas
Test date 04/10/2017
Standard(s) Used ISO 10497:2010 and API 607 6th Edition (Set 2010)
Type Floating Ball Valve
DN 50
Class 150
Valve form 3 pieces
Reference n.º SF2F050XXXXF3
Material Body/End: A182 F316
Ball: A351 CF8M
Seats: CG-RPTFE
Stem: A182 F316

Drawings

Fire Safe Test Report n.º

All the following values were determined and recorded together with temperatures, times and pressures on fire safe test report

Result of tests

Satisfactory

It were performed by Vinco Válvulas, S.A. the following test:

- 1 - Through seat leakage during burn period
- 2 - Through-seat leakage after cool-down period
- 3 - External leakage during burn and cool-down period
- 4 - External leakage after operational test period
- 5 - Through-seat leakage at low pressure
- 6 - External leakage at high test pressure to the fully open position
- 7 - Through seat leakage during burn period
- 8 - Visual inspection

This is to certify that the fire test has performed by Vinco Válvulas, S.A. under our witness as above, and the results are SATISFIED with the requirements of ISO 10497:2010 and API 607 6th Edition (Set 2010) for the above product, so SGS PORTUGAL, S.A. hereby confirm the qualification as follows:

DN: DN100 and below
CLASS RATING: 150, 300

Data: 04/10/2017

Date



Carlos Felgueiras
Technical Responsible

Job J19.0247.IND.POR
Manufacturer VINCO Válvulas, S.A.
Test Place Rua do Progresso, Lote 15, Vilarinho das Cambas
Test Date 19/09/2018
Standard(s) Used ISO 10497: 2010 and API 607 6th Edition (Set 2010)
Type Floating Ball Valve
DN 50
Class 300
Valve Form 3 pieces
Reference N° XX2F050XXXXFF3
Material Body/End: A351 CF3M
Ball: A351 CF8M
Seats: CRPTFE
Stem: A479 316
Drawings FL005.R00
Fire Safe Test Report n.º FST10/2019

All the following values were determined and recorded together with temperatures, times and pressures on fire safe test report

Result of Tests

Satisfactory

It was performed by Vinco Válvulas, S.A. the following test:

- 1 - Through seat leakage during burn period
- 2 - Through-seat leakage after cool-down period
- 3 - External leakage during burn and cool-down period
- 4 - External leakage after operational test period
- 5 - Through-seat leakage at low pressure
- 6 - External leakage at high test pressure to the fully open position
- 7 - Through seat leakage during burn period
- 8 - Visual inspection

This is to certify that the fire test has performed by VINCO Válvulas, S.A., under our witness as above, and the results are SATISFIED with the requirements of ISO 10497:2010 and API 607 6th Edition (Set 2010) for the above product, so SGS PORTUGAL, S.A. hereby confirm the qualification as follows:

DN: 100 and below
CLASS RATING: 300; 600

Date: 24-09-2019



Carlos Felgueiras
Technical Responsible

Este documento foi emitido pela Companhia de acordo com as Condições Gerais de Serviço disponíveis em http://www.sgs.com/terms_and_conditions.htm. Chama-se especial atenção às cláusulas referentes aos limites de responsabilidade, indemnização e jurisdição.

Informa-se qualquer portador deste documento que a informação nele contida reflete apenas as constatações da Companhia na altura da sua intervenção e dentro dos limites das instruções do Cliente, se existentes. A Companhia apenas é responsável perante o seu Cliente e este documento não exonera as partes envolvidas numa transação de exercerem todos os seus direitos e obrigações à luz da documentação dessa transação. Qualquer alteração não autorizada, adulteração ou falsificação do conteúdo ou aparência deste documento é ilegal e os transgressores poderão ser alvo de todas as ações legais previstas.

SGS Portugal, S.A.

Pólo Tecnológico de Lisboa, Rua Cupertino de Miranda, Lote 6, 1600-546 Lisboa, t(+351) 217 104 200, f(+351) 217 157 520
Rua Padre António, 232, Piso 4 – Fração 4.4, 4470-136 Maia, t(+351) 229 994 500, f(+351) 217 157 520
Capital Social 500.000 Euros - Reg. Com. de Lisboa - Contribuinte n.º 500 417 660 - Mail: pt.info@sgs.com - Web: www.sgs.pt - Linha SGS: 808 200 747

This certificate is issued to:
VINCO VALVULAS, S.A

To certify that the undersigned Surveyor to **Lloyd's Register España**, attended on 11-06-2013 at **VINCO VALVULAS S.A.** facilities site in Rua do Progresso, lote 15, Vilarinho das Cambas, Famalicão -Portugal examining and testing the following equipment:

ONE (1) Design: SF SERIES - FIRESAFE BALL VALVE

- Type: **Ball Valve**
- DN: **DN50/ 2"**
- Class: **PN100/600lbs**
- Valve Form: **3 Pieces**
- Reference N°: **SF 050XXXX F3 CL600**
- Material:
 - Body : **AISI 316/316L**
 - End / Flanges: **AISI 316/316L**
 - Ball : **AISI 316/316L**
 - Stem: **AISI 316/316L**
 - Seat: **PTFE-25% Soft Carbon**
- Drawing: **FST-07 Date: 06.06.2013 R.Santos**

The fire test was carried out according to :

**EN ISO 10497:2010. Testing of valves. Fire type-testing requirements
API 607 6th (Set. 2010).**

Fire Safe Test Report Document Nr: **FST -07**

- System for fire type-testing of valves: **Pump as pressure source**
- Valve Type: **Symmetric**
- Pressurize system: **High test pressure (75 Bar)**
- Test Fluid : **Water**
- Gear Box: **No Gear Box**

Valves Qualified according to size and class rating:

- Size: **DN50 AND BELLOW ; DN65; DN80;DN100
NPS 2 AND BELLOW; NPS 2 ½ ;NPS 3 ; NPS4**
- Pressure ratings: **PN 100; PN 150
600lbs;800lbs;900 lbs**



Manuel Santiago Pita

Surveyor to Lloyd's Register España S.A.
A member of Lloyd's Register Group

Testing Data Sheets Attached Yes/No

Lloyd's Register, its affiliates and subsidiaries and their respective officers, employees or agents are, individually and collectively, referred to in this clause as the "Lloyd's Register Group". The Lloyd's Register Group assumes no responsibility and shall not be liable to any person for any loss, damage or expense caused by reliance on the information or advice in this document or howsoever provided, unless that person has signed a contract with the relevant Lloyd's Register Group entity for the provision of this information or advice and in that case any responsibility or liability is exclusively on the terms and conditions set out in that contract.

Job J18.0084.IND.POR
Manufacturer VINCO Válvulas, S.A.
Test Place Rua do Progresso, Lote 15, Vilarinho das Cambas
Test Date 19/09/2018
Standard(s) Used ISO 10497: 2010 and API 607 6th Edition (Set 2010)
Type Floating Ball Valve
DN 50
Class 600
Valve Form 3 pieces
Reference N° SF-F2XXXXCT3
Material Body/End: A182 F51
Ball: A182 F51
Seats: CG-RPTFE
Stem: A182 F51
Drawings SF-F2CT3
Fire Safe Test Report n.º FST26/2018

All the following values were determined and recorded together with temperatures, times and pressures on fire safe test report

Result of Tests

Satisfactory

It was performed by Vinco Válvulas, S.A. the following test:

- 1 - Through seat leakage during burn period
- 2 - Through-seat leakage after cool-down period
- 3 - External leakage during burn and cool-down period
- 4 - External leakage after operational test period
- 5 - Through-seat leakage at low pressure
- 6 - External leakage at high test pressure to the fully open position
- 7 - Through seat leakage during burn period
- 8 - Visual inspection

This is to certify that the fire test has performed by VINCO Válvulas, S.A., under our witness as above, and the results are SATISFIED with the requirements of ISO 10497:2010 and API 607 6th Edition (Set 2010) for the above product, so SGS PORTUGAL, S.A. hereby confirm the qualification as follows:

DN: 100 and below

CLASS RATING: 600; 800; 900

Date: 21/09/2018



Digitally signed
by Helder Fileno
Date: 2018-09-21
14:51+01:00

Helder Fileno
Control Management

Este documento foi emitido pela Companhia de acordo com as Condições Gerais de Serviço disponíveis em http://www.sgs.com/terms_and_conditions.htm. Chama-se especial atenção às cláusulas referentes aos limites de responsabilidade, indemnização e jurisdição.

Informa-se qualquer portador deste documento que a informação nele contida reflete apenas as constatações da Companhia na altura da sua intervenção e dentro dos limites das instruções do Cliente, se existentes. A Companhia apenas é responsável perante o seu Cliente e este documento não exonera as partes envolvidas numa transação de exercerem todos os seus direitos e obrigações à luz da documentação dessa transação. Qualquer alteração não autorizada, adulteração ou falsificação do conteúdo ou aparência deste documento é ilegal e os transgressores poderão ser alvo de todas as ações legais previstas.

Job J19.0247.IND.POR
Manufacturer VINCO Válvulas, S.A.
Test Place Rua do Progresso, Lote 15, Vilarinho das Cambas
Test Date 07/05/2019
Standard(s) Used ISO 10497: 2010 and API 607 6th Edition (Set 2010)
Type Floating Ball Valve
DN 50
Class 150
Valve Form 2 pieces
Reference N° XX1F050XXXXTT3
Material Body/End: A479 S31803
Ball: A479 S31803
Seats: CG-RPTFE
Stem: A479 S31803
Drawings FL003.R00
Fire Safe Test Report n.º FST003/2019

All the following values were determined and recorded together with temperatures, times and pressures on fire safe test report

Result of Tests **Satisfactory**

It was performed by Vinco Válvulas, S.A. the following test:

- 1 - Through seat leakage during burn period
- 2 - Through-seat leakage after cool-down period
- 3 - External leakage during burn and cool-down period
- 4 - External leakage after operational test period
- 5 - Through-seat leakage at low pressure
- 6 - External leakage at high test pressure to the fully open position
- 7 - Through seat leakage during burn period
- 8 - Visual inspection

This is to certify that the fire test has performed by VINCO Válvulas, S.A., under our witness as above, and the results are SATISFIED with the requirements of ISO 10497:2010 and API 607 6th Edition (Set 2010) for the above product, so SGS PORTUGAL, S.A. hereby confirm the qualification as follows:

**DN: 100 and below;
CLASS RATING: 150; 300**

Date: 07/05/2019



Digitally signed
by Helder Fileno
Date: 2019-05-07
15:37+01:00

Helder Fileno
Control Management

Este documento foi emitido pela Companhia de acordo com as Condições Gerais de Serviço disponíveis em http://www.sgs.com/terms_and_conditions.htm. Chama-se especial atenção às cláusulas referentes aos limites de responsabilidade, indemnização e jurisdição.

Informa-se qualquer portador deste documento que a informação nele contida reflete apenas as constatações da Companhia na altura da sua intervenção e dentro dos limites das instruções do Cliente, se existentes. A Companhia apenas é responsável perante o seu Cliente e este documento não exonera as partes envolvidas numa transação de exercerem todos os seus direitos e obrigações à luz da documentação dessa transação. Qualquer alteração não autorizada, adulteração ou falsificação do conteúdo ou aparência deste documento é ilegal e os transgressores poderão ser alvo de todas as ações legais previstas.

This certificate is issued to:
VINCO VALVULAS, S.A

*To certify that the undersigned Surveyor to **Lloyd's Register España** did, at their request attend at the premises 20-12-2012 at **VINCO VALVULAS S.A.** facilities site in *Rua do Progresso, lote 15, Vilarinho das Cambas , Famalicão -Portugal* examining and testing the following equipment:*

- ONE (1)** Design: SF SERIES - FIRESAFE BALL VALVE
- Type: **Ball Valve**
 - DN: **DN50**
 - Class: **150 Lbs**
 - Valve Form: **3 Pieces**
 - Reference N°: **SF 050XXXX T3 CL150**
 - Material:
 - Body :**Titanium - ASTM B381 F2**
 - End / Flanges: **Titanium -ASTM B381 F2**
 - Ball : **Titanium - ASTM B381 F2**
 - Stem: **Titanium - ASTM B381 F2**
 - Seat: **PTEF-25% Soft Carbon**
 - Drawing: **SF-50FB-EØ78 Date: 21-12-2012 R.Santos**

The fire test was carried out according to :

**EN ISO 10497:2010. Testing of valves. Fire type-testing requirements
API 607 6th (Set. 2010).**

Fire Safe Test Report Document Nr: **FST -01**

- System for fire type-testing of valves: **Pump as pressure source**
- Pressurize system: **Low test pressure**
- Test Fluid : **Water**

Valves Qualified according to size and class rating:

- Size: **DN50 and below, DN65, DN80, DN100**
- Pressure ratings: **150 and 300 lbs.**



.....
Surveyor to Lloyd's Register España S.A.

Testing Data Sheets Attached Yes/No

Lloyd's Register, its affiliates and subsidiaries and their respective officers, employees or agents are, individually and collectively, referred to in this clause as the "Lloyd's Register Group". The Lloyd's Register Group assumes no responsibility and shall not be liable to any person for any loss, damage or expense caused by reliance on the information or advice in this document or howsoever provided, unless that person has signed a contract with the relevant Lloyd's Register Group entity for the provision of this information or advice and in that case any responsibility or liability is exclusively on the terms and conditions set out in that contract.

Job J18.0084.IND.POR
Manufacturer VINCO Válvulas, S.A.
Test Place Rua do Progresso, Lote 15, Vilarinho das Cambas
Test Date 24/07/2018
Standard(s) Used ISO 10497: 2010 and API 607 6th Edition (Set 2010)
Type Floating Ball Valve
DN 50
Class 600
Valve Form 3 pieces
Reference N° SF2F050XXXXB4
Material Body/End: A350 LF2
Ball: A351 CF8M
Seats: PEEK
Stem: A182 F316
SF2F050C9C9B4
Drawings FST24/2018

All the following values were determined and recorded together with temperatures, times and pressures on fire safe test report

Result of Tests

Satisfactory

It was performed by Vinco Válvulas, S.A. the following test:

- 1 - Through seat leakage during burn period
- 2 - Through-seat leakage after cool-down period
- 3 - External leakage during burn and cool-down period
- 4 - External leakage after operational test period
- 5 - Through-seat leakage at low pressure
- 6 - External leakage at high test pressure to the fully open position
- 7 - Through seat leakage during burn period
- 8 - Visual inspection

This is to certify that the fire test has performed by VINCO Válvulas, S.A., under our witness as above, and the results are SATISFIED with the requirements of ISO 10497:2010 and API 607 6th Edition (Set 2010) for the above product, so SGS PORTUGAL, S.A. hereby confirm the qualification as follows:

**DN: 100 and below
CLASS RATING: 600; 800; 900**

Date: 24/07/2018

Digitally signed
by Helder Fileno

Date:
2018-07-24
14:28+01:00

Helder Fileno
Control Management

Este documento foi emitido pela Companhia de acordo com as Condições Gerais de Serviço disponíveis em http://www.sgs.com/terms_and_conditions.htm. Chama-se especial atenção às cláusulas referentes aos limites de responsabilidade, indemnização e jurisdição.

Informa-se qualquer portador deste documento que a informação nele contida reflete apenas as constatações da Companhia na altura da sua intervenção e dentro dos limites das instruções do Cliente, se existentes. A Companhia apenas é responsável perante o seu Cliente e este documento não exonera as partes envolvidas numa transação de exercerem todos os seus direitos e obrigações à luz da documentação dessa transação. Qualquer alteração não autorizada, adulteração ou falsificação do conteúdo ou aparência deste documento é ilegal e os transgressores poderão ser alvo de todas as ações legais previstas.

Job J18.0084.IND.POR
Manufacturer VINCO Válvulas, S.A.
Test Place Rua do Progresso, Lote 15, Vilarinho das Cambas
Test Date 28/02/2018
Standard(s) Used ISO 10497: 2010 and API 607 6th Edition (Set 2010)
Type Floating Ball Valve
DN 50
Class 150
Valve Form 2 pieces
Reference N° BF1XXXXFF4

Material
Body/End: ASTM A182 F316
Ball: ASTM A351 CF8M
Seats: PEEK
Stem: ASTM A182 F316

Drawings
BF1C9C9FF4

Fire Safe Test Report n.º

All the following values were determined and recorded together with temperatures, times and pressures on fire safe test report

Result of Tests

Satisfactory

It was performed by Vinco Válvulas, S.A. the following test:

- 1 - Through seat leakage during burn period
- 2 - Through-seat leakage after cool-down period
- 3 - External leakage during burn and cool-down period
- 4 - External leakage after operational test period
- 5 - Through-seat leakage at low pressure
- 6 - External leakage at high test pressure to the fully open position
- 7 - Through seat leakage during burn period
- 8 - Visual inspection

This is to certify that the fire test has performed by VINCO Válvulas, S.A., under our witness as above, and the results are SATISFIED with the requirements of ISO 10497:2010 and API 607 6th Edition (Set 2010) for the above product, so SGS PORTUGAL, S.A. hereby confirm the qualification as follows:

DN: 100 and below
CLASS RATING: 150; 300

Date: 28/02/2018

Digitally signed
by Helder Fileno

Date:
2018-02-28
14:52Z

Helder Fileno
Control Management

Este documento foi emitido pela Companhia de acordo com as Condições Gerais de Serviço disponíveis em http://www.sgs.com/terms_and_conditions.htm. Chama-se especial atenção às cláusulas referentes aos limites de responsabilidade, indemnização e jurisdição.

Informa-se qualquer portador deste documento que a informação nele contida reflete apenas as constatações da Companhia na altura da sua intervenção e dentro dos limites das instruções do Cliente, se existentes. A Companhia apenas é responsável perante o seu Cliente e este documento não exonera as partes envolvidas numa transação de exercerem todos os seus direitos e obrigações à luz da documentação dessa transação. Qualquer alteração não autorizada, adulteração ou falsificação do conteúdo ou aparência deste documento é ilegal e os transgressores poderão ser alvo de todas as ações legais previstas.