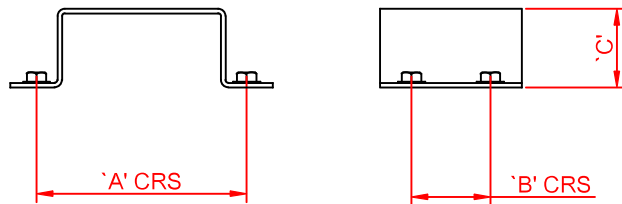


Mounting Bracket



Bracket	A	B	C	Application
MBP-100	80	30	30	80 x 30 x 20
MBP-200	80	30	40	80 x 30 x 30
MBP-300	130	30	40	130 x 30 x 30
MBP-400	130	30	60	130 x 30 x 50

Description:

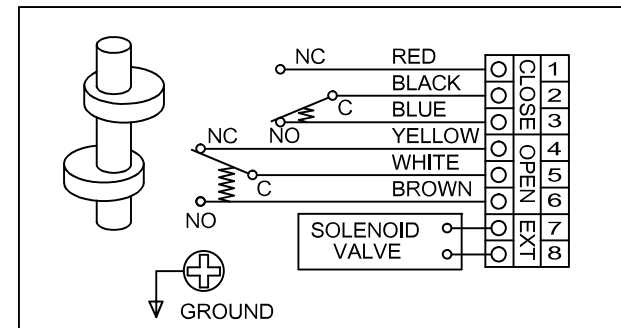
Powder Coated Aluminium Switchbox to IP67 fitted with 2 x SPDT switches for indication of fully open and fully closed positions. Solid and compact design with high visibility beacon indicator. Captive cover bolts are safely retained during installation and maintenance. The spring loaded splined cams are easily adjustable with no tools required. Dual cable entries are provided. The switchbox is mounted to the actuator using a NAMUR standard stainless steel mounting bracket.

Standard Specification:

- Enclosure Material : Die Cast Aluminium
- Enclosure Rating : IP67
- Enclosure Finish : Polyester powder coating (Black)
- Shaft Material : Stainless Steel
- Cable Entries : 2 x M20 (Options PG13.5 & 1/2"NPT)
- Limit Switch Type : 2 x SPDT, Mechanical
- Voltage/Amps : 250V AC/16A, 125V AC/16A, 250VDC/0.3A, 125VDC/0.6A, 30VDC/10A
- Ambient Temperature : -20° to +80° C

Options:

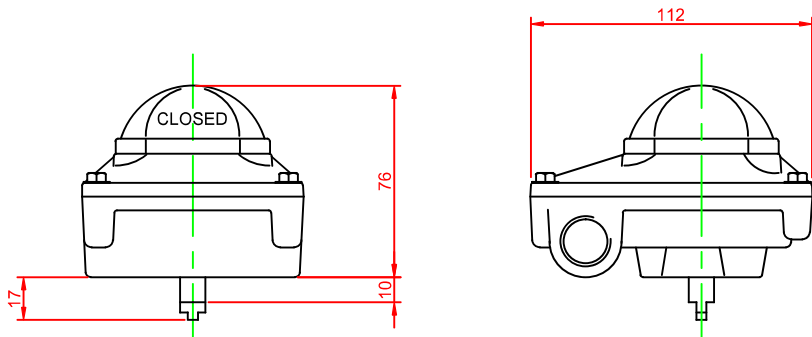
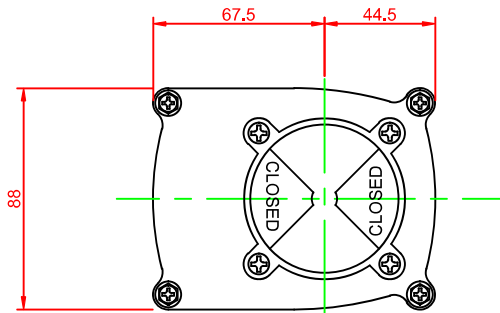
- Enclosure Rating : IP68
- Enclosure Finish : Various colours
- Proximity sensors : See Data Sheets: 2.11.1 & 2.12.1
- Beacon Indicator : 3 Way Indication
- Switch Type : 2 x SPDT with Gold Contacts



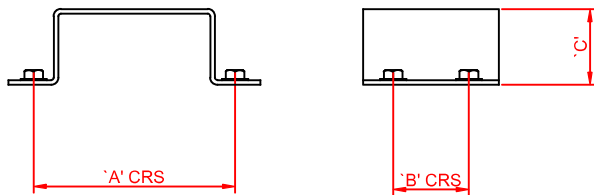
DATA SHEET No.
2.10.1

ISSUE DATE
MAR 2023

ISSUE REF
B



Mounting Bracket



Bracket	A	B	C	Application
MBP-100	80	30	30	80 x 30 x 20
MBP-200	80	30	40	80 x 30 x 30
MBP-300	130	30	40	130 x 30 x 30
MBP-400	130	30	60	130 x 30 x 50

Description:

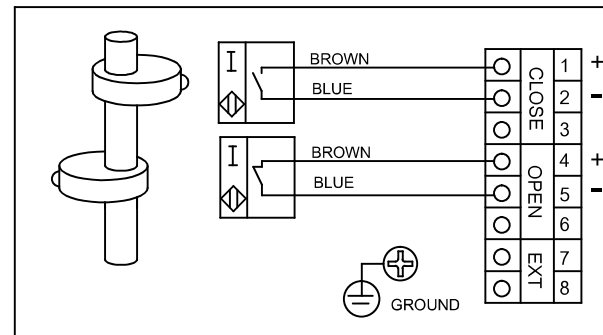
Powder Coated Aluminium Switchbox to IP67 fitted with 2 x 2 Wire Proximity sensors for indication of fully open and fully closed positions. Solid and compact design with high visibility beacon indicator. Captive cover bolts are safely retained during installation and maintenance. The spring loaded splined cams are easily adjustable with no tools required. Dual cable entries are provided. The switchbox is mounted to the actuator using a NAMUR standard stainless steel mounting bracket.

Standard Specification:

- Enclosure Material : Die Cast Aluminium
- Enclosure Rating : IP67
- Enclosure Finish : Polyester powder coating (Black)
- Shaft Material : Stainless Steel
- Cable Entries : 2 x M20 (Options PG13.5 & 1/2"NPT)
- Sensor Type : 2 x P & F NJ2-V3-N Proximity Sensors
- Sensor Rating : Atex IIG Eexia IIC T6
- Voltage : 8V DC - 2 Wire
- Ambient Temperature : -20° to +80° C

Options:

- Enclosure Rating : IP68
- Enclosure Finish : Various colours
- Proximity sensors : 3 Wire - See Data Sheet: 2.12.1
- Beacon Indicator : 3 Way Indication



DATA SHEET No.
2.11.1

ISSUE DATE
JUNE 2009

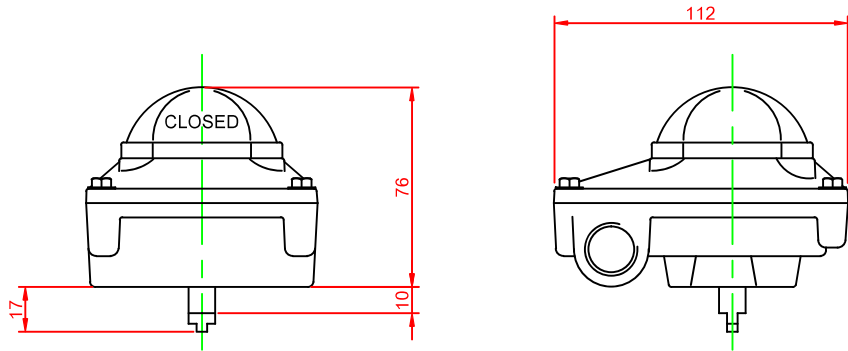
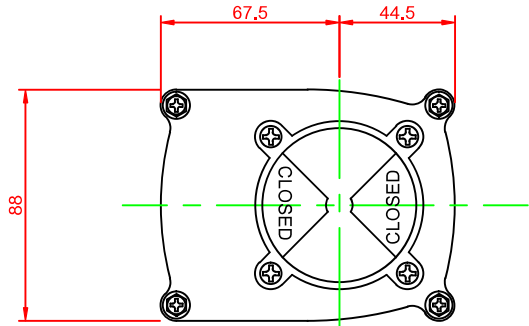
ISSUE REF
B

DATA SHEET No.
2.12.1

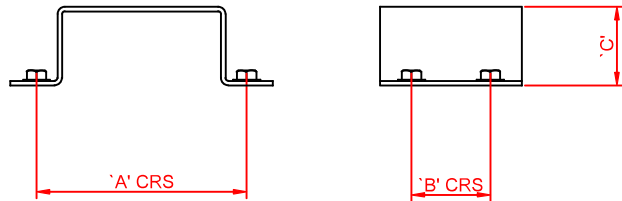
ISSUE DATE
MAR 2023

ISSUE REF
D

DOC: DS-01 1-9-2008



Mounting Bracket



Bracket	A	B	C	Application
MBP-100	80	30	30	80 x 30 x 20
MBP-200	80	30	40	80 x 30 x 30
MBP-300	130	30	40	130 x 30 x 30
MBP-400	130	30	60	130 x 30 x 50

Description:

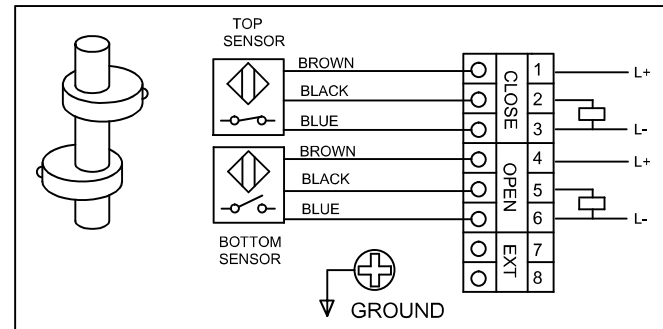
Powder Coated Aluminium Switchbox to IP67 fitted with 2 x 3 wire Proximity sensors for indication of fully open and fully closed positions. Solid and compact design with high visibility beacon indicator. Captive cover bolts are safely retained during installation and maintenance. The spring loaded splined cams are easily adjustable with no tools required. Dual cable entries are provided. The switchbox is mounted to the actuator using a NAMUR standard stainless steel mounting bracket.

Standard Specification:

- Enclosure Material : Die Cast Aluminium
- Enclosure Rating : IP67
- Enclosure Finish : Polyester powder coating (Black)
- Shaft Material : Stainless Steel
- Cable Entries : 2 x M20 (Options PG13.5 & 1/2"NPT)
- Sensor Type : 2 x P & F NBB2-V3-E2 Proximity Sensors
- Switching Element Function : PNP NO
- Voltage : 10V - 30V DC - 3 Wire
- Ambient Temperature : -20° to +80° C

Options:

- Enclosure Rating : IP68
- Enclosure Finish : Various colours
- Proximity sensors : 2 Wire - See Data Sheet: 2.11.1
- Beacon Indicator : 3 Way Indication
- Sensor Type : 2 x NBB2-V3-Z4 (2 wire 5 to 60vDC)



Description:

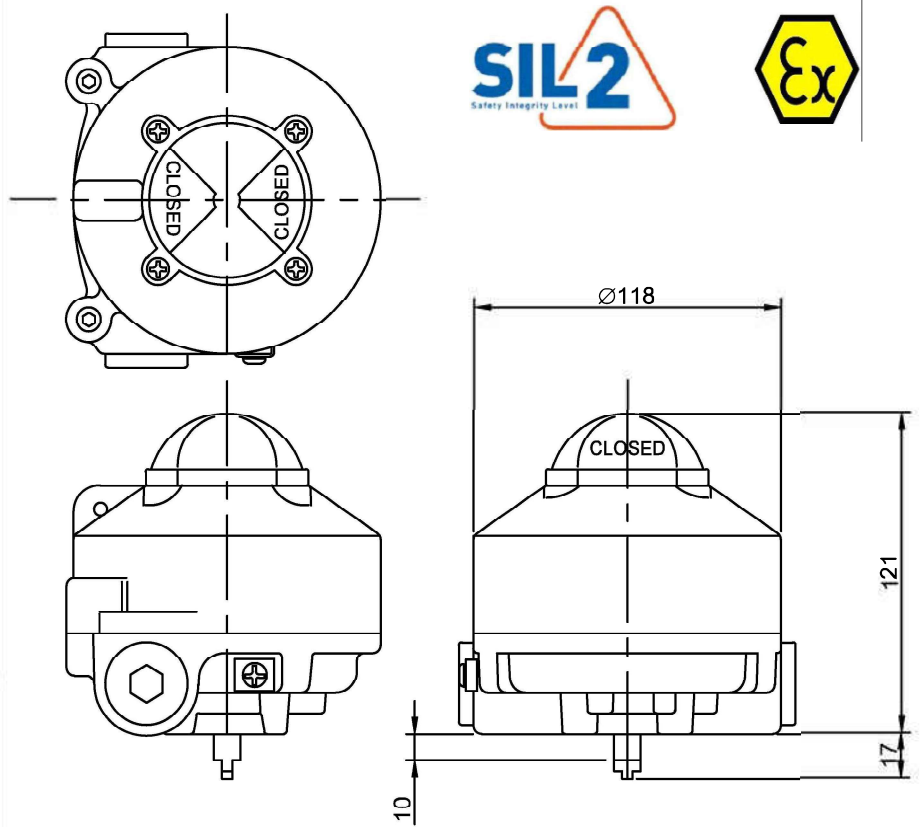
Powder coated Aluminium switchbox to ATEX Eexd IP67 fitted with 2 x SPDT Switches for indication of fully open and fully closed positions. Solid and compact design with high visibility beacon indicator. Captive cover bolts are safely retained during installation and maintenance. A threaded screw down cover ensures IIC rating. The spring loaded splined cams are easily adjustable with no tools required. Dual cable entries are provided. The switchbox is mounted to the actuator using a NAMUR standard stainless steel mounting bracket. The switchbox is minimum SIL 2 rated.

Standard Specification:

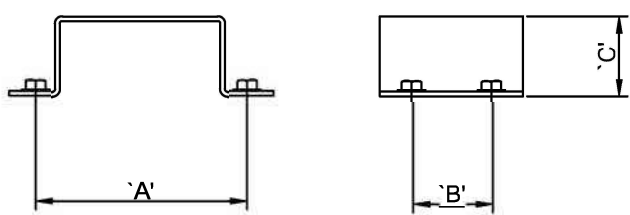
- Enclosure Material : Die Cast Aluminium
- Enclosure Rating : II2G Ex d IIC T6, Gb, II2D Ex tb IIIC T85°C Db IP67
- Enclosure Finish : Polyester Powder Coating (Black)
- Shaft Material : Stainless Steel
- Cable Entries : 2 x M20 (Options: PG13.5, 1/2"NPT, 3/4" NPT & M25)
- Limit Switch Type : 2 x SPDT, Mechanical
- Voltage/Amps : 250V AC/16A, 125V AC/16A, 250VDC/0.3A, 125VDC/0.6A
- Ambient Temperature : -40° to +60° C

Options:

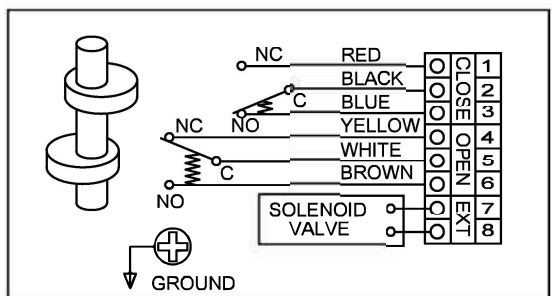
- Enclosure Rating : IP68
- Enclosure Finish : Various colours
- Proximity sensors : See Data Sheets: 2.24.1 & 2.25.1
- Beacon Indicator : 3 Way Indication
- Material : Stainless Steel
- Switch type : 4 x SPDT or 2 x DPDT
- Feedback : 4-20mA Position Transmitter



Mounting Bracket



Bracket	A	B	C	Application
MBP-100	80	30	30	80 x 30 x 20
MBP-200	80	30	40	80 x 30 x 30
MBP-300	130	30	40	130 x 30 x 30
MBP-400	130	30	60	130 x 30 x 50



DATA SHEET No.
2.23.1

ISSUE DATE
FEB 2024

ISSUE REF
D