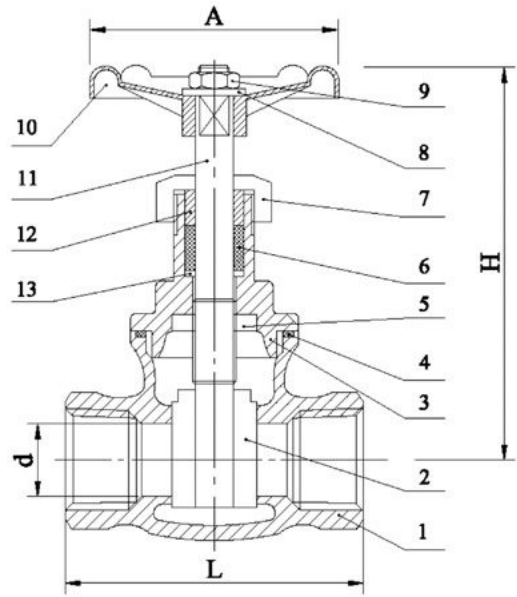


# ETG-GT1

## Screwed Pattern Gate Valve



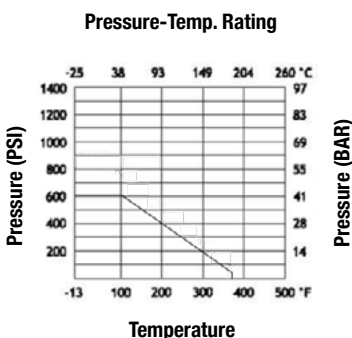
- ASTM A351 CF8M 316 Stainless Steel Body, Bonnet and Wedge.
- 316 Stainless Steel Stem and Trim. Ductile Iron painted Handwheel.
- PTFE Gland Packing and Bonnet Seal.
- Screwed Bonnet. Non-Rising Stem. Solid Wedge.
- 600 psi/g pressure rated.
- -20 / +180 deg C Temp rated.
- BSP and NPT Screwed end connections.
- CE marked (sizes 1.1/4" upward) in accordance with the PED 2014/68/EU

A good all round, robust general purpose Gate Valve. The 600 psi pressure rating is relatively unique as most companies are only able to offer a 200 psi unit. We are able to machine the valve ends to Socket Weld as an optional extra

**BSP Ends - BSP ISO7/1 Rp**

**NPT Ends - ASME B1.20.1**

**Available size range: 1/4" - 3" (BSP) 1/2" - 2" (NPT)**



Item	Part	Material	Qty.
1	Body	CF8M	1
2	Disc	CF8M	1
3	Bonnet	CF8M	1
4	Gasket	PTFE	1
5	Snap Washer	SS316	1
6	Packing	PTFE	1
7	Packing Nut	SS316	1
8	Washer	SS304	1
9	Hand Wheel Nut	SS304	1
10	Hand Wheel	CAST IRON	1
11	Stem	SS316	1
12	Gland	SS304	1
13	Snap Washer	SS304	1

SIZE	d	L	H	A	Kgs
1/4"	10	42	98	65	0.31
3/8"	12	42	98	65	0.3
1/2"	15	53	98	65	0.4
3/4"	20	57	104	77	0.52
1"	25	64	115	77	0.69
1-1/4"	32	73	125	97	1.07
1-1/2"	40	76	137	97	1.36
2"	50	88	160	97	2.08
2-1/2"	65	106	195	127	3.87
3"	80	116	215	127	4.88