

# FLOW CONTROL NEEDLE VALVES DOUBLE ACTING

**210 BAR Rated - Brass**

**300 BAR Rated - 316 Stainless Steel**



## Nickel Plated Brass

Article no.	Size	BSP	Max Pressure BAR	Max Flow LPM
201020	1/8"		210	2*
201010	1/8"		210	10
201011	1/4"		210	20
201012	3/8"		210	30
201013	1/2"		210	50
201014	3/4"		210	90

\* Fine control between 0 & 2 lpm body passivated



## 316 Stainless Steel with viton seals - 300 BAR Rated

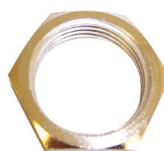
Article no.	Size	BSP	Max Pressure BAR	Max Flow LPM
201060	1/8"		300	10
201061	1/4"		300	20
201062	3/8"		300	30
201063	1/2"		300	60
201069	3/4"		300	90



'MP' PLASTIC HANDLE  
on request interchangeable  
with aluminium knob

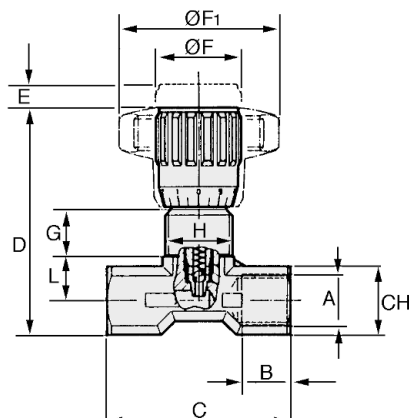
## Panel Mounting Nuts - BRASS

Article no.	Size	BSP
207010	1/8"	
207011	1/4"	
207012	3/8"	
207013	1/2"	
207006	3/4"	



## Materials

Body	Brass - Nickel Plated Or Stainless Steel
Stem	304 Stainless Steel
Stem seal	NITRIL (others on request)
Temp. range	-20 TO +100°C



## Dimensions (mm)

Size	B	C	D	E	F	f1	G	H	L	CH	Weight kg
1/8"	8	40	55	4	22	40	12	m15x1	9.5	15	0.105
1/4"	12	46	57	4.5	22	40	12	m17x1	11	17	0.122
3/8"	13	55	69	7	27	50	11.5	M20x1	15	22	0.233
1/2"	16	70	82	10	33	70	13	M25x1.5	19	27	0.455
3/4"	20	91	100	12	38	80	15	M30x1.5	22	34	0.86