

PRESSURE GAUGE MOUNTING DETAILS



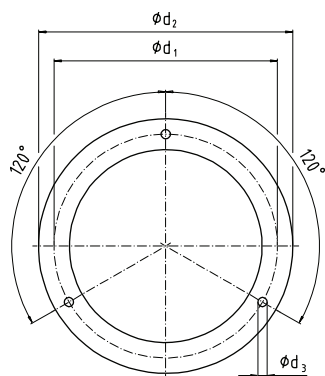
Panel and surface flanges Panel cut-out dimensions

3-hole panel or surface mounting flanges for round case gauges.

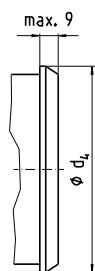
Not applicable for gauges with electrical accessories

3-hole panel mounting flange ¹⁾

Narrow rim bezel with clamp ¹⁾



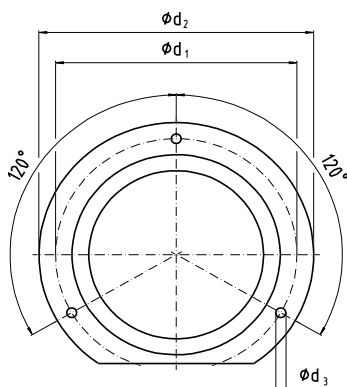
1035 886



1241 800.01



3-hole surface mounting flange ²⁾



1035 894



Dimensions mm

1) Panel cut-out to suit back entry gauges

Size	d_1	d_2	d_3	d_4 max.	Panel cut-out to suit back entry gauges	
					3-hole mounting	Clamp mounting
40	51	61	3.6	44	44 ± 0.3	41.5 + 0.5
50	60	71	3.6	55,5	54 ± 0.3	51 ± 0.5
63	75	85	3.6	69	67 ± 0.3	64.5 + 0.5
80	95	110	4.8	88	84 ± 0.3	82 ± 1
100	116	132	4.8	108	104 ± 0.5	102 + 1
160	178	196	5.8	168	164 ± 0.5	162 + 1
250	270	285	5.8	-	254 ± 0.5	-

2) Some gauges may feature lugs instead of a full size rim.