

In line double-acting flow control valves

FT 2251/2-01

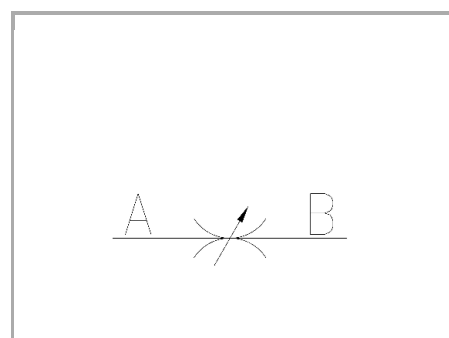
Double-acting flow control valves available from 1/8" to 3/4" BSPP size, max. working pressure 350 Bar, adjustable oil flow rate from 0,5 to 80 Lt./min. (depending on the size)

Double-acting control

In line or panel mounting

Stainless Steel AISI 316

Attacchi: F - F Female - Female



Technical information

Technical description

The valves FT 2251/2-01 allow flow regulation in both directions. Of unmistakable style they are manufactured with materials, also suitable for applications with fluids other than oil (such as: air, gas and liquids in general). The working pressure does not exceed 350 bar. They have the same characteristics as the FT 2257 series: • accurate flow regulation; • efficient metallic sealing; • simple setting of flow rates; • secure against accidental needle lift-out; • secure needle position with locking screw inserted in the knob; • panel mounting provision, for which special lock nuts (G) are supplied on request.

Materials

CORPO VALVOLA / BODY VALVE	Acciaio INOX / Stainless Steel AISI 316
SPILO DI REGOLAZIONE / ADJUSTING NEEDLE	Acciaio/Steel X 10 Cr Ni S 1809-UNI EN 10088-1
GUARNIZIONI / GASKETS	FPM
ANELLI ANTIESTRUSIONE / ANTIEXTRUSION RINGS	PTFE
MANOPOLA TIPO MA - RA / KNOB TYPE MA - RA	GD AISI12 - UNI EN AB 46100
MANOPOLA TIPO MP / KNOB TYPE MP	ABS

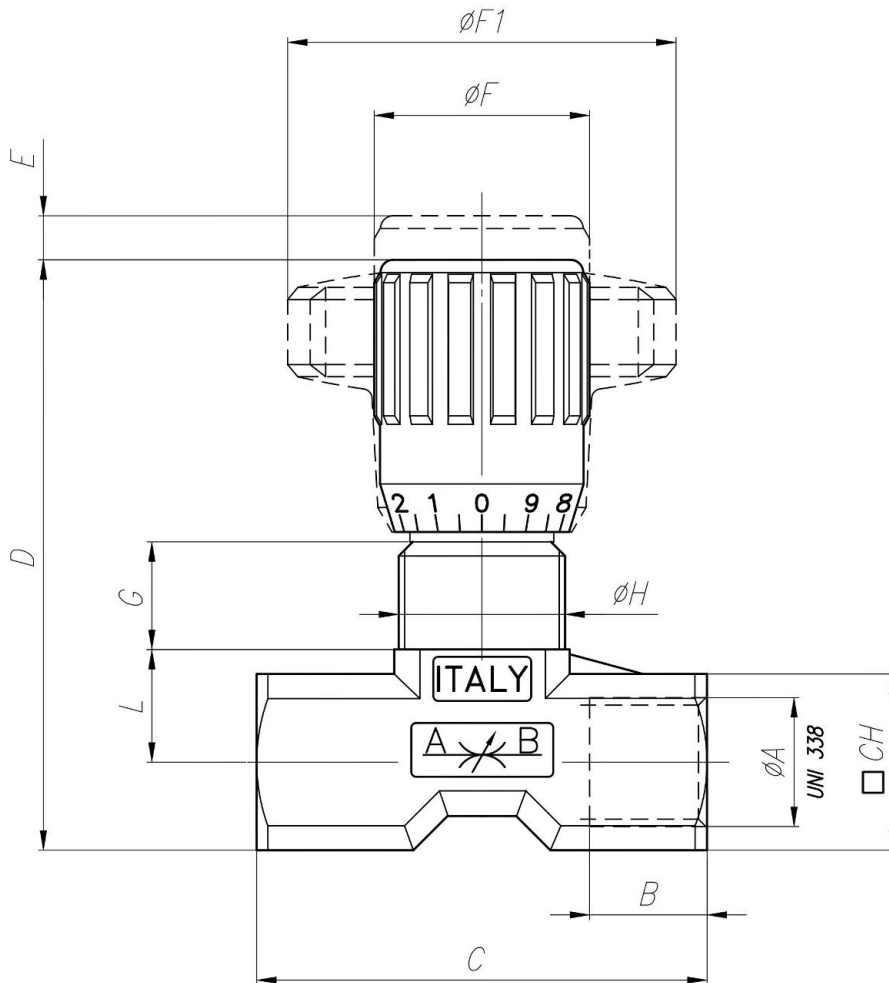
Technical data

CORPO VALVOLA / BODY VALVE	Acciaio INOX / Stainless Steel AISI 316
SPILO DI REGOLAZIONE / ADJUSTING NEEDLE	Acciaio/Steel X 10 Cr Ni S 1809-UNI EN 10088-1
GUARNIZIONI / GASKETS	FPM
ANELLI ANTIESTRUSIONE / ANTIEXTRUSION RINGS	PTFE
MANOPOLA TIPO MA - RA / KNOB TYPE MA - RA	GD AISI12 - UNI EN AB 46100
MANOPOLA TIPO MP / KNOB TYPE MP	ABS



Dimensional tables and drawings

TIPO / TYPE	A UNI 338	B	C	D	E	ϕF	$\phi F1$	G	H	L	CH	PESO / WEIGHT KG
18	1/8" G	8	40	55	4	22	40	12	M15x1	9,5	15	0,105
14	1/4" G	12	46	57	4,5	22	40	11,5	M17x1	11,5	18	0,122
38	3/8" G	13	55	69	7	27	50	12,5	M20x1	15	22	0,233
12	1/2" G	16	70	82	10	33	70	13	M25x1,5	19	27	0,455
34	3/4" G	20	91	100	12	38	80	15	M30x1,5	22	34	0,860





Flow rate curves

