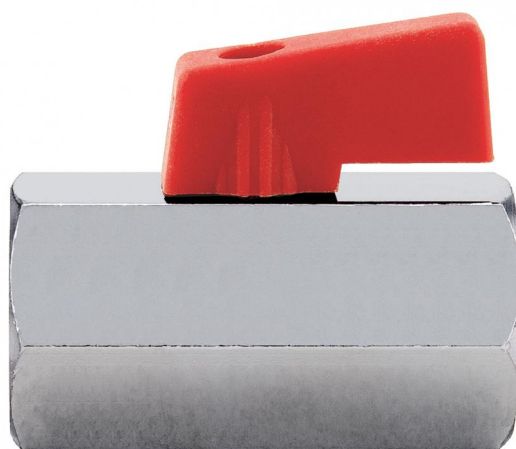




TECHNICAL CATALOGUE

MINI BALL VALVES

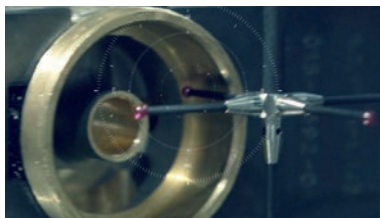
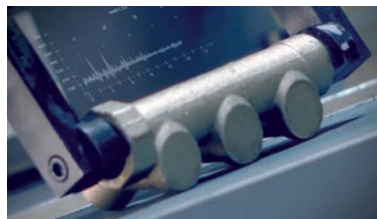
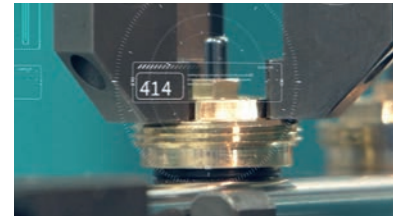
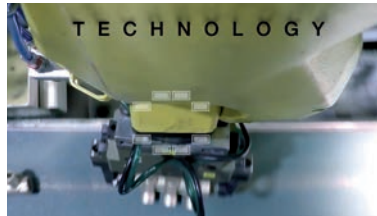


> THE COMPANY

ITAP SpA, founded in Lumezzane (Brescia) in 1972, is currently one of the leading production companies in Italy of **valves, fittings and distribution manifolds** for plumbing and heating systems.

Thanks to fully automated production processes, with 85 transfer machines and 55 assembly lines, we are able to produce 400,000 pieces per day.

Our innate pursuit for innovation and observance of technical regulations is supported by the company certification ISO 9001. The company has always considered its focus on quality as the main tool to obtain significant business results: today ITAP SpA is proud to offer products bearing the approval of numerous international certifying bodies.



> ITAP products have obtained approvals by more than 30 certification bodies from all over the world.

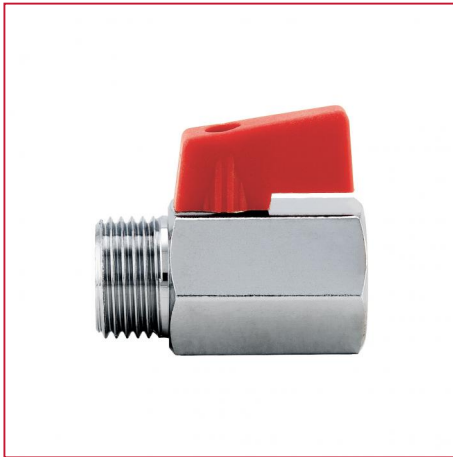




MINI BALL VALVES

126 MINI ball valves

MINI



SIZE	PRESSURE	CODE	PACKING
1/8" (DN 6)	10bar/145psi	1260018/N	20/280
1/4" (DN 8)	10bar/145psi	1260014/N	20/280
3/8" (DN 10)	10bar/145psi	1260038/N	20/280
1/2" (DN 15)	10bar/145psi	1260012/N	20/220
3/4" (DN 20)	10bar/145psi	1260034/N	15/135

CERTIFICATIONS



TECHNICAL SPECIFICATIONS

Male/female threads.

Body in chrome-plated brass.

Lever handle in polymer.

Minimum and maximum temperature: 0°C; 70°C (maximum operating temperature);

90°C (maximum peak temperature).

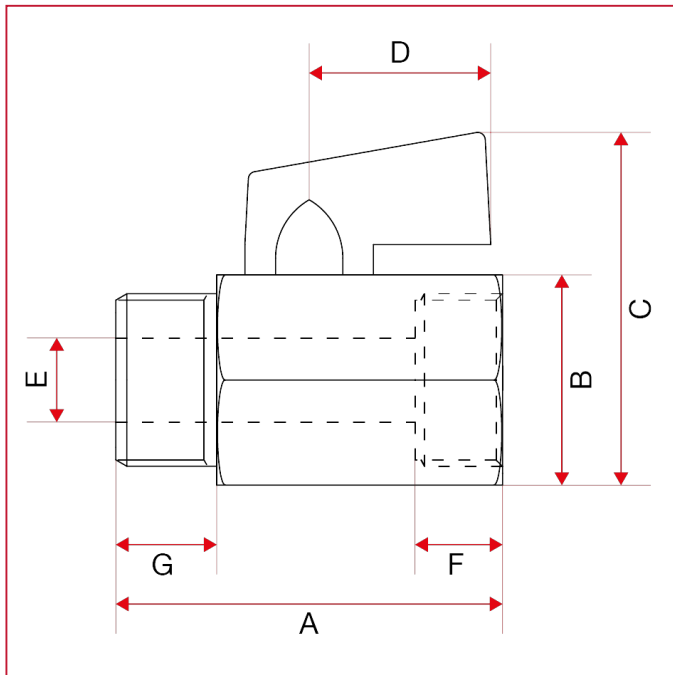
Threads: ISO 228 (equivalent to DIN EN ISO 228 and BS EN ISO 228).

Mention "N" in the code only to order the black handle.



MINI BALL VALVES

OVERALL DIMENSIONS

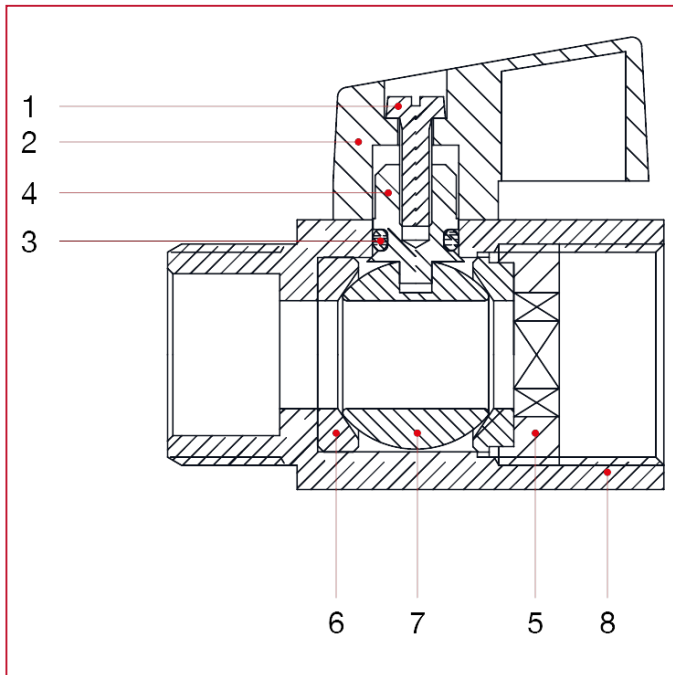


	1/8"	1/4"	3/8"	1/2"	3/4"
DN	6	8	10	15	20
A	39	39	40	45	51
B	20	20	20	24	30
C	36,9	37,2	36,9	41,4	46,9
D	22	22	22	22	22
E	8	8	8	10	13,5
F	10	10,2	9,9	11,6	12,2
G	9	9,2	10,2	12,2	14
Kg/cm ² bar	10	10	10	10	10
LBS - psi	145	145	145	145	145



MINI BALL VALVES

MATERIALS



POS.	DESCRIPTION	N.	MATERIAL
1	Screw	1	Zinc-plated steel Fe
2	Lever handle	1	Polymer
3	Washer	1	NBR
4	Stem	1	Brass CW617N
5	End adapter	1	Brass CW617N
6	Seat	2	P.T.F.E.
7	Ball	1	Chrome-plated brass CW617N
8	Body	1	Chrome-plated brass CW617N