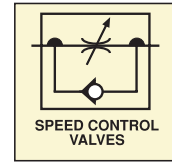


FLOW CONTROL NEEDLE VALVES WITH FREE REVERSE FLOW

210 BAR Rated - Brass
300 BAR Rated - 316 Stainless Steel



FLOW CONTROL VALVES

Nickel Plated Brass

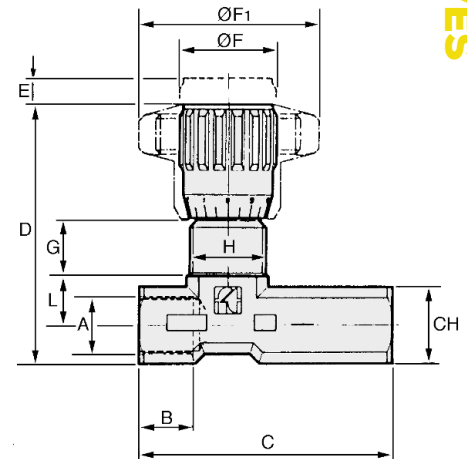
Article no.	Size	BSP	Max Pressure BAR	Max Flow LPM
204015	1/8"		210	2*
204010	1/4"		210	20
204011	3/8"		210	30
204012	1/2"		210	50
204013	3/4"		210	90



* Fine control between 0 & 2 lpm body passivated

Dimensions (mm)

Size	B	C	D	E	F	F1	G	H	L	CH	Weight kg
1/8"	8	46.5	55	4	22	40	12	m15x1	9.5	15	0.110
1/4"	12	56	57	4.5	22	40	12	m17x1	11	17	0.138
3/8"	13	64.5	69	7	27	50	12.5	M20x1	15	22	0.259
1/2"	16	87	82	10	33	70	13	M25x1.5	19	27	0.499
3/4"	20	115	100	12	38	80	15	M30x1.5	22	34	0.975



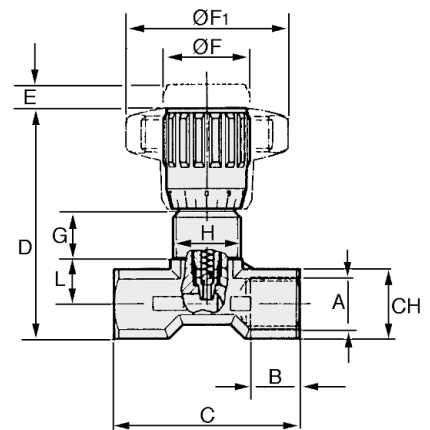
316 Stainless Steel with viton seals - 300 BAR Rated

Article no.	Size	BSP	Max Pressure BAR	Max Flow LPM
224059	1/8"		300	2*
224060	1/4"		300	20
224061	3/8"		300	30
224062	1/2"		300	60
224063	3/4"		300	90



Dimensions (mm)

size	B	C	D	E	F	f1	G	H	L	CH	Weight kg
1/8"	8	40	55	4	22	40	12	m15x1	9.5	15	0.105
1/4"	12	46	57	4.5	22	40	12	m17x1	11	17	0.122
3/8"	13	55	69	7	27	50	11.5	M20x1	15	22	0.233
1/2"	16	70	82	10	33	70	13	M25x1.5	19	27	0.455
3/4"	20	91	100	12	38	80	15	M30x1.5	22	34	0.86

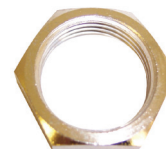


Materials

Body	Brass Nickel Plated Or Stainless Steel
Stem	304 Stainless Steel
Stem seal	NITRIL (Others On Request)
Temp. range	-20 TO +100°C
Control knob	Aluminium or ABS Plastic
Thread	BSP Parallel

Panel Mounting Nuts - BRASS

Article no.	Size	BSP
207010	1/8"	
207011	1/4"	
207012	3/8"	
207013	1/2"	
207006	3/4"	



'MP' PLASTIC HANDLE
 on request interchangeable
 with aluminium knob