

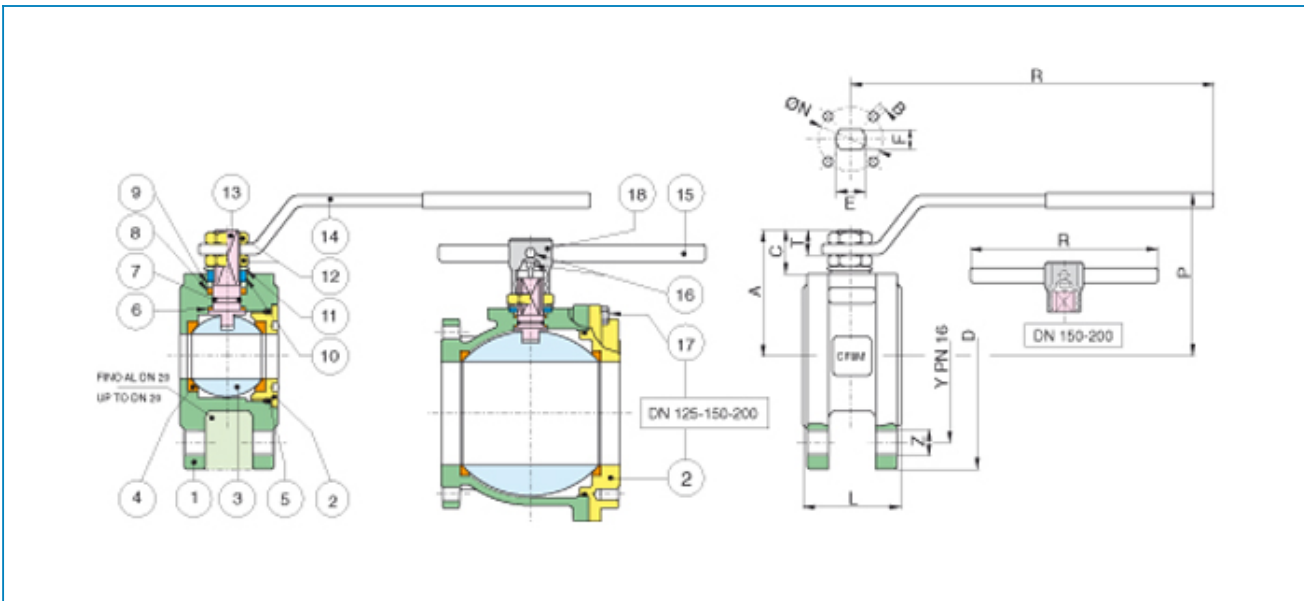


Serie **WAFER PN16.**

Articolo **720000**

AISI 304 CF8

Full bore flanged ball valve PN 16.



Limiti di temperatura: -20° +160° - Temperature range: -20° +160° Vuoto: 10-3 torr. - Vacuum: 10-3 torr.

| POS. | PART NAME | MATERIALE-MATERIALS MATERIAUX-WERKSTOFF- MATERIAL | N°P |
|------|-----------------------|--|------|
| 1 | BODY | A351-CF8 / A182-F304 | 1 |
| 2 | END CONNECTION | A351-CF8 / A182-F304 | 1 |
| 3 | BALL | A351-CF8 / A182-F304 | 1 |
| 4 | BALL SEAT | P.T.F.E.+CARBOGRAFITE | 2 |
| 5 | RING | FKM (VITON®) | 1 |
| 6 | THRUST WASHER | P.T.F.E. | 1 |
| 7 | O-RING | FKM (VITON®) | 1 |
| 8 | STEM SEAT | P.T.F.E. | 1 |
| 9 | PACKING GLAND | CARBON STEEL | 1 |
| 10 | END STOP | INOX AISI 430 (DN15 - DN50) CARBON STEEL DN65 - DN150) | 2-1 |
| 11 | SPRING WASHER | CARBON STEEL | 2 |
| 12 | NUT | CARBON STEEL | 2 |
| 13 | STEM | A182 - F304 | 1 |
| 14 | HANDLE | CARBON STEEL | 1 |
| 15 | HANDLE DN 150-200 | CARBON STEEL | 1 |
| 16 | SCREW | CARBON STEEL | 1 |
| 17 | SCREW | CARBON STEEL | 8-12 |
| 18 | BODY HANDLE DN150-200 | EN-GJL-250 | 1 |

| MISURA SIZE | DN | D | Y | Z | L | R | P | A | C | T | E | F | ØN | B | Kv | PN | Kg |
|-------------|-----|-----|-----|----------|------|-----|-----|-------|------|----|----|----|-----|---------|--------|----|--------|
| 1/2" | 15 | 90 | 65 | 4 X M12 | 35 | 131 | 65 | 47 | 15,5 | 9 | 10 | 7 | 32 | 4 X M5 | 19,2 | 16 | 1,30 |
| 3/4" | 20 | 100 | 75 | 4 X M12 | 40 | 131 | 69 | 51,5 | 15,5 | 9 | 10 | 7 | 32 | 4 X M5 | 35,0 | 16 | 1,90 |
| 1" | 25 | 115 | 85 | 4 X M12 | 46 | 174 | 80 | 61 | 17 | 11 | 12 | 8 | 42 | 4 X M5 | 64,5 | 16 | 2,20 |
| 1"1/4 | 32 | 140 | 100 | 4 X M16 | 54 | 174 | 84 | 64,5 | 15 | 11 | 12 | 8 | 42 | 4 X M5 | 103,8 | 16 | 3,30 |
| 1"1/2 | 40 | 150 | 110 | 4 X M16 | 63,5 | 250 | 102 | 78 | 24,5 | 13 | 16 | 10 | 50 | 4 X M6 | 174,0 | 16 | 4,20 |
| 2" | 50 | 165 | 125 | 4 X M16 | 82 | 250 | 111 | 87 | 25 | 13 | 16 | 10 | 50 | 4 X M6 | 301,3 | 16 | 6,10 |
| 2"1/2 | 65 | 185 | 145 | 4 X M16 | 103 | 321 | 128 | 104,5 | 25 | 18 | 20 | 14 | 70 | 4 X M8 | 545,7 | 16 | 10,00 |
| 3" | 80 | 200 | 160 | 8 X M16 | 122 | 321 | 138 | 115 | 28,5 | 18 | 20 | 14 | 70 | 4 X M8 | 872,5 | 16 | 13,50 |
| 4" | 100 | 220 | 180 | 8 X M16 | 152 | 381 | 156 | 137 | 34,5 | 22 | 24 | 18 | 102 | 4 X M10 | 1363,3 | 16 | 20,90 |
| 5" | 125 | 250 | 210 | 8 X M16 | 196 | 381 | 178 | 159 | 34 | 22 | 24 | 18 | 102 | 4 X M10 | 2360,3 | 16 | 37,50 |
| 6" | 150 | 285 | 240 | 8 X M20 | 232 | 700 | 266 | 201,5 | 51,5 | 30 | 42 | 30 | 125 | 4 X M12 | 3671,1 | 16 | 61,50 |
| 8" | 200 | 340 | 295 | 12 x Ø22 | 400 | 700 | 332 | 288 | 68 | 28 | 42 | 30 | 125 | 4 X M12 | 6816,6 | 16 | 104,00 |