

APPROVED BY

British Gas



EN331



# FEMALE X FEMALE – EN331 NICKEL PLATED BRASS FULL BORE BALL VALVES

**BSP Parallel Threaded – ISO 7/1 Rp – Parallel  
14 – 40 BAR Rated**

Article no. <b>LEVER HANDLE</b>	Size	Max Pressure BAR
108001E	1/4"	40
108002E	3/8"	40
108003E	1/2"	40
108004E	3/4"	40
108005E	1"	40
108006E	1 1/4"	30
108007E	1 1/2"	30
108008E	2"	25
108009	2 1/2"	18
108010	3"	14
108011	4"	14

Article no. <b>T HANDLE</b>
06814
06838
06812
06834
06810

## Materials

Body	Forged Brass - Nickel Plated
Ball	Brass - Chromed
Stem Seal	VITON
Ball Seal	PTFE
Temp. Range	-20 to +60°C
Lever	Flat Steel with Yellow Plastic Sleeve
Tee Handle	Aluminium
Thread	BS21 – ISO7/1Rp Parallel
European Gas Approval To EN331	

## Locking Kit for Flat Lever Ball Valve

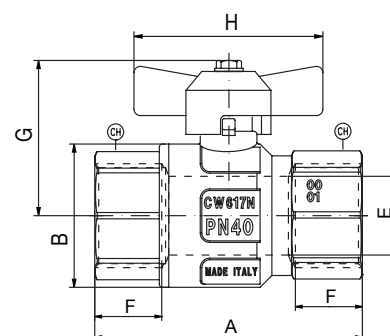
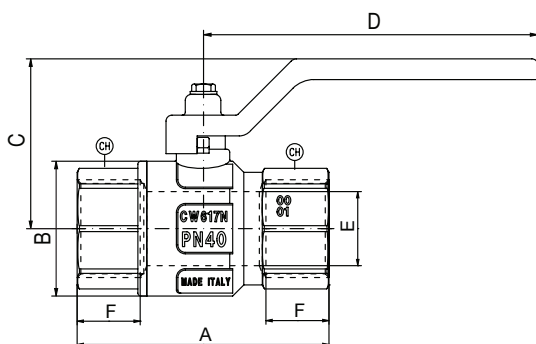


Article no.	Size
084LK01	1/4" - 3/8"
084LK02	1/2"
084LK03	3/4" - 1"
084PP03	Lock Pin
PAD3	Padlock to suit ITAP

## Limit Switch



Article No.	
suffix/LS	1 switch fitted
suffix/LS2	2 switches fitted
LS	switch loose
LSB	bracket only



## Dimensions – Female x Female

Size	1/4"	3/8"	1/2"	3/4"	1"	1 1/4"	1 1/2"	2"
DN	8	10	15	20	25	32	40	50
A (mm)	49.5	52.4	61	68	85	99.5	109	130
B (mm)	23.5	24	30.5	37	45.5	58	71	85
C (mm)	37	37	48.3	54.8	58.8	75	90	97
D (mm)	80	80	88.5	113	113	138	157.8	157.8
E (mm)	10	10	15	20	25	32	40	50
F (mm)	11	11.4	15	16.3	19.1	21.4	21.4	25.7
G (mm)	36.5	36.5	44.3	47.3	51.3			
H (mm)	47	47	54	62	62			
CH (mm)	18	21	25	31	38	47	54	66