

VUBA HOSE BURST VALVES

350 BAR Rated

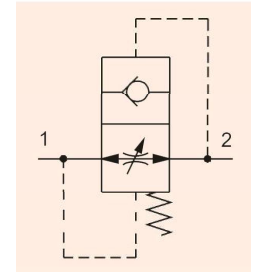


HYDRAULIC VALVES

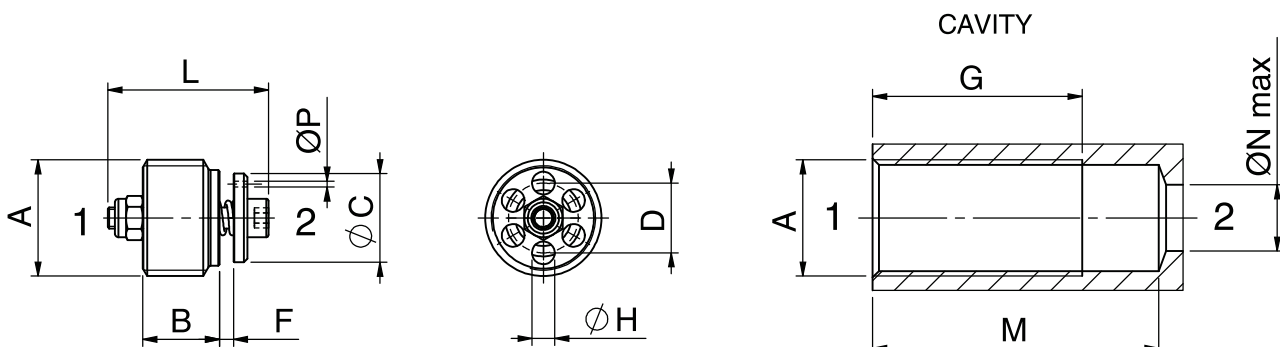
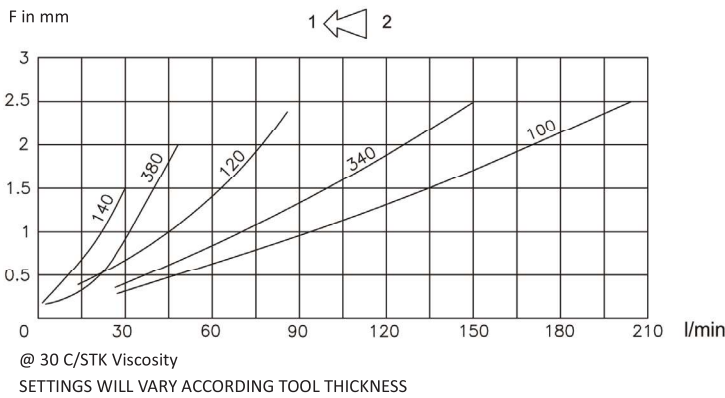
OLEOWEB
Valves and solutions

Article no. Cartridge	Size	Max Pressure BAR	Max Flow l/min
VUBA140	BSPP 1/4	350	25
VUBA380	BSPP 3/8	350	50
VUBA120	BSPP 1/2	350	80
VUBA340	BSPP 3/4	350	150
VUBA100	BSPP 1	350	180

Presetting at additional cost
Additional cost to supply valves with orifice = 5%



Gap Setting Chart



F setting - On request
Orifice on flat poppet - On request

Dimensions (mm)

Code	A	B	C	D	G	H	L	M	N	Tightening torque Nm	Weight kg
VUBA140	BSPP 1/4	8.2	10.4	8	25	2.5	19	35	7	2	0.008
VUBA380	BSPP 3/8	11	12.7	10	30	3.25	23	41	9.5	3	0.014
VUBA120	BSPP 1/2	13	15	11.5	33	4	29	46	12	4	0.025
VUBA340	BSPP 3/4	18	18	14.5	42	5.2	34	55	16	10	0.054
VUBA100	BSPP 1	20	26	19	48	7	40	63	22	12	0.1

VUBA HOSE BURST VALVES - HOUSING

350 BAR Rated



MALE X FEMALE

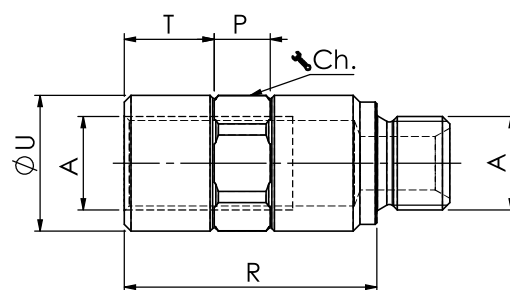
Housing only - add cartridge

Article no.	Valve
61100087	BSPP 1/4
61100088	BSPP 3/8
61100089	BSPP 1/2
61100090	BSPP 3/4
61100091	BSPP 1



Dimensions (mm)

Code	A	R	P	T	U	Ch	Weight kg
VUBA140	BSPP 1/4	39	10	13	20.5	19	0.07
VUBA380	BSPP 3/8	45	10	16	24.5	22	0.10
VUBA120	BSPP 1/2	52	10	19	29.5	27	0.17
VUBA340	BSPP 3/4	61	12	23	35.5	32	0.26
VUBA340	BSPP 1	67	15	25.5	44.5	41	0.4



FEMALE X FEMALE

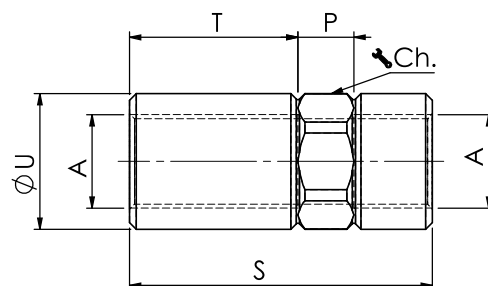
Housing only - add cartridge

Article no.	Size
61100092	BSPP 1/4
61100093	BSPP 3/8
61100094	BSPP 1/2
61100095	BSPP 3/4



Dimensions (mm)

Code	A	S	P	T	U	Ch	Weight kg
VUBA140	BSPP 1/4	48	10	13	20.5	19	0.09
VUBA380	BSPP 3/8	54	10	30	24.2	22	0.11
VUBA120	BSPP 1/2	73	10	46.5	29.2	27	0.20
VUBA340	BSPP 3/4	74	12	44	35.5	32	0.27



Valve Assembly Key

Article no.	A	Weight Kg
61700001	VUBA140	0.12
61700002	VUBA380	0.13
61700003	VUBA120	0.15
61700004	VUBA340	0.18

