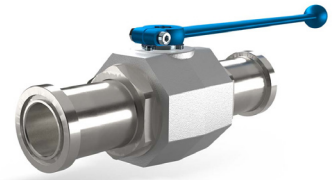


BALL VALVE WITH SAE SPLIT FLANGED ADAPTOR MKH-SAEFS

Carbon Steel – SAE 3000 & 6000 Series



Straight Lever as standard
Cranked Lever available on request



MHA ZENTGRAF
FlowControlTechnology

HIGH PRESSURE BALL VALVES

3000 Series

Article no.	Size	PN (BAR)
9107004	1 1/4"	210
9107005	1 1/2"	210
9107006	2"	210

Split Flanges (pair)

Article no.	Size	PN (BAR)
SF3004	1 1/4"	210
SF3005	1 1/2"	210
SF3006	2"	210

6000 Series

Article no.	Size	PN (BAR)
107013	1 1/4"	420
107014	1 1/2"	420
107015	2"	420

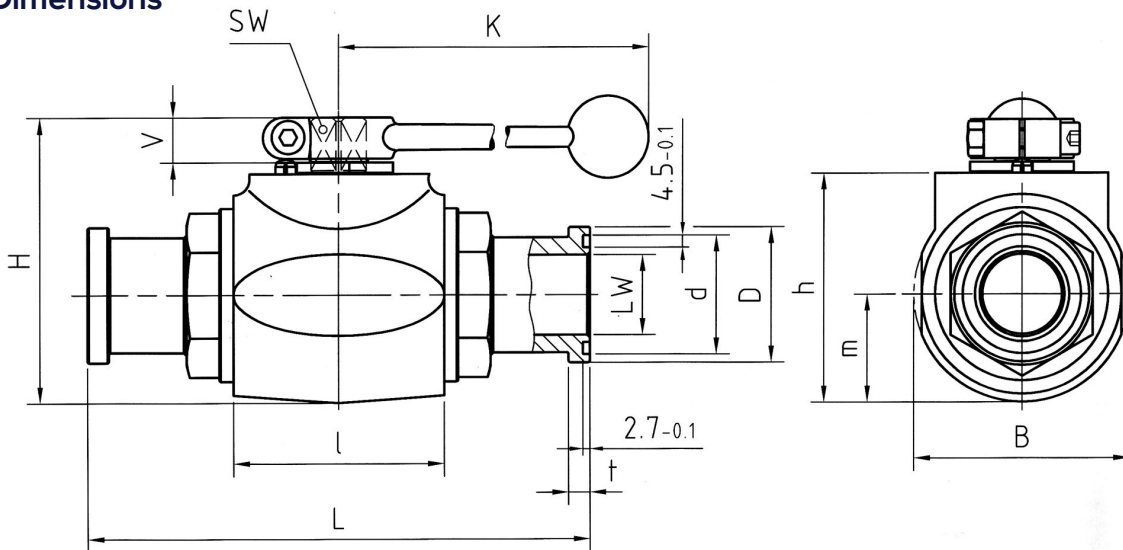
Split Flanges (pair)

Article no.	Size	PN (BAR)
SF6004	1 1/4"	420
SF6005	1 1/2"	420
SF6006	2"	420

Materials

Body	Steel
Ball	Steel
Stem	Steel
Ball seats	POM
O-rings	NBR
Temp. range	-20°C to 100°C

Dimensions



SAE J 518 c 3000 psi

Type	DN	LW	L	I	B	H	h	m	V	SW	K	d _{+/-0.1}	D _{-0.2}	t _{-0.2}	Lever	Kg
MKH	32	30	191	80	81	107	86	40.5	16.5	17	320	44.6	50.8	8.1	Al	4.00
MKH	40	38	231	85	100	124	103	50	16.5	17	320	54.1	60.3	8.1	Al	6.25
MKH	50	48	232	100	118	138	117	59	16.5	17	320	63.6	71.4	9.6	Al	8.80

SAE J 518 c 6000 psi

Type	DN	LW	L	I	B	H	h	m	V	SW	K	d _{+/-0.1}	D _{-0.2}	t _{-0.2}	Lever	Kg
MKH	32	30	223	80	81	107	86	40.5	16.5	17	320	44.6	54	10.4	Al	4.50
MKH	40	38	281	85	100	124	103	50	16.5	17	320	54.1	63.5	12.7	Al	7.20
MKH	50	48	316	100	118	138	117	59	16.5	17	320	63.6	79.4	12.7	Al	10.90

Stainless Steel Version Available on Request

These products are not 'PED Compliant' for use with GAS

Should you have a GAS application please contact our sales office in order that they can check the PED requirements and offer a CE marked suitable product.