

VACUUM BREAKERS VB21

DESCRIPTION

The VB21 vacuum breakers are simple and reliable devices that automatically relieve or "break" an unwanted vacuum condition, restoring the atmospheric pressure.

This device is particularly suitable for steam heated units of small and medium volume, such as heat exchangers, heating coils, calorifiers, jacketed kettles, steam boilers, etc.

USE: Saturated and superheated steam.

AVAILABLE

MODELS: VB21 – female threaded.
VB21M – male threaded.

SIZES: 1/2" x 1/8".

CONNECTIONS: System: vertical connection 1/2".
Air inlet: horizontal connection 1/8".
VB21 – female threaded ISO 7 Rp or NPT.
VB21M – male threaded ISO 228 G.

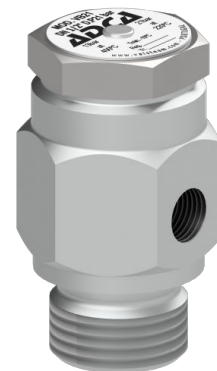
INSTALLATION: Vertical installation with angled connection.
See IMI – Installation and maintenance instructions.

LIMITING

CONDITIONS: 13 bar at 400 °C.
21 bar at 220 °C.

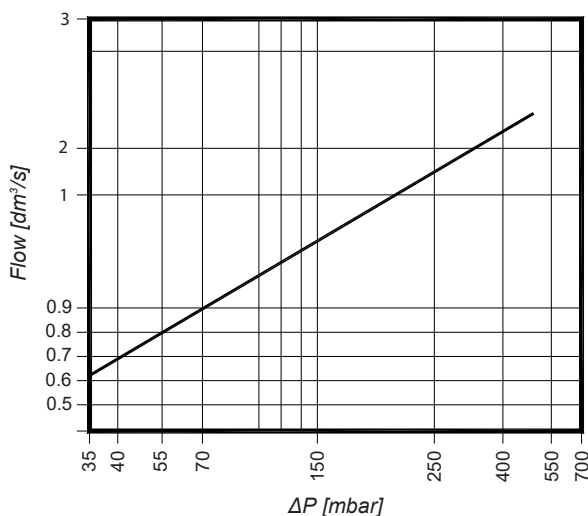


VB21

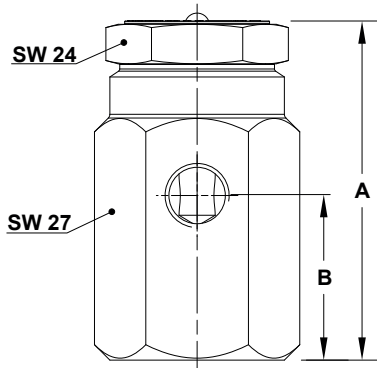


VB21M

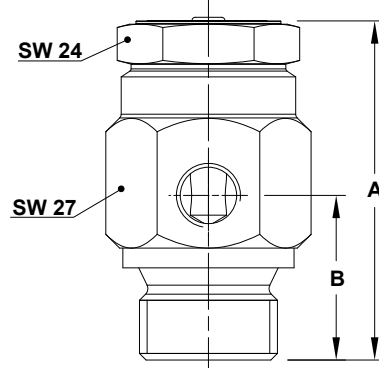
CAPACITY CHART



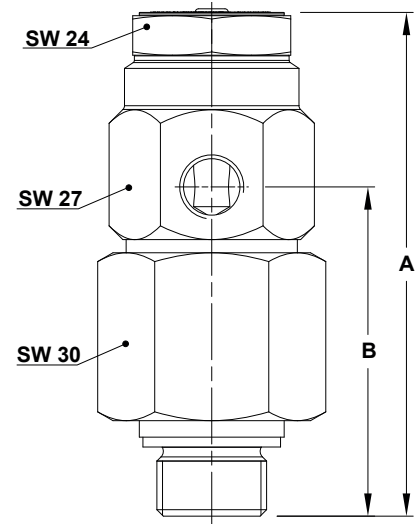
ΔP required to open vacuum breaker: 6,13 mbar.



VB21



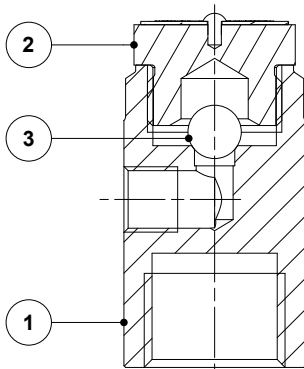
VB21M



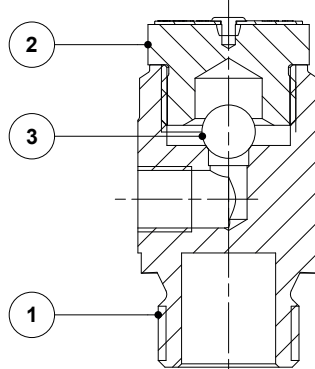
VB21M 3/8"

DIMENSIONS (mm)				
MODEL	SIZE	A	B	WEIGHT (kg)
VB21	1/2"	51	25	0,17
VB21M	1/2"	51	25	0,13
VB21M *	3/8"	76	50	0,29

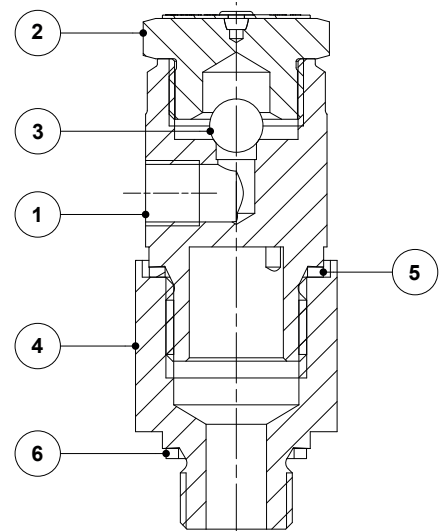
* Special version with adapter fitting 1/2" x 3/8" ISO 228 or NPT.



VB21



VB21M



VB21M 3/8"

MATERIALS		
POS. N°	DESIGNATION	MATERIAL
1	Body	AISI 303 / 1.4305
2	Cover	AISI 303 / 1.4305
3	* Ball valve	Stainless steel
4	Adapter fitting	AISI 303 / 1.4305
5	* Gasket	Copper
6	* Gasket	Copper

* Available spare parts.