

BC 210 12/24V

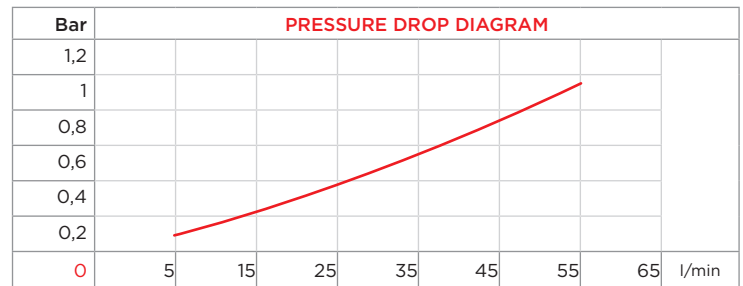
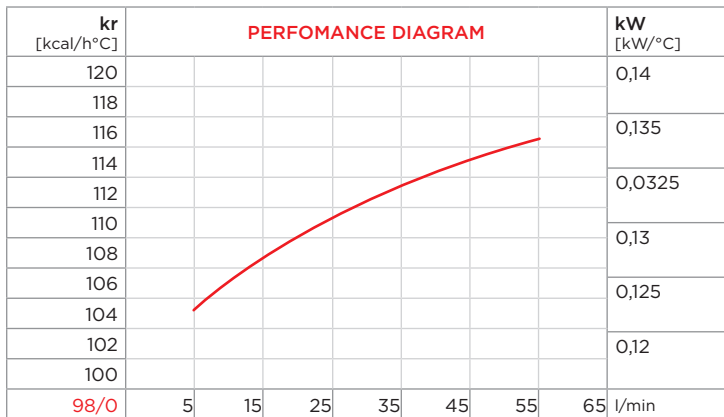


PURCHASE CODES

BC 210 12/24V without thermo switch	3RBC21012 3RBC21024
BC 210 12/24V with thermo switch	3RBC21012T247 3RBC21024T247 3RBC21012T260 3RBC21024T260

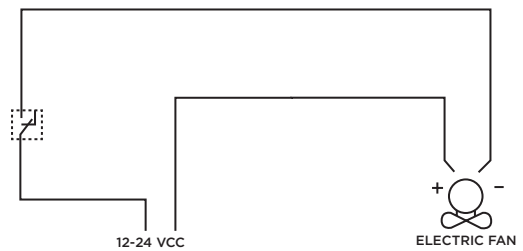
SPARE PARTS

Cooling element	1RO03378
Frame	3CNBC210.1
Electric fan 12V	1MCVA14AP7AC
Electric fan 24V	1MCVA14BP7AC
Thermo-switch 47-36 12V IP 67	1TRM 47-36/12V
Thermo-switch 47-36 24V IP 67	1TRM 47-36/24V
Thermo-switch 60-49 12V IP 67	1TRM 60-49/12V
Thermo-switch 60-49 24V IP 67	1TRM 60-49/24V

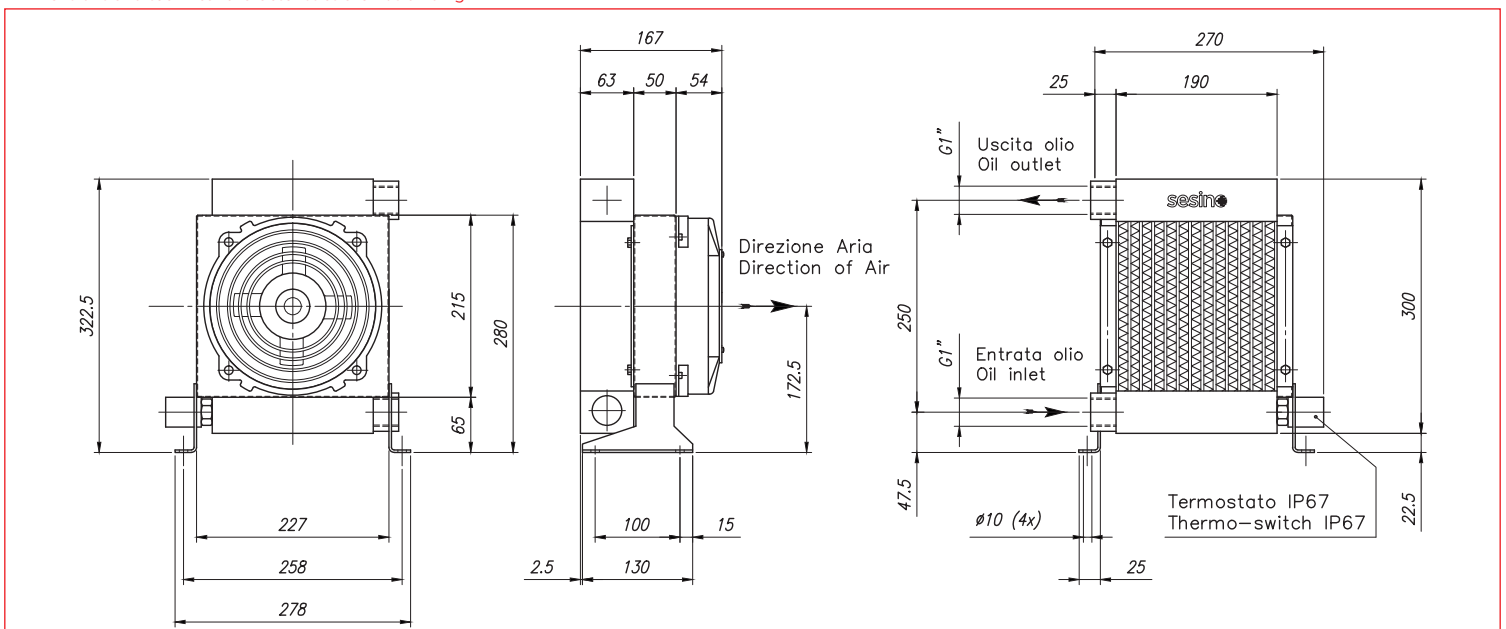


CORRECTION FACTOR

cSt	22	30	46	68	100	150	220
f	0,6	1	1,5	2,3	3,5	5	7



- Dimensions and technical characteristics are not binding



OIL FLOW	VOLTAGE	POWER	CURRENT	AIR FLOW	ELECTRIC PROTECTION	NOISE LEVEL	WEIGHT	Ø FAN
l/min	V	W	A	m³/h	IP	dB(A)	kg	mm
10-80	12	65	5,2	500	64	72	5	190
10-80	24	65	2,6	500	64	72	5	190