

WCB CAST STEEL GATE VALVE

ANSI 150

Handwheel Operated - 2" to 12"

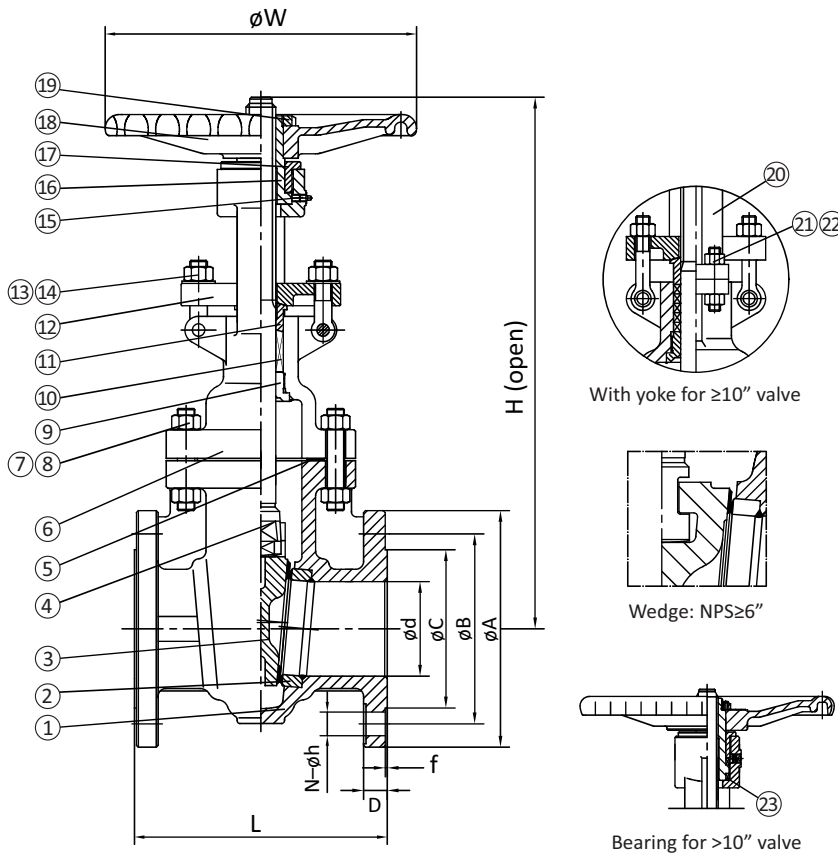


GATE, GLOBE & BUTTERFLY VALVES

	Article no.	Size	Price £	Price €
Handwheel Operated	562721	2"	£452.20	€542.60
	562722	3"	£796.50	€955.80
	562723	4"	£1,189.60	€1,427.50
	562724	6"	£1,874.80	€2,249.70
	562725	8"	£2,859.10	€3,431.00
	562726	10"	£3,940.90	€4,729.00
	562727	12"	£5,586.10	€6,703.30

Technical Data

Basic design	API 600 (2021)
Face to face	ASME B16.5
Flange ends dimension	ASME B16.5
Test & inspection	API 598
Test duration time	API 6D
Nace	MR-0175
Design temperature	-29 to 427°C
Painting system	Manufacturers standard GMS TP 102.02 002



Materials

1 Body	ASTM A216 WCB
2 Seat ring	ASTM A105N+ Stellite 6
3 Disc	ASTM A216 WCB+13CR
4 Stem	ASTM A182 F6A
5 Gasket	316SS + Flexible Graphite
6 Bonnet	ASTM A216 WCB
7 Bolt	ASTM A193 B7
8 Nut	ASTM A194 2H
9 Backseat	ASTM A182 F6A
10 Packing	Flexible Graphite
11 Packing gland	ASTM A182 F6A
12 Gland Flange	ASTM A105N
13 Bolt	ASTM A193 B7
14 Nut	ASTM A194 2H
15 Oil cup	Copper alloy
16 Stem nut	Copper alloy
17 Gland	AISI1035
18 Handwheel	Ductile Iron
19 Handwheel nut	AISI 1035
20 Yoke	ASTM A216 WCB
21 Bolt	ASTM A193 B7
22 Nut	ASTM A194 2H
23 Bearing	Alloy steel

Dimensions (mm)

Size	ϕd	L	H	ϕW	FLANGE							Weight Kg
					ϕA	ϕB	ϕC	D	f	N	ϕh	
2"	51	178	397	200	150	120.7	92.1	16.3	2	4	19	16
3"	76.2	203	492	250	190	152.4	127	19.5	2	4	19	27
4"	102	229	587	280	230	190.5	157.2	24.3	2	8	19	44
6"	152.4	267	762	300	280	241.3	215.9	25.9	2	8	22	71
8"	203.2	292	955	350	345	298.5	269.9	29	2	8	22	105
10"	254	330	1156	400	405	362	323.8	30.6	2	12	25	165
12"	305	356	1378	450	485	431.8	381	32.2	2	12	25	249