

THERMOSTATIC STEAM TRAPS AND AIR VENTS TH35/2 and TH35/3

DESCRIPTION

The TH35 series thermostatic steam traps and air vents are specifically designed for use on process equipment such as kettle cookers, sterilizers, food, chemical and laundry equipment.

MAIN FEATURES

- Modulating discharge.
- Discharges condensate close to steam temperature.
- Excellent air discharge.
- Operates on moderate superheated steam.
- Can operate in any plane.

OPTIONS: Stainless steel construction.

USE: Saturated steam.

AVAILABLE

MODELS: TH35/2 – carbon steel, 2 capsules.
 TH35/3 – carbon steel, 3 capsules.

SIZES: 1" – DN 25.

CONNECTIONS: Female threaded ISO 7 Rp or NPT.
 Flanged EN 1092-1 PN 40.
 Flanged ASME B16.5 Class 150 or 300.
 Socket weld (SW) ASME 16.11.
 Butt weld (BW) ASME B16.25 on request.

INSTALLATION: Horizontal installation recommended, can be installed in any position.
 See IMI – Installation and maintenance instructions.



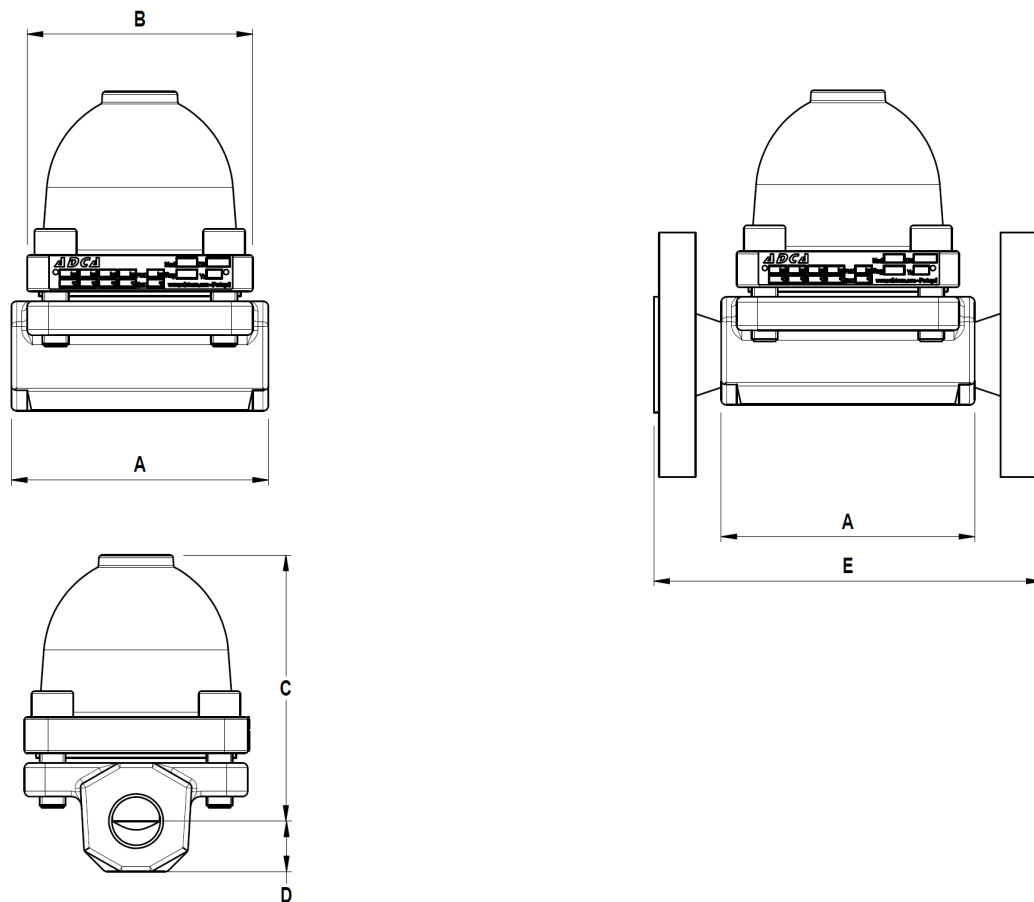
BODY LIMITING CONDITIONS		
FLANGED PN 40 / CLASS 300 *	FLANGED CLASS 150 **	RELATED TEMP.
ALLOW. PRESSURE	ALLOW. PRESSURE	
40 bar	19,3 bar	50 °C
35 bar	15,8 bar	150 °C
30,4 bar	12,1 bar	250 °C
27,6 bar	10,2 bar	300 °C

PMO – Maximum operating pressure: 22 bar;
TMO – Maximum operating temperature: 250 °C;
* Acc. to EN 1092-1:2018; ** Acc. to EN 1759-1:2004.
Body limiting conditions PN 40 or below, depending on the type of connection adopted. Rating PN 40 for threaded, SW and BW versions.

CE MARKING – GROUP 2 (PED – European Directive)	
PN 40	Category
1" – DN 25	SEP

FLOW RATE CAPACITY (kg/h)																
MODEL	SIZE	DIFFERENTIAL PRESSURE (bar)														
		0,2	0,3	0,5	1	1,5	2	3	4	6	8	10	13	15	20	22
TH35/2	1" – DN 25	140	240	280	510	660	770	910	1020	1200	1340	1400	1440	1500	1550	1590
TH35/3	1" – DN 25	210	360	420	765	990	1155	1365	1530	1800	2010	2100	2160	2250	2325	2385

Capacities shown refer to condensate at 5 °C below saturated steam temperature.
Capacities for cold condensate discharge at 20 °C are two to three times greater.



DIMENSIONS (mm)											
THREADED / SW						PN 40		CLASS 150		CLASS 300	
SIZE	A	B	C	D	WEIGHT (kg)	E	WEIGHT (kg)	E	WEIGHT (kg)	E	WEIGHT (kg)
1" – DN 25	98	86	103	20	2,8	160	5,4	160	5	160	6,6

MATERIALS		
POS. N°	DESIGNATION	MATERIAL
1	Body	P250GH / 1.0460
2	Cover	P250GH / 1.0460
3	* Gasket	Stainless steel / Graphite
4	* Valve seat	AISI 304 / 1.4301
5	* Thermostats	Stainless steel
6	* Strainer screen	AISI 304 / 1.4301
7	* Gasket	Copper
8	Bolts	Steel 8.8

* Available spare parts.

