

HUMIDITY SEPARATORS

S25/S PN 63

DESCRIPTION

The S25 series centrifugal separators remove moisture from steam and compressed air pipelines. Steam and compressed air pass through the separator and, as a result of centrifugal forces, impacts and swirling effects, the particles with a heavier specific gravity, such as water and oil droplets, moisture in suspension, dirt and scale are separated from the fluid.

The condensate collected at the bottom of the separator must be automatically drained by a suitable steam or compressed air trap.

MAIN FEATURES

Several possibilities of installation.

No moving parts.

Maintenance-free design.

OPTIONS: Flanged condensate connection.

USE: Steam, compressed air and other gases.

AVAILABLE

MODELS: S25/S – carbon steel.

SIZES: DN 15 to DN 200.

CONNECTIONS: Flanged EN 1092-1 PN 63.
Flanged ASME B16.5 Class 600 on request.
Socket weld (SW) ASME 16.11.

INSTALLATION: Always with the condensate discharge pointing downwards.
See IMI – Installation and maintenance instructions.



CE MARKING – GROUP 2 (PED – European Directive)

| PN 63 | Category |
|---------------|---------------|
| DN 15 to 25 | 1 (CE marked) |
| DN 32 to 50 | 2 (CE marked) |
| DN 65 to 125 | 3 (CE marked) |
| DN 150 to 200 | 4 (CE marked) |

BODY LIMITING CONDITIONS *

FLANGED PN 63 / CLASS 600

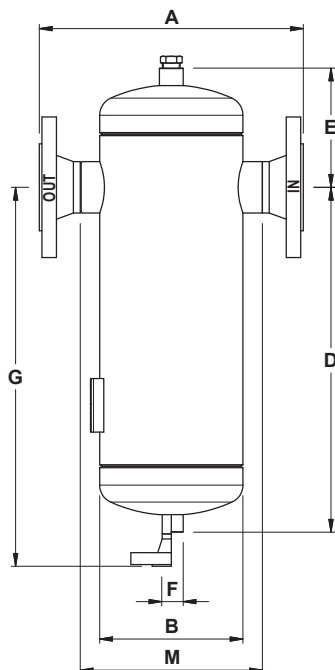
| ALLOWABLE PRESSURE | RELATED TEMPERATURE |
|--------------------|---------------------|
| 58 bar | 100 °C |
| 47 bar ** | 261 °C |
| 43 bar | 300 °C |

* Rating according to EN 1092-1:2018.

** PMO – Max. operating pressure for saturated steam.

Minimum operating temperature: -10 °C.

Design code: AD-Merkblatt.



APPROXIMATE DIMENSIONS (mm) *

| SIZE | A | B | D | E | F *** | G | VOLUME (L) | WEIGHT (kg) | M (SW) | WEIGHT (kg) |
|----------|-----|-----|-----|-----|-------|-----|------------|-------------|--------|-------------|
| DN 15 ** | 245 | 114 | 230 | 125 | 1/2" | 254 | 2 | 5,5 | 200 | 4,5 |
| DN 20 ** | 245 | 114 | 222 | 133 | 1/2" | 250 | 2,5 | 6,5 | 190 | 4,6 |
| DN 25 ** | 265 | 114 | 254 | 136 | 1/2" | 280 | 3 | 7,8 | 205 | 5,5 |
| DN 32 ** | 295 | 140 | 330 | 145 | 1/2" | 356 | 5 | 12,8 | 238 | 8,8 |
| DN 40 ** | 295 | 140 | 368 | 147 | 1/2" | 394 | 5,7 | 14,4 | 245 | 9,7 |
| DN 50 | 340 | 168 | 415 | 170 | 1/2" | 450 | 10,5 | 20,6 | 300 | 15,6 |
| DN 65 | 410 | 219 | 433 | 197 | 3/4" | 482 | 18,5 | 33 | - | - |
| DN 80 | 430 | 219 | 485 | 205 | 3/4" | 532 | 25 | 39 | - | - |
| DN 100 | 500 | 273 | 533 | 262 | 3/4" | 593 | 35,4 | 58,5 | - | - |
| DN 125 | 590 | 324 | 627 | 302 | 1" | 693 | 50 | 83 | - | - |
| DN 150 | 625 | 356 | 727 | 317 | 1" | 773 | 75 | 155 | - | - |
| DN 200 | 680 | 406 | 842 | 412 | 1" | 910 | 140 | 178 | - | - |

* For certified values, consult manufacturer; ** Supplied with PN 100 flanges

*** As standard, in separators manufactured with EN 1092-1 flanges, the drain connection is female threaded ISO 7 Rp. In models with ASME B16.5 flanges or SW connections, this connection is female threaded NPT. Alternatively, EN 1092-1 or ASME B16.5 flanged drain connections can be supplied (ASME in the same class as main connections).

Remarks: The top of the separator is supplied with a threaded connection which size does not exceed the size of the drain connection. This connection is always supplied with a threaded socket. It can be used for air venting or sensing pipe connection.

MATERIALS

| DESIGNATION | MATERIAL |
|----------------------|--------------------|
| Body | P235GH / 1.0305 |
| Heads | P265GH / 1.0425 |
| Inlet / outlet pipes | P235GH / 1.0305 |
| EN flanges | P250GH / 1.0460 |
| ASME flanges | ASTM A105 / 1.0432 |
| Sockets | ASTM A105 / 1.0432 |
| Internals | S235JR / 1.0038 |

FLANGE CONNECTIONS

| Rating | Size | EN Standard | ASME Standard |
|--------|-----------------|------------------|--------------------|
| PN 63 | DN 15 to DN 40 | EN 1092-1 PN 100 | ASME B16.5 Cl. 600 |
| PN 63 | DN 50 to DN 200 | EN 1092-1 PN 63 | ASME B16.5 Cl. 600 |