

FLASH VESSELS RV

DESCRIPTION

The flash vessel is the main component in any flash recovery system. It can be used in all steam plants where high pressure condensate is reduced to a lower pressure, so that flash steam is formed by re-evaporation. Flash steam can be used in low pressure processes or heating equipment.

MAIN FEATURES

Several possibilities of installation and special sizes and types (available on request).

OPTIONS: Complete stainless steel construction.
Installation supports on body (without supporting feet).

USE: High pressure condensate.
Boiler blowdown heat recovery systems.

AVAILABLE MODELS: RV...A/S; RV...L/S – carbon steel.
RV...A/SS; RV...L/SS – stainless steel.
(A – angle; L – inline connections).

SIZES: RV06, RV08, RV12, RV16 and RV18.

CONNECTIONS: Flanged EN 1092-1 PN 16.
Special flanges on request.

INSTALLATION: Vertical installation with the flash steam outlet at the top.
Horizontal condensate inlet and vertical outlet (RV...A).
Horizontal condensate inlet and outlet (RV...L).
See IMI – Installation and maintenance instructions.



RV...A



RV...L

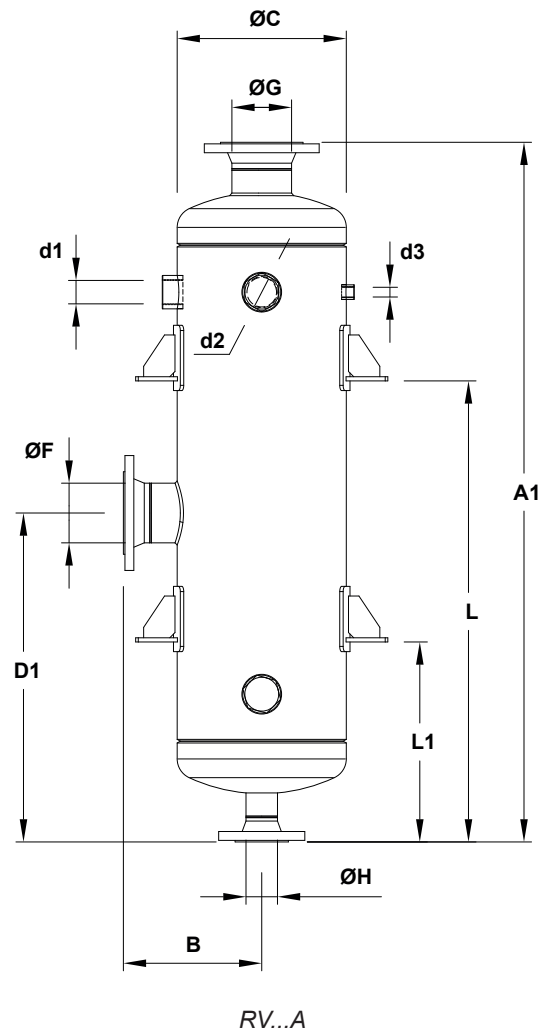
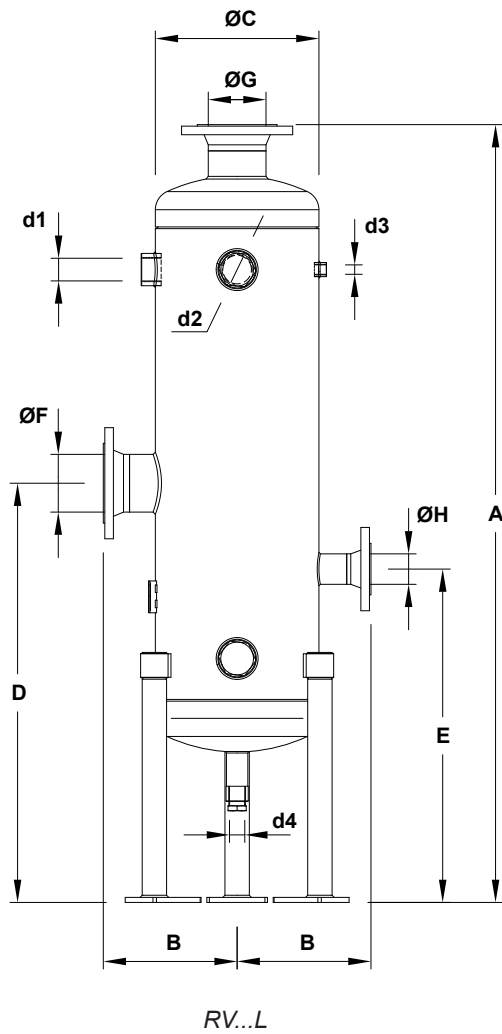
**CE MARKING – GROUP 2
(PED – European Directive)**

PN 16	Category
RV06 and RV08	2 (CE marked)
RV12, RV16 and RV18	3 (CE marked)

LIMITING CONDITIONS

RV/S						RV/SS					
RATING	ALLOW. PRESS.	RELAT. TEMP.	RATING	ALLOW. PRESS.	RELAT. TEMP.	RATING	ALLOW. PRESS.	RELAT. TEMP.	RATING	ALLOW. PRESS.	RELAT. TEMP.
PN 16 *	16 bar	50 °C	CLASS 150 **	16 bar	50 °C	PN 16 *	16 bar	50 °C	CLASS 150 **	15,3 bar	50 °C
	14 bar	100 °C		14 bar	100 °C		15 bar	100 °C		13,3 bar	100 °C
	13 bar	195 °C		13 bar	195 °C		12,7 bar	200 °C		11,1 bar	200 °C
	12 bar	250 °C		–	–		12 bar	250 °C		–	–

* Rating according to EN 1092-1:2018; ** Rating according to EN 1759-1:2004; PMO – Maximum operating pressure for saturated steam: 13 bar.
Minimum operating temperature: -10 °C; Design code: AD-Merkblatt.



APPROXIMATE DIMENSIONS (mm) *

MODEL	A	A1	B	Ø C	D	D1	E	Ø F	Ø G	Ø H	L	L1	d1 **	d2 **	d3 **	d4 **	WGT. (kg)
RV06	1400	1200	185	170	800	600	635	50	50	50	853	-	3/4"	2"	1/2"	1"	36
RV08	1500	1300	210	220	810	610	645	80	80	50	910	-	1"	2"	1/2"	1"	56
RV12	1540	1340	265	325	830	630	660	100	100	50	883	-	1 1/2"	2"	1/2"	1"	92
RV16	1660	1460	310	410	930	730	725	150	150	80	-	480	1 1/2"	2"	1/2"	1 1/2"	146
RV18	1610	1410	330	460	965	765	755	150	150	80	-	485	2"	2"	1/2"	1 1/2"	174

* For certified values, consult manufacturer. Volume and weight refer to EN flanged versions. Other versions may have slightly different values.
 ** As standard, in versions manufactured with EN 1092-1 flanges, these connections are female threaded ISO 7 Rp. In versions with ASME B16.5 flanges, these connections are female threaded NPT.
 Remarks: Consult manufacturer for correct flash vessel selection and system design, including all the necessary equipment. Information such as condensate flow rate and temperature when arriving to the flash vessel as well as required flash steam pressure are mandatory for correct sizing.

MATERIALS

DESIGNATION	RV/S	RV/SS
Heads and shell	P265GH / 1.0425; P235GH / 1.0345	AISI 316 / 1.4401; AISI 316L / 1.4404
Inlet / outlet pipes	P235GH / 1.0345	AISI 316 / 1.4401
EN flanges	P250GH / 1.0460	AISI 316 / 1.4401
ASME flanges	ASTM A105 / 1.0432	AISI 316 / 1.4401
Sockets	ASTM A105 / 1.0432	AISI 316 / 1.4401
Supports	S235JR / 1.0038	AISI 304 / 1.4301