

## FLOAT AND THERMOSTATIC STEAM TRAPS FLT16

### DESCRIPTION

The FLT16 is a series of float and thermostatic steam traps with integral air vent designed for modulating discharge of condensate, ensuring maximum system heat transfer. Typical applications include unit heaters, heat exchangers, dryers, jacketed vessels and other applications where continuous discharge is essential.

### MAIN FEATURES

Modulating discharge of condensate at steam temperature.  
Unaffected by sudden or wide load and pressure variations.  
No backing-up with condensate.  
Excellent air discharge through its integrated air vent.

OPTIONS:

- Equalizing (vent) and drain connections.
- SLR – Steam lock release.
- HVV – Hand vent valve.
- BDV – Blowdown valve.
- AFZ – Anti-freeze device.
- VB21M – Vacuum breaker.

USE: Saturated and superheated steam.

AVAILABLE MODELS: FLT16-4,5 , 10 and 14 – SG iron.

SIZES: 1/2" and 3/4"; DN 15 and DN 20.

CONNECTIONS: Female threaded ISO 7 Rp or NPT.  
Flanged EN 1092-2 PN 16.

INSTALLATION: Horizontal installation from right to left (R-L).  
See IMI – Installation and maintenance instructions.  
On request: horizontal installation from left to right (L-R) or vertical from top to bottom (V).

MAX. ΔP:

- FLT16-4,5 – 4,5 bar
- FLT16-10 – 10 bar
- FLT16-14 – 14 bar



#### BODY LIMITING CONDITIONS \*

ALLOWABLE PRESSURE	RELATED TEMPERATURE
16 bar	100 °C
15,5 bar	150 °C
14,7 bar	200 °C
13,9 bar	250 °C

PMO – Maximum operating pressure: 14 bar.

TMO – Maximum operating temperature: 198 °C.

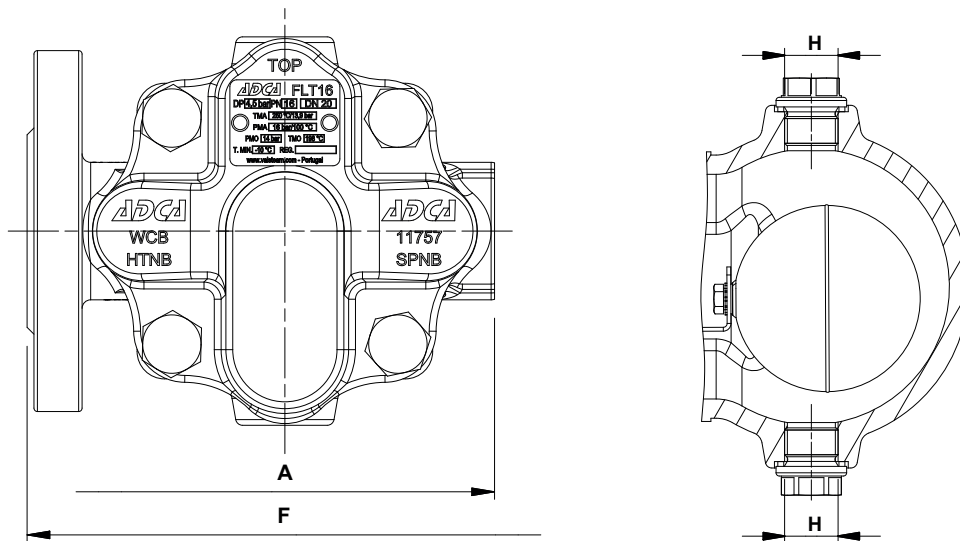
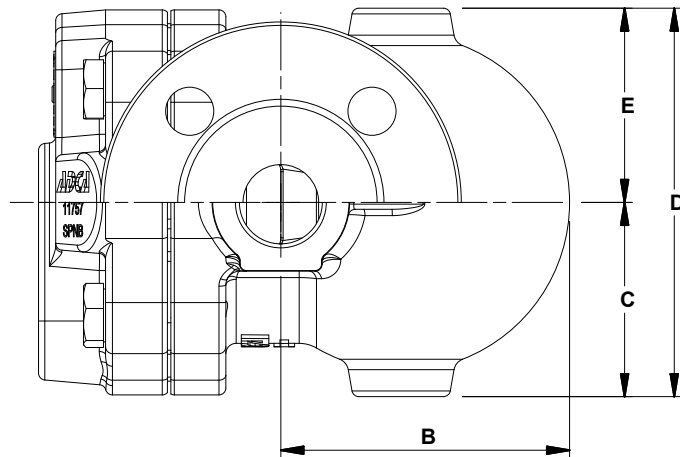
\* According to EN 1092-2:2018.

#### CE MARKING – GROUP 2 (PED – European Directive)

PN 16	Category
1/2" and 3/4" – DN 15 and 20	SEP

FLOW RATE CAPACITY (kg/h)

MODEL	SIZE	DIFFERENTIAL PRESSURE (bar)												
		0,5	1	1,5	2	3	4,5	6	7	8	9	10	12	14
FLT16-4,5	1/2" and 3/4" – DN 15 and 20	200	280	320	360	400	495	–	–	–	–	–	–	–
FLT16-10	1/2" and 3/4" – DN 15 and 20	110	140	175	190	230	280	300	330	350	390	405	–	–
FLT16-14	1/2" and 3/4" – DN 15 and 20	70	100	120	140	155	190	210	220	225	230	260	280	300

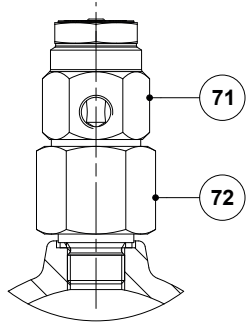
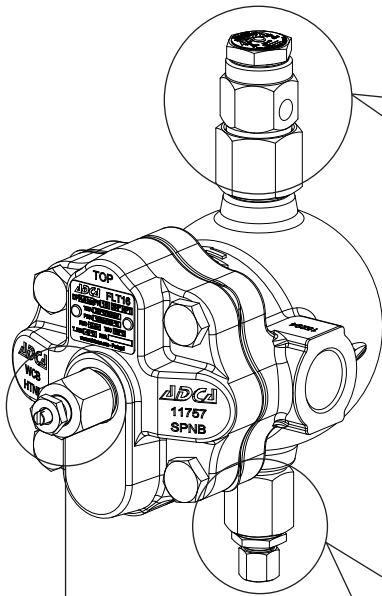
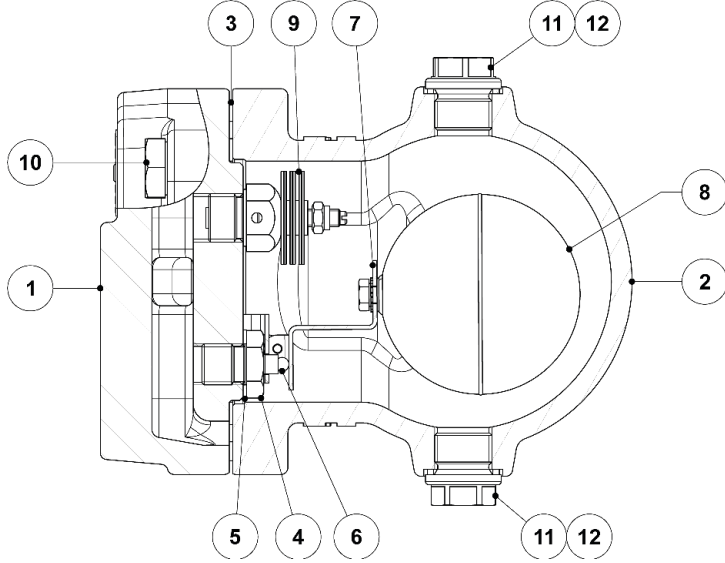


DIMENSIONS (mm)

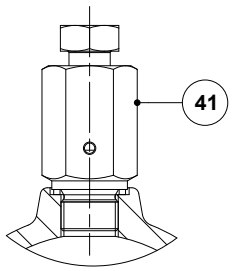
SIZE	THREADED							PN 16		
	A	B	C	D	E	H *	WEIGHT (kg)	E	F	WEIGHT (kg)
1/2" – DN 15	122	84	56,5	113	56,5	3/8"	4,2	56,5	150	4,9
3/4" – DN 20	122	84	56,5	113	56,5	3/8"	4,2	56,5	150	5,3

\* As standard, in versions with EN flanges or female ISO 7 Rp threads, these connections are female threaded ISO 228. In versions with ASME flanges or female NPT threads, these connections are female threaded NPT

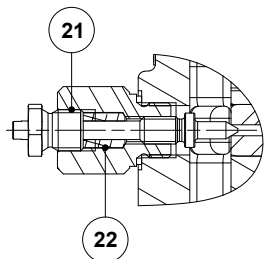
MATERIALS



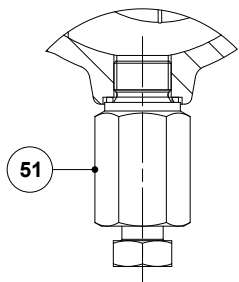
VB21M - Vacuum breaker



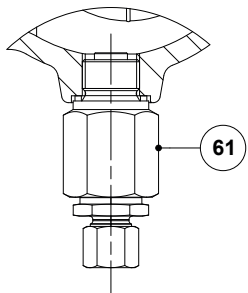
HVV - Hand vent valve



SLR - Steam lock release



BDV - Blowdown valve  
(Manual)



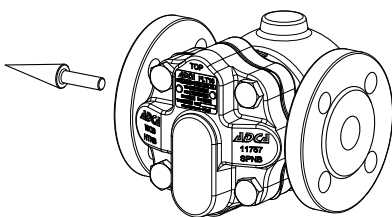
AFZ - Anti-freeze device  
(Automatic)

**MATERIALS**

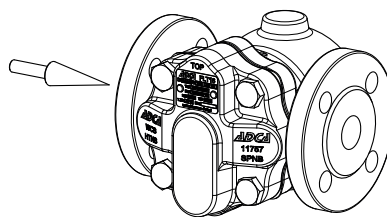
POS. N°	DESIGNATION	MATERIAL
1	Body	GJS-400-15 / 0.7040
2	Cover	GJS-400-15 / 0.7040
3	* Gasket	Stainless steel / Graphite
4	* Seat	AISI 410 / 1.4006
5	* Gasket	AISI 304 / 1.4301
6	* Valve	AISI 440C / 1.4125
7	* Lever	AISI 304 / 1.4301
8	* Float	AISI 304 / 1.4301
9	* Automatic air vent	Stainless steel; Bimetal
10	Bolts	Zinc plated steel
11	Plug	AISI 316L / 1.4404
12	Gasket	Copper; AISI 304 / 1.4301
21	Steam Lock Release	AISI 420 / 1.4021; AISI 316L / 1.4404
22	Packing	Graphite
41	Hand vent valve	AISI 303 / 1.4305; AISI 316L / 1.4404
51	Blowdown valve	AISI 303 / 1.4305; AISI 316L / 1.4404
61	Anti-freeze device	AISI 303 / 1.4305; AISI 316L / 1.4404
71	Vacuum breaker	AISI 303 / 1.4305
72	Connector	AISI 316L / 1.4404

\* Available spare parts.

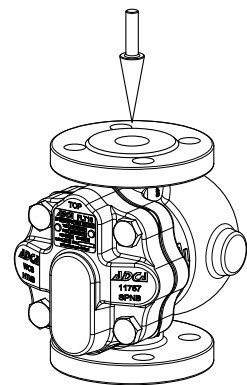
**FLOW DIRECTION**



*IR - Horizontal from right to left*



*IL - Horizontal from left to right*



*IT - Vertical from top to bottom*



ORDERING CODES FLT16									
Model	A16	2	V	XX	X	IR	A	15	
FLT16	A16								
<b>Differential pressure</b>									
4,5 bar		2							
10 bar		3							
14 bar		4							
<b>Automatic air vent</b>									
Bimetallic air vent (standard)			V						
None			X						
<b>Cover connections</b>									
None					XX				
3/8" threaded connections on top and bottom, closed with plugs (mandatory if any options are considered) *					10				
<b>Options</b>									
If any, these have specific separate ordering codes, please refer to the appropriate documentation.									
<b>SLR - Steam lock release</b>									
None						X			
With steam lock release assembled						S			
<b>Flow direction</b>									
Inline horizontal from right to left (standard)							IR		
Inline horizontal from left to right							IL		
Inline vertical from top to bottom							IT		
<b>Pipe connections</b>									
Female threaded ISO 7 Rp								A	
Female threaded NPT								C	
Flanged EN 1092-2 PN 16								L	
<b>Size</b>									
1/2" or DN 15									15
3/4" or DN 20									20
<b>Special valves / Extras</b>									
Full description or additional codes have to be added in case of a non-standard combination									E

\* Not recommended with vertical flow direction, as the connections will be in the horizontal plane.