

THERMODYNAMIC STEAM TRAPS DT40/2

DESCRIPTION

The thermodynamic DT40/2 disc steam traps are compact and lightweight-easy to install traps, excellent for high pressure systems, including steam tracing applications.

The insulation cover ensures a consistent operation and makes it particularly suitable for those applications where the weather conditions, such as rain and wind, may affect the normal operation. These traps have only one moving part and offer a wide operating range, without adjustment.

MAIN FEATURES

- Intermittent discharge.
- Integral air vent.
- Standard insulation cover.
- Operates on superheated steam.
- The seat and disc can be easily replaced in field without removing the trap from the line.
- Unaffected by water hammer and vibrations.
- Built-in easy-to-clean strainer.

USE: Saturated and superheated steam.

AVAILABLE MODELS: DT40/2 – stainless steel.

SIZES: 3/8" to 1"; DN 10 to DN 25.

CONNECTIONS: Female threaded ISO 7 Rp or NPT.
Flanged EN 1092-1 PN 40.
Flanged ASME B16.5 Class 150 or 300.
Socket weld (SW) ASME B16.11.
Butt weld (BW) ASME B16.25 on request.

INSTALLATION: Horizontal or vertical installation.
See IMI – Installation and maintenance instructions.



CE MARKING – GROUP 2 (PED – European Directive)	
PN 63	Category
3/8" to 1" – DN 10 to 25	SEP

BODY LIMITING CONDITIONS				
FLANGED CLASS 150 **	FLANGED CLASS 300 **	FLANGED PN 40 *	THREADED / SW / BW *	RELATED TEMP.
ALLOWABLE PRESSURE	ALLOWABLE PRESSURE	ALLOWABLE PRESSURE	ALLOWABLE PRESSURE	
15,3 bar	39,9 bar	40 bar	63 bar	50 °C
13,3 bar	34,4 bar	37,9 bar	57,3 bar	100 °C
11,1 bar	28,8 bar	31,8 bar	47,1 bar	200 °C
9,7 bar	25,2 bar	27,6 bar	40,5 bar	300 °C

PMO – Maximum operating pressure: 40 bar;

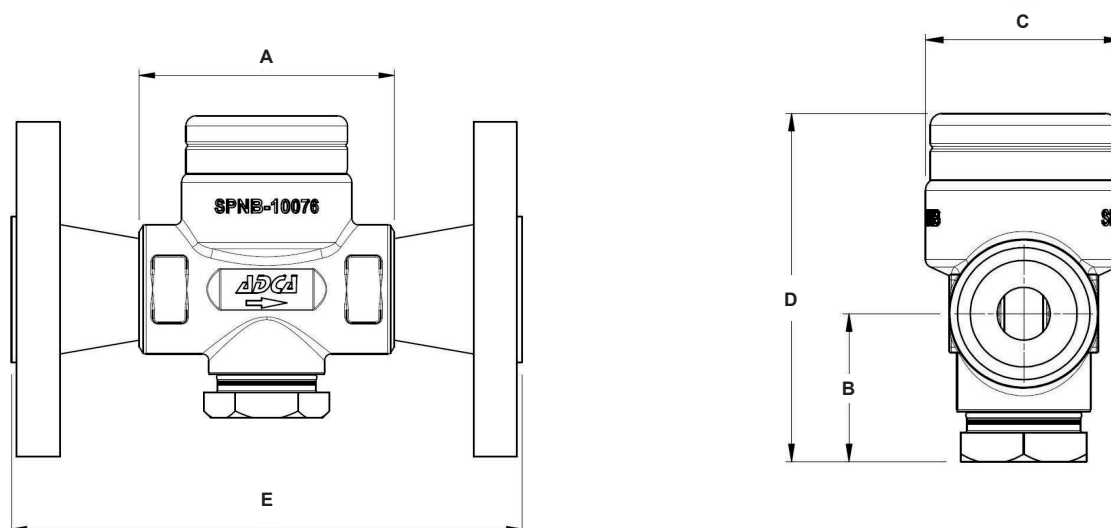
TMO – Maximum operating temperature: 300 °C.

* According to EN 1092-1:2018; ** According to EN 1759-1:2004.

Body limiting conditions PN 63 or below, depending on the type of connection adopted.

FLOW RATE CAPACITY (kg/h)														
MODEL	SIZE	DIFFERENTIAL PRESSURE (bar)												
		1,5	3	5	7	9	12	15	18	21	24	30	35	40
DT40/2 (Hot)	3/8" to 1" DN 10 to 25	70	100	130	175	190	200	225	240	250	270	290	300	310
DT40/2 (Cold)	3/8" to 1" DN 10 to 25	170	230	300	335	390	435	485	520	575	600	645	695	740

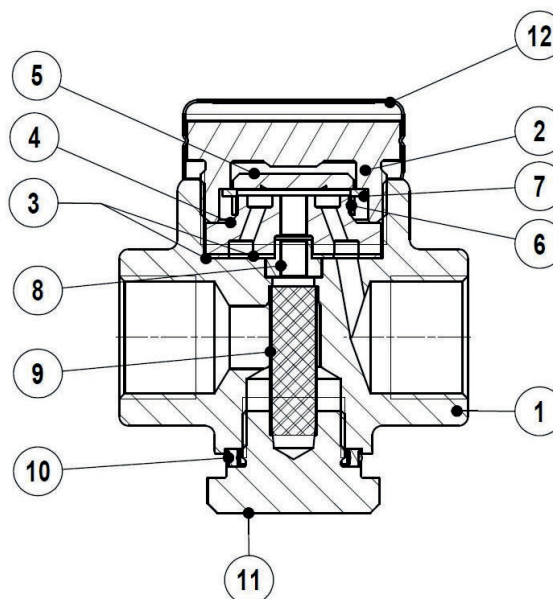
Minimum operating pressure: 1,5 bar; Maximum operating backpressure: 80% of upstream pressure.



DIMENSIONS (mm)											
SIZE	THREADED / SW					PN 40		CLASS 150		CLASS 300	
	A	B	C	D	WEIGHT (kg)	E	WEIGHT (kg)	E	WEIGHT (kg)	E	WEIGHT (kg)
3/8" to 1/2" DN 10 to 15	75	38	50	89	1,06	150	2,50	150	2,20	150	2,60
3/4" - DN 20	75	38	50	89	1,06	150	3,04	150	2,63	150	3,55
1" - DN 25	90	41	50	98	1,25	160	3,65	160	3,43	160	4,88

MATERIALS		
POS. N°	DESIGNATION	MATERIAL
1	Body	A351 CF8 / 1.4308
2	Cover	AISI 304 / 1.4301 AISI 303 / 1.4305
3	* Gasket	Stainless St. / Graphite
4	* Seat	Hardened st. steel
5	* Valve disc	Hardened st. steel
6	* Bimetal ring	Bimetal
7	* Washer support	AISI 304 / 1.4301
8	* Tube	AISI 304 / 1.4301
9	* Strainer screen	AISI 304 / 1.4301
10	* Gasket	Stainless St. / Graphite
11	Plug	AISI 304 / 1.4301 AISI 303 / 1.4305
12	Insulation cover	AISI 304 / 1.4301

* Available spare parts.



We reserve the right to change the design and material of this product without notice.