

**COMPACT TRAPPING STATION
CTS4U**

(For use with universal swivel connector steam traps)

DESCRIPTION

The UniADCA CTS4U is a complete and compact steam trapping station designed to be used as an alternative to traditional multi-component trap stations, simplifying maintenance and reducing downtime and associated costs.

The swivel connector allows steam trap replacement in only a few minutes without disturbing the pipeline.

Compatible with "two-bolt" UniADCA universal steam traps and other universal steam traps with swivel connector.

Typical installations include drip service on steam lines, tracing, SKID's and small process equipment.

MAIN FEATURES

Built-in strainer and check valve.

Reduced downtime and costs due to easy in-line maintenance.

Safe depressurization through bleed valve or BDV.

Available with double upstream shut-off valves.

Universal steam traps can swivel 360°, allowing the steam trap to be fitted in the correct position, regardless of pipeline configuration.

OPTIONS: BDV – Blowdown valve.

USE: Saturated and superheated steam.

**AVAILABLE
MODELS:**

CTS4U – stainless steel, with inlet and outlet shut-off valves.

CTS4UD – stainless steel, with double inlet shut-off valves.

CTS4UDB – stainless steel, with double inlet shut-off valves and bleed valve.

SIZES: 1/2" to 1"; DN 15 to DN 25.

CONNECTIONS: Female threaded ISO 7 Rp or NPT.
Flanged EN 1092-1 PN 40.
Flanged ASME B16.5 Class 150 or Class 300.

INSTALLATION: See IMI – Installation and maintenance instructions.



CTS4U



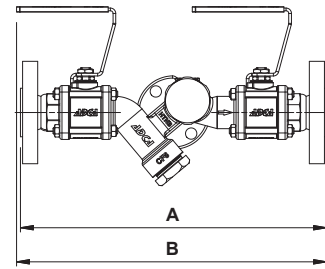
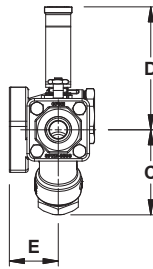
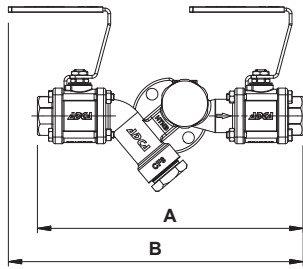
CTS4UD



CTS4UDB

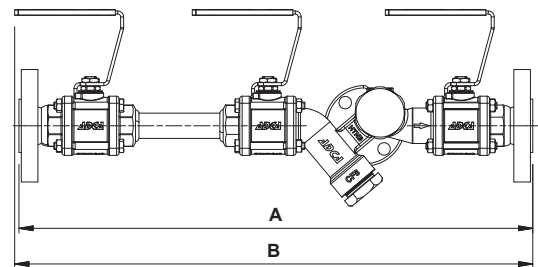
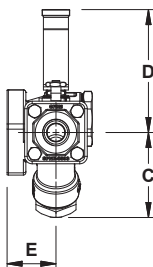
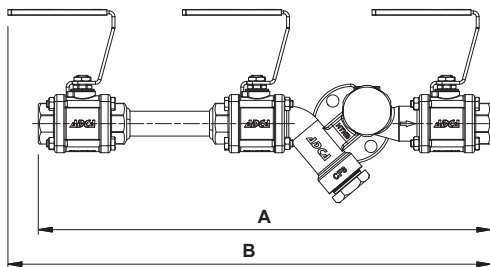


| LIMITING CONDITIONS | |
|--------------------------------------|-----------------|
| Body design conditions | PN 40 |
| Maximum pressure for saturated steam | 17,5 bar |
| Maximum operating temperature | 230 °C @ 10 bar |
| Minimum operating temperature | -10 °C |



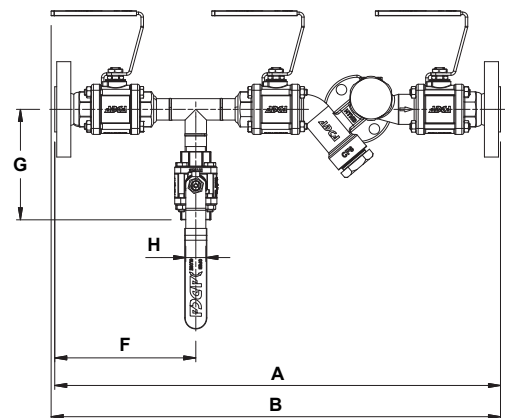
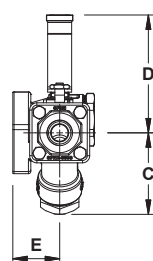
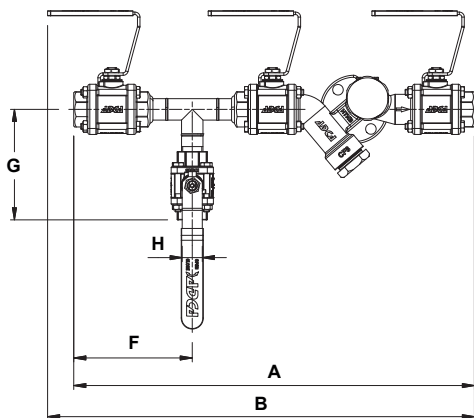
DIMENSIONS (mm) – CTS4U

| THREADED | | | | | | | PN 40 | | | CLASS 150 | | | CLASS 300 | |
|--------------|-----|-----|----|----|----|-----------|-------|-----|-----------|-----------|-----|-----------|-----------|-----------|
| SIZE | A | B | C | D | E | WGT. (kg) | A | B | WGT. (kg) | A | B | WGT. (kg) | A | WGT. (kg) |
| 1/2" – DN 15 | 239 | 265 | 68 | 98 | 39 | 3 | 284 | 288 | 4,5 | 290 | 291 | 4 | 300 | 4,6 |
| 3/4" – DN 20 | 239 | 265 | 68 | 98 | 39 | 3 | 304 | – | 5,1 | 305 | – | 4,4 | 325 | 5,6 |
| 1" – DN 25 | 287 | 289 | 68 | 98 | 39 | 3,3 | 304 | – | 5,5 | 335 | – | 5 | 348 | 6,2 |



DIMENSIONS (mm) – CTS4UD

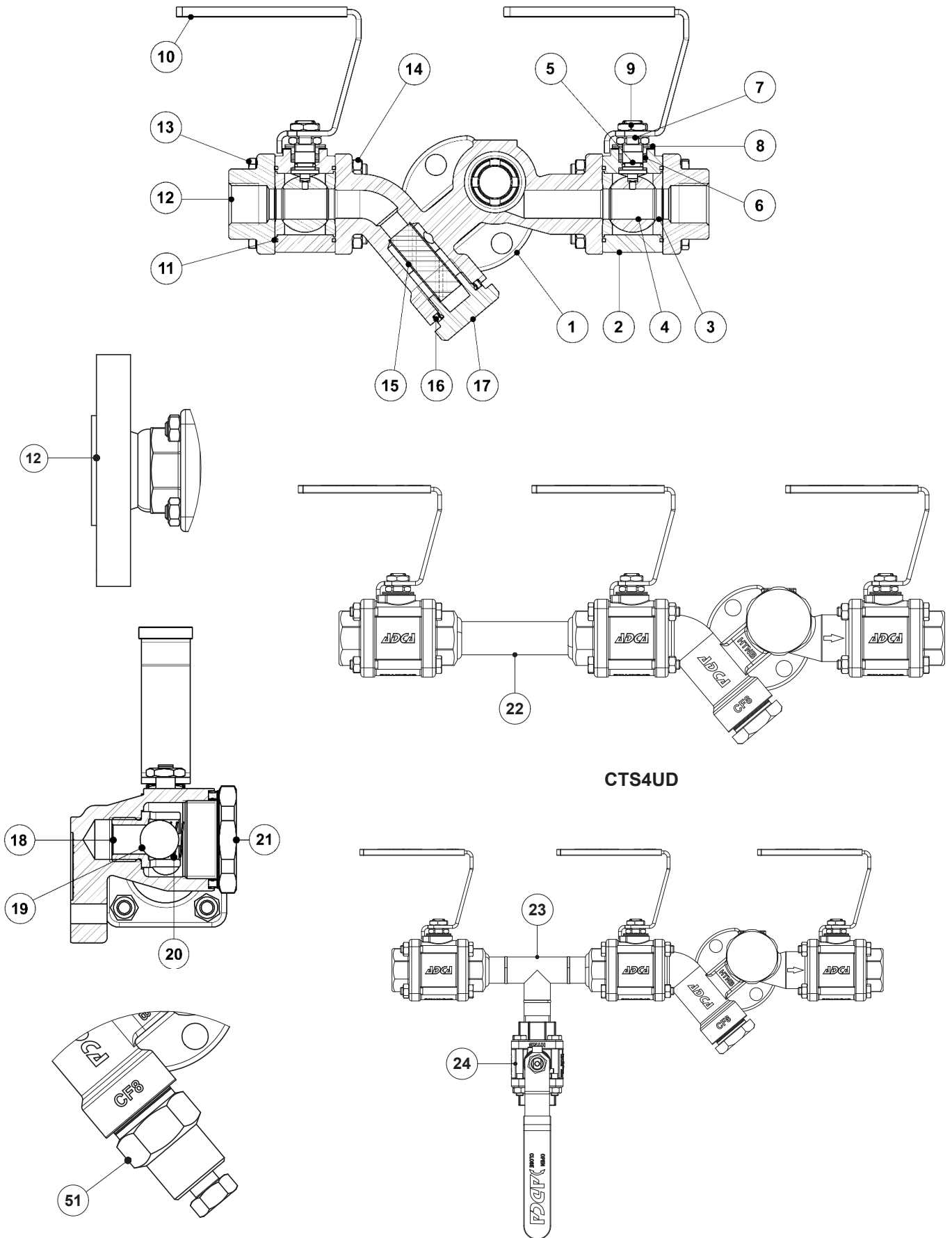
| THREADED | | | | | | | PN 40 | | | CLASS 150 | | | CLASS 300 | |
|--------------|-----|-----|----|----|----|-----------|-------|-----|-----------|-----------|-----|-----------|-----------|-----------|
| SIZE | A | B | C | D | E | WGT. (kg) | A | B | WGT. (kg) | A | B | WGT. (kg) | A | WGT. (kg) |
| 1/2" – DN 15 | 384 | 415 | 68 | 98 | 39 | 4 | 434 | 438 | 5,6 | 440 | 440 | 5 | 450 | 5,6 |
| 3/4" – DN 20 | 389 | 415 | 68 | 98 | 39 | 4 | 454 | – | 6,2 | 455 | – | 5,5 | 475 | 6,6 |
| 1" – DN 25 | 437 | 439 | 68 | 98 | 39 | 4,4 | 454 | – | 6,6 | 485 | – | 6 | 498 | 7,3 |



DIMENSIONS (mm) – CTS4UDB

| THREADED | | | | | | | | | | PN 40 | | | | CLASS 150 | | | | CLASS 300 | | |
|--------------|-----|-----|----|----|----|-----|-----|------|-----------|-------|-----|-----|-----------|-----------|-----|-----|-----------|-----------|-----|-----------|
| SIZE | A | B | C | D | E | F | G | H | WGT. (kg) | A | B | F | WGT. (kg) | A | B | F | WGT. (kg) | A | F | WGT. (kg) |
| 1/2" – DN 15 | 399 | 425 | 68 | 98 | 39 | 118 | 110 | 1/2" | 4,8 | 444 | 448 | 140 | 6,3 | 450 | 451 | 143 | 5,7 | 460 | 148 | 6,3 |
| 3/4" – DN 20 | 399 | 425 | 68 | 98 | 39 | 118 | 110 | 1/2" | 4,7 | 464 | – | 150 | 6,9 | 465 | – | 151 | 6,1 | 485 | 161 | 7,3 |
| 1" – DN 25 | 447 | 449 | 68 | 98 | 39 | 142 | 110 | 1/2" | 5 | 464 | – | 150 | 7,2 | 495 | – | 166 | 6,7 | 508 | 172 | 7,9 |

MATERIALS



BDV – Blowdown valve
 (optional)

CTS4UD

CTS4UDB

| MATERIALS | | |
|-----------|------------------------|--|
| POS. N° | DESIGNATION | MATERIAL |
| 1 | Main valve body | A351 CF8 / 1.4308 |
| 2 | Ball valve body | A351 CF8 / 1.4308 |
| 3 | * Seat | PTFE/GR |
| 4 | * Valve ball | AISI 316L / 1.4404 |
| 5 | * Stem | AISI 316L / 1.4404 |
| 6 | * Stem seals | PTFE/GR |
| 7 | * Lock washers | AISI 304 / 1.4301 |
| 8 | * Spring washers | AISI 304 / 1.4301 |
| 9 | Stem nut | Stainless steel A2-70 |
| 10 | Handle | AISI 304 / 1.4301; Vinyl |
| 11 | Body seal | PTFE |
| 12 | Cap (threaded) | A351 CF8 / 1.4308 |
| | Cap (flanged) | A351 CF8 / 1.4308; AISI 304 / 1.4301 |
| 13 | Bolts | AISI 304 / 1.4301 |
| 14 | Nuts | Stainless steel A2-70 |
| 15 | * Strainer screen | AISI 304 / 1.4301 |
| 16 | * Gasket | Stainless steel / Graphite |
| 17 | Strainer plug | AISI 304 / 1.4301 |
| 18 | * Check valve seat | AISI 304 / 1.4301 |
| 19 | * Check valve ball | AISI 304 / 1.4301 |
| 20 | * Spring | AISI 302 / 1.4300 |
| 21 | Check valve cover | AISI 304 / 1.4301 |
| 22 | Spool piece | AISI 316L / 1.4404 |
| 23 | Spool piece with drain | AISI 316L / 1.4404 |
| 24 | Bleed valve M3i5 | A351 CF8 / 1.4308 |
| 51 | Blowdown valve | AISI 303 / 1.4305; AISI 316L / 1.4404 |

* Available spare parts.