

TUBULAR HEATING COILS R (STEAM TO WATER)

DESCRIPTION

The ADCA R series steam to water tubular heating coils are shorter and lighter than the alternative tubular heating coils manufactured with smooth pipes. The use of extruded low fin tube has the advantage that it can improve the external surface and thermal performance.

MAIN FEATURES

Corrosion-resistant low finned stainless steel tube bundle construction.
Straight tubes for easy cleaning.
Floating head at the end of the tube bundle, avoiding tube stresses caused by thermal expansion and contraction.

OPTIONS: Special designs.

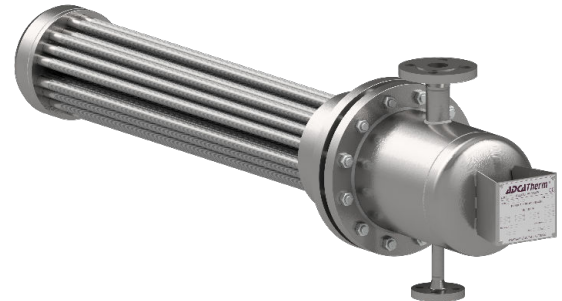
USE: Steam, water, hot condensate and other fluids compatible with the construction.

AVAILABLE

MODELS: R5, R6, R8 and R10.

CONNECTIONS: Flanged EN 1092-1 PN 16.
Flanged ASME B16.5 Class 150.
Threaded on request.

INSTALLATION: Horizontally on vertical or horizontal vessels.
See IMI – Installation and maintenance instructions.



CE MARKING – GROUP 2 (PED – European Directive)	
PN 16	Category
R5.075 to R5.150	1 (CE marked)
R6.075 to R6.150	1 (CE marked)
R8.075 to R8.150	2 (CE marked)
R10.075 to R10.150	2 (CE marked)

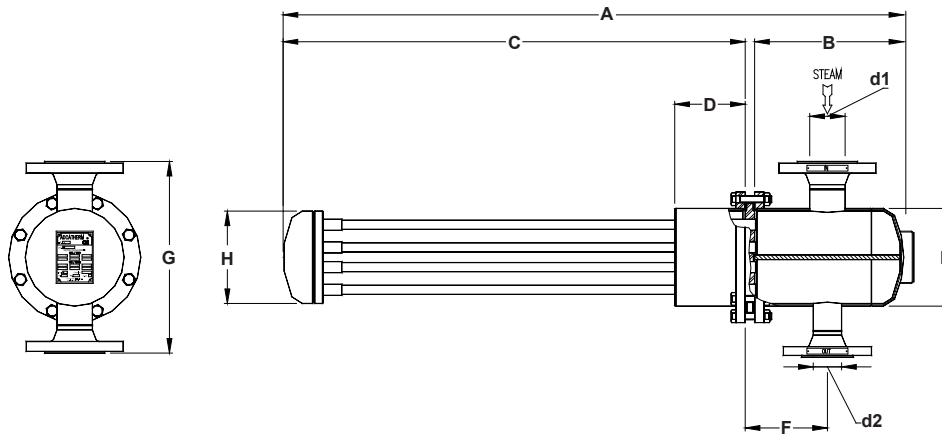
BODY LIMITING CONDITIONS		
FLANGED PN 16 *	FLANGED CLASS 150 **	RELATED TEMP.
ALLOWABLE PRESSURE	ALLOWABLE PRESSURE	
16 bar	15,3 bar	50 °C
15 bar	13,3 bar	100 °C
12,7 bar ***	11,1 bar ***	200 °C
12 bar	–	250 °C

Min. operating temp.: -10 °C; Design code: AD-Merkblatt
* According to EN 1092-1:2018.

** According to EN 1759-1:2004.

*** PMO – Maximum operating pressure for saturated steam.

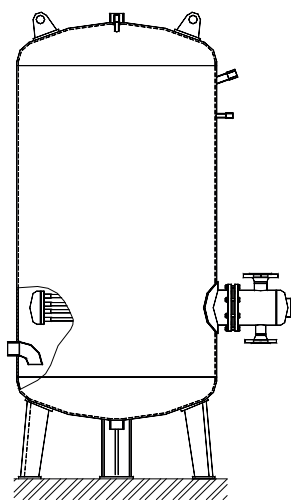
MATERIALS	
DESIGNATION	MATERIAL
Tube bundle	AISI 316L / 1.4404
Tube sheet	AISI 316 / 1.4401
Heads	S235JR / 1.0038; P235GH / 1.0305
Inlet / outlet pipes	P235GH / 1.0305
EN flanges	P250GH / 1.0460
ASME flanges	ASTM A105 / 1.0432
Sockets	ASTM A105 / 1.0432
Supports	S235JR / 1.0038



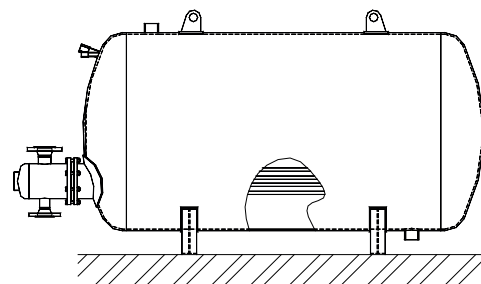
DIMENSIONS (mm)										
MODEL	A	B	C	D	E	F	G	H	d1 *	d2 *
R5.075	1019	244	759	120	139	146	340	123	40	25
R5.100	1269	244	1009	120	139	146	340	123	40	25
R5.150	1769	244	1509	120	139	146	340	123	40	25
R6.075	1044	260	784	120	168	146	370	152	65	40
R6.100	1294	260	1035	120	168	146	370	152	65	40
R6.150	1794	260	1535	120	168	146	370	152	65	40
R8.075	1116	320	776	130	220	146	420	198	80	50
R8.100	1366	320	1028	130	220	146	420	198	80	50
R8.150	1866	320	1526	130	220	146	420	198	80	50
R10.075	1111	318	768	130	273	150	473	250	80	50
R10.100	1361	318	1018	130	273	150	473	250	80	50
R10.150	1857	318	1518	130	273	150	473	250	80	50

* Merely indicative values. Sizes to be determined according to flow conditions.
Since each coil is built to suit specific plant requirements, consult manufacturer for certified dimensions and weight.

TYPICAL INSTALLATION



Vertical vessel



Horizontal vessel