



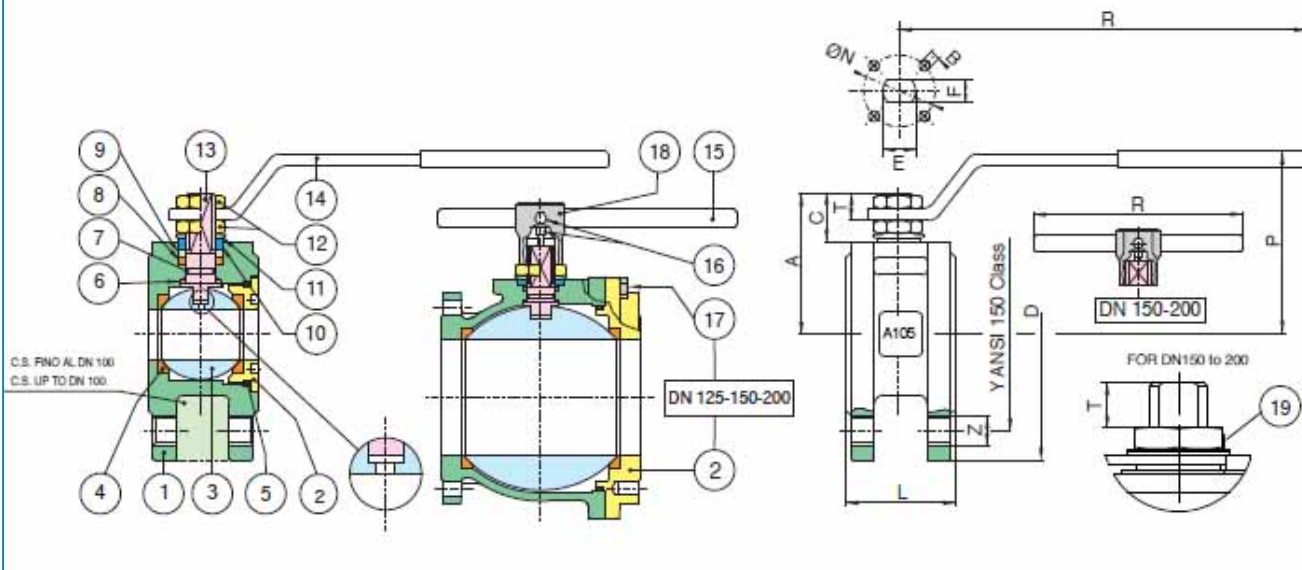
Serie **WAFER ANSI150**

Articolo **720009**

CARBON STEEL ASTM A105

Full bore flanged ball valve ANSI 150 metric.

Limiti di temperatura: -20° +160° - Temperature range: -20° +160° Vuoto: 10-3 torr. - Vacuum: 10-3 torr.



POS.	PART NAME	MATERIALE - MATERIALS - MATERIAUX - WERKSTOFF-MATERIAL	N°P
1	BODY	ASTM A105/A216-WCB	1
2	END CONNECTION	ASTM A105/A216-WCB	1
3	BALL	A351-CF8/A479-Tp304	1
4	BALL SEAT	P.T.F.E	2
5	O-RING	FKM (VITON®)	1
6	THRUST WASHER	P.T.F.E	1
7	O-RING	FKM (VITON®)	1
8	STEM SEAT	P.T.F.E	1
9	PACKING GLAND	CARBON STEEL	1
10	END STOP	INOX AISI 430 (DN15 - DN50) CARBON STEEL (DN65 - DN150)	2-1
11	SPRING WASHER	CARBON STEEL	2
12	NUT	CARBON STEEL	2
13	STEM	A479-Tp304	1
14	HANDLE	CARBON STEEL	1
15	HANDLE DN 150-200	CARBON STEEL	1

16	SCREW	CARBON STEEL	2
17	SCREW	CARBON STEEL	8-12
18	BODY HANDLE DN150-200	EN-GJL-250	1
19	UNSCREWING GROWER	A182-F316	1

MISURA SIZE	DN	D	Y	Z	L	R	P	A	C	T	E	F	ØN	B	Kv	PN	Kg
1/2"	15	90	61	4 X M14	35	131	65	47	15,5	9	10	7	32	4 X M5	19,2	20	1,30
3/4"	20	100	70	4 X M14	40	131	69	51,5	15,5	9	10	7	32	4 X M5	35,0	20	1,80
1"	25	110	80	4 X M14	46	174	80	61	17	11	12	8	42	4 X M5	64,5	20	2,70
1"1/4	32	118	89	4 X M14	54	174	84	64,5	15	11	12	8	42	4 X M5	103,8	20	3,70
1"1/2	40	127	99	4 X M14	63,5	250	102	78	24,5	13	16	10	50	4 X M6	174,0	20	5,40
2"	50	150	121	4 X M16	82	250	111	87	25	13	16	10	50	4 X M6	301,3	20	8,80
2"1/2	65	175	140	4 X M16	103	321	128	104,5	25	18	20	14	70	4 X M8	545,7	20	15,60
3"	80	190	153	4 X M16	122	321	138	115	28,5	18	20	14	70	4 X M8	872,5	20	20,80
4"	100	223	191	8 X M16	152	381	156	137	34,5	22	24	18	102	4 X M10	1363,3	20	36,00
5"	125	250	216	8 X M20	196	381	178	159	34	22	24	18	102	4 X M10	2360,3	20	40,50
6"	150	280	242	8 X M20	232	700	266	201,5	51,5	30	42	30	125	4 X M12	3671,1	20	63,50
8" *	200	345	298,5	8 X Ø22	457	700	332	288	68	41	42	30	125	4 X M12	6816,6	20	124,00

* Artt. 760005-762000 Disponibili anche nella versione V Ball - V Ball version available.