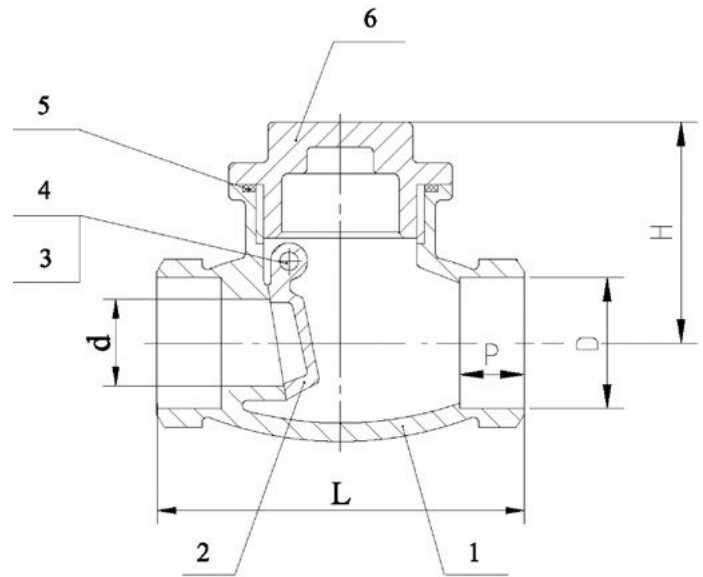




Screwed Swing Pattern Check Valve



- ASTM A351 CF8M 316 Stainless Steel construction, 316 Trim.
- PTFE Cap and Hinge Pin Seal.
- 600 psi pressure rated.
- -20 / +180 deg C Temp rated.
- BSP Screwed end connections to ISO 7/1 Rp (sizes 1/4"- 4")
NPT to ASME B1.20.1 (sizes 1/2" - 2").
- CE marked in accordance with PED 2014/68/EU (from 1.1/4").

| Item | Part | Material | Qty. |
|------|-------------|----------|------|
| 1 | Body | CF8M | 1 |
| 2 | Disc | CF8M | 1 |
| 3 | Plug | SS316 | 1 |
| 4 | Plug Gasket | PTFE | 1 |
| 5 | Body Gasket | PTFE | 1 |
| 6 | Cap | CF8M | 1 |

A good all round general purpose Check Valve most suited to Liquid and Steam duties. The 600 psi Pressure Rating is relatively unique as most companies are only able to offer a 200 psi unit.

Available size range: 1/4" - 4"

| SIZE | d | L | H | D | P | Kgs |
|--------|----|-----|-----|-------|----|------|
| 1/4" | 10 | 65 | 42 | 14 | 10 | 0.32 |
| 3/8" | 12 | 65 | 42 | 17.6 | 10 | 0.31 |
| 1/2" | 15 | 65 | 42 | 21.7 | 10 | 0.3 |
| 3/4" | 20 | 80 | 50 | 27.3 | 13 | 0.43 |
| 1" | 25 | 90 | 58 | 34.1 | 13 | 0.68 |
| 1-1/4" | 32 | 105 | 62 | 42.8 | 13 | 1.05 |
| 1-1/2" | 40 | 120 | 72 | 48.7 | 13 | 1.38 |
| 2" | 50 | 140 | 81 | 61.1 | 16 | 1.98 |
| 2-1/2" | 64 | 164 | 94 | 77 | 16 | 2.82 |
| 3" | 73 | 190 | 103 | 90 | 16 | 3.9 |
| 4" | 94 | 240 | 136 | 115.2 | 20 | 9.1 |

