



90° double-acting flow control valves

FT 1252/2-01

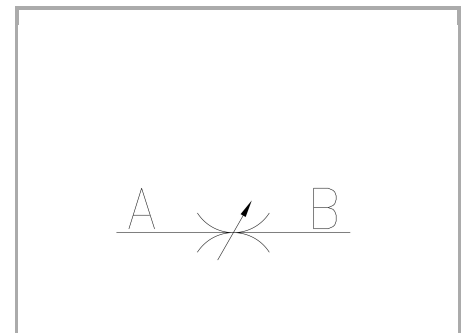
Double-acting flow control valves available from 1/8" to 1/2" BSPP size, max.working pressure 210 Bar, adjustable oil flow rate from 0,5 to 60 Lt./min. (depending on the size)

Double-acting control

90° configuration In line or panel mounting

Brass OT58 - UNI5705 Nickel Plated

Connections: F - F Female - Female



Technical information

Technical description

The valve FT 1252/2-01 allow the flow regulation in both directions. Of unmistakable style they are manufactured with materials, which are suitable also for applications with fluids other than oil (such as: water, gas and liquids in general). They are an alternative to FT 257/2 (suitable up to 400 bar) where the working pressure does not exceed 210 bar and where ferrous materials cannot be used. They have the same characteristics as the FT 257 series: • accurate flow regulation; • efficient metallic sealing; • simple setting of flow rates; • secure against accidental needle lift-out; • secure needle position with locking screw inserted in the knob; • panel mounting provision, for which special lock nuts (G) are supplied on request.

Materials

CORPO VALVOLA / VALVE BODY	OT 58-UNI EN 12165
SPILLO DI REGOLAZIONE / ADJUSTING NEEDLE	Acciaio/Steel X 10 Cr Ni S 1809-UNI EN 10088-1
GUARNIZIONI / GASKETS	Di serie NBR - A richiesta FPM/Standard NBR-on demand FPM
ANELLI ANTIESTRUSIONE / ANTIEXTRUSION RINGS	PTFE
MANOPOLA TIPO MA - RA / KNOB TYPE MA - RA	GD AISi12 - UNI EN AB 46100
MANOPOLA TIPO MP / KNOB TYPE MP	ABS

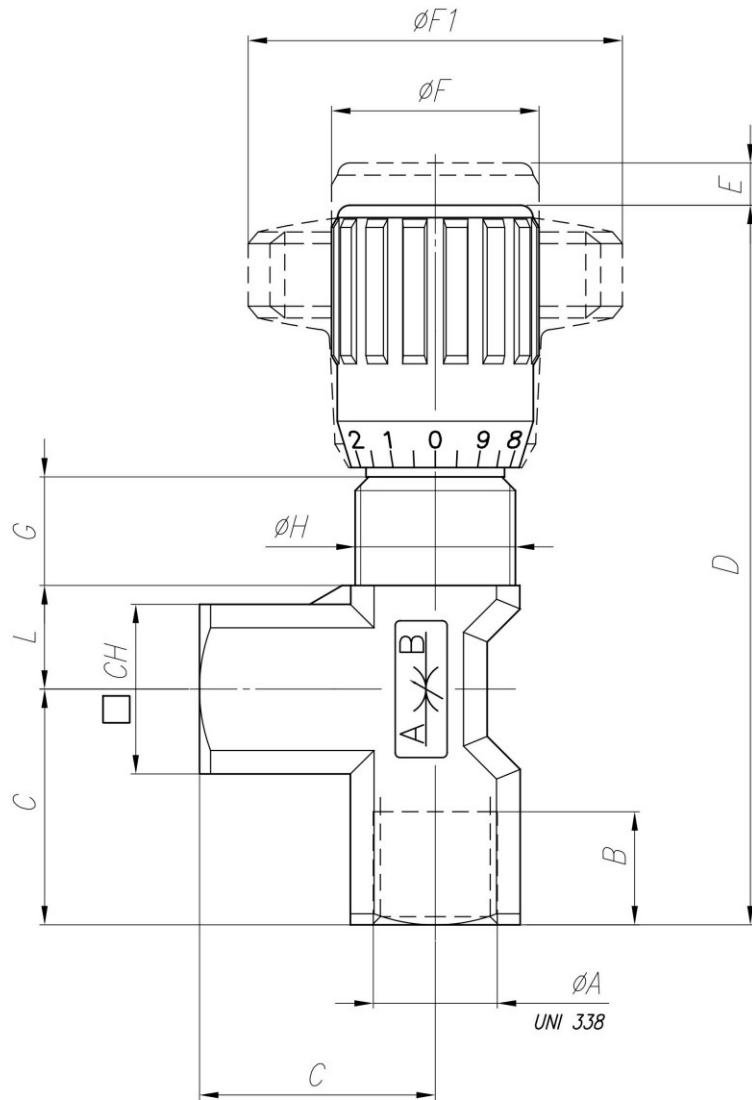


Technical data

TIPO / TYPE	PRESSIONE ESERCIZIO BAR / WORKING PRESSURE BAR	TEMPERATURA ESERCIZIO / WORKING TEMPERATURE	GRADO DI FILTRAZIONE μm / FILTRATION GRADE μm
18	210	-20°C/+100°C	25
14	210	-20°C/+100°C	25
38	210	-20°C/+100°C	25
12	210	-20°C/+100°C	25

Dimensional tables and drawings

TIPO / TYPE	A UNI 338	B	C	D	E	$\varnothing\text{F}$	$\varnothing\text{F1}$	G	H	L	CH	PESO / WEIGHT KG
18	1/8" G	8	21	69	4	22	40	12	M15x1	9,5	15	0,105
14	1/4" G	12	25	74,5	4,5	22	40	11	M17x1	11,5	18	0,136
38	3/8" G	13	29,5	88	7	27	50	12,5	M20x1	15	22	0,248
12	1/2" G	16	36	105	10	33	70	13	M25x1,5	19	27	0,454





Flow rate curves

