

PILOT OPERATED PRESSURE REDUCING VALVES PRV47 and PRS47

DESCRIPTION

The ADCA PRV47 pilot operated pressure reducing valves are designed for use with steam, compressed air, nitrogen and other gases compatible with the construction materials. The PRV47 can be installed in pressure reducing stations throughout all industries, and provide sensitive and accurate control even when inlet pressure fluctuations or relevant flow variations occur.

MAIN FEATURES

Precise control of downstream pressures from 0,07 bar to 17 bar.
Robust steel or stainless steel construction.
Suitable for dead end conditions.
Guided piston and valve stem.
Hardened plug.

OPTIONS:

- Soft sealing.
- Low pressure top.
- Dome loaded version.
- Bottom cover drain connection.
- Stellited plug and seat.
- Internal sensing line.

USE: Saturated steam, compressed air and other gases (Group 2) compatible with the construction (except oxygen).

AVAILABLE MODELS:

- PRV47, PRV47E – steel versions for steam.
- PRV47i, PRV47iE – stainless steel versions for steam (only available from DN 15 to DN 50).
- PRV47G, PRV47GE – steel versions for compressed air and gases.
- PRV47Gi, PRV47GiE – stainless steel versions for compressed air and gases.
- Suffix E: Version with solenoid valve for remote closure.
- PRS: All models above are available with an optional sustaining valve pilot, e.g. PRS57G (see Fig. 8).

SIZES: 1/2" to 2"; DN 15 to DN 50.

CONNECTIONS:

- Female threaded ISO 7 Rp or NPT.
- Flanged EN 1092-1 PN 40.
- Flanged ASME B16.5 Class 150 or 300.
- Socket weld (SW) ASME B16.11.

INSTALLATION: Horizontal installation.
See IMI – Installation and maintenance instructions.
In steam applications, a “Y” strainer, humidity separator and steam trap should be installed upstream of the valve.



CE MARKING – GROUP 2 (PED – European Directive)		
CLASS 150	PN 40	Category
1/2" to 2"	DN 15 to 32 1/2" to 1 1/4"	SEP
–	DN 40 and 50 1 1/2" and 2"	1 (CE marked)

LIMITING CONDITIONS			
Valve model	PRV47 PRV47i	PRS47 PRS47i	PRV47E / PRS47E PRV47iE / PRS47iE
Body design conditions	PN 40	PN 40	PN 40
Maximum upstream pressure	28 bar	17 bar	10 bar
Maximum downstream pressure	17 bar	17 bar	10 bar
Minimum downstream pressure *	0,35	0,35	0,35
Maximum operating temperature	250 °C	250 °C	180 °C
Maximum reducing ratio	See capacity tables		
Rangeability	10:1	10:1	10:1
Maximum hydraulic factory valve body test	60 bar	60 bar	60 bar

* 0,07 bar with low pressure top (limited to 7 bar maximum inlet pressure).

Remark: Pressure and temperature limiting conditions may change if "G" version for compressed air and gases is chosen or soft sealing/piston rings are used.

REGULATING RANGES				
SPRING COLOUR	GREEN w/ 1 diaphragm	BLUE w/ 1 diaphragm	RED w/ 2 diaphragms	BLACK w/ 2 diaphragms
Regulating range	0,07 to 0,5 bar * 0,35 to 2 bar	1,5 to 5,5 bar	3,5 to 8,5 bar	7 to 17 bar

* With low pressure top.

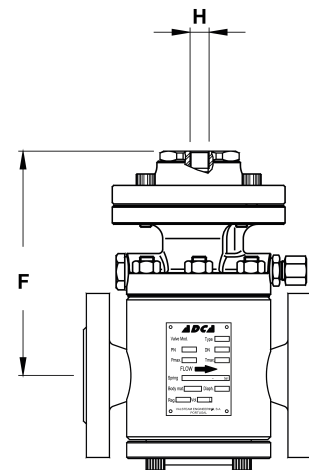
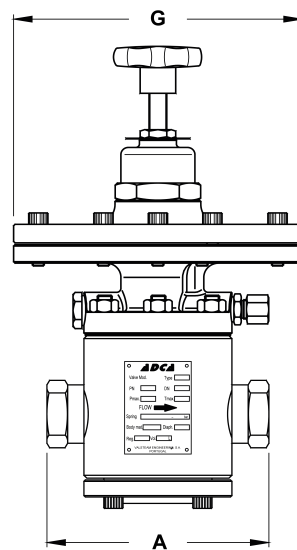
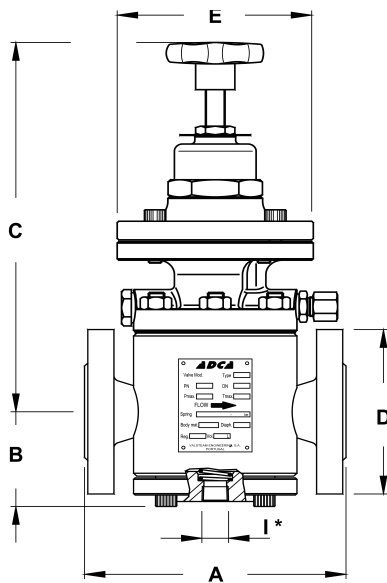


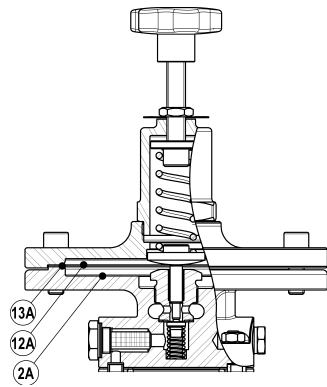
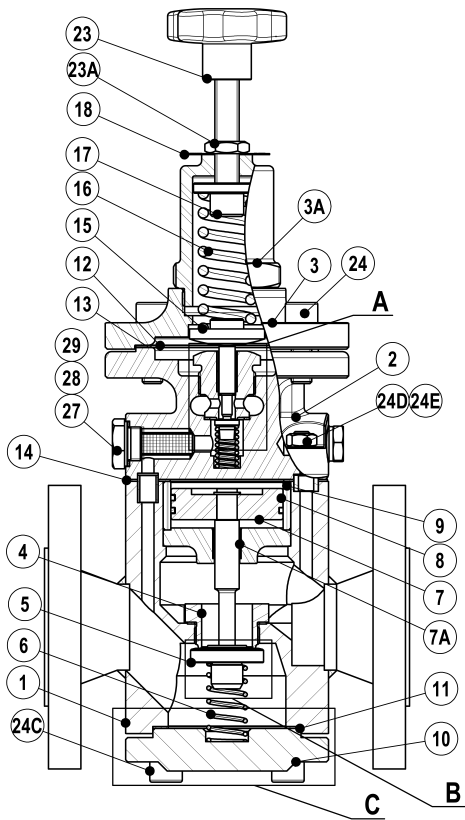
Fig. 1 - Valve with standard diaphragm Fig. 2 - Valve with low pressure top

Fig. 3 - Dome loaded valve

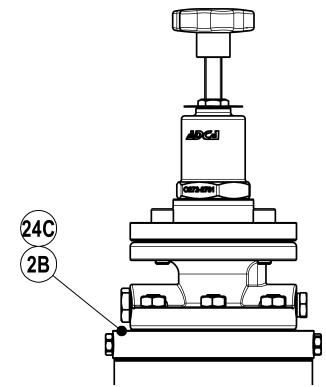
DIMENSIONS (mm)													
SIZE	A				B	C	D	ØE	F	ØG	H	I *	WGT. (kg)
	PN 40	CLASS 150	CLASS 300	THREADED									
1/2" – DN 15	150	184	190	140	56	275	95	120	162	195	1/4"	3/8"	13
3/4" – DN 20	150	184	194	140	56	287	105	120	174	195	1/4"	3/8"	13,5
1" – DN 25	160	184	197	150	56	287	115	120	174	195	1/4"	3/8"	14
1 1/4" – DN 32	180	-	-	170	68	299	140	120	186	195	1/4"	3/8"	18
1 1/2" – DN 40	200	222	235	190	75	307	150	130	194	195	1/4"	3/8"	22
2" – DN 50	230	254	267	230	84	323	165	160	210	195	1/4"	3/8"	31

* Optional drain connection for steam trapping. This drain connection does not replace the humidity separator, but can be useful if, e.g., the valve stops operating for long periods of time (see Fig.6).

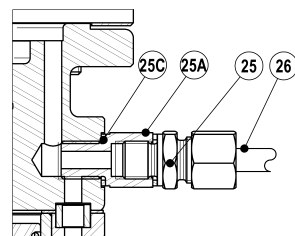
Remarks: As standard, connections H and I, in valves manufactured with ASME B16.5 flanges, SW or NPT threads, are female threaded NPT. In valves manufactured with EN 1092-1 flanges or ISO 7 Rp threads, these connections are also female threaded ISO 7 Rp.



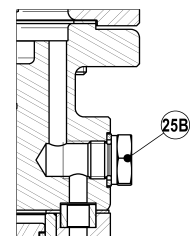
Low pressure top



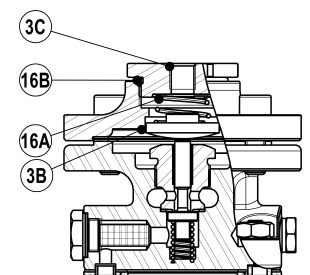
Adapting flange
(DN 50 and above)



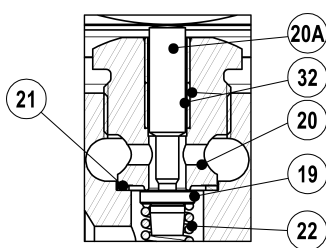
External sensing



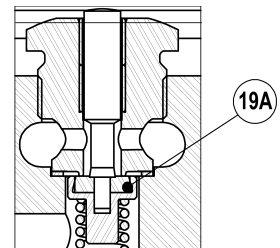
Internal sensing



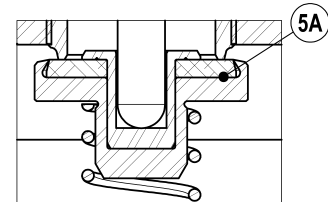
Dome loaded top



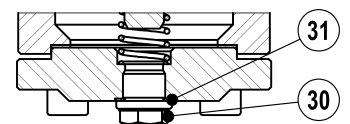
Detail A
Pilot valve



Detail A
Pilot valve (soft)



Detail B
Main valve (soft)



Detail C
Optional drain connection

MATERIALS

POS. N°	DESIGNATION	PRV47	PRV47i
1	Valve body	S355JR / 1.0045; P250GH / 1.0460	AISI 316 / 1.4401
2	Pilot valve body	A351 CF8 / 1.4308	A351 CF8 / 1.4308
2A	Low pressure pilot valve body	A351 CF8 / 1.4308	A351 CF8 / 1.4308
2B	Adapting flange	C45E / 1.1191	AISI 316 / 1.4401
3	Top cover	A351 CF8 / 1.4308	A351 CF8 / 1.4308
3A	Spring cover	A351 CF8 / 1.4308	A351 CF8 / 1.4308
3B	Top cover	C45E / 1.1191	AISI 316 / 1.4401
3C	Cover nut	C45E / 1.1191	AISI 316 / 1.4401
4	* Main valve seat	AISI 316 / 1.4401	AISI 316 / 1.4401
5	* Main valve plug	Hardened st. steel	Hardened st. steel
5A	* Main valve plug (soft)	AISI 316 w/ PTFE/GR; Rulon	AISI 316 w/ PTFE/GR; Rulon
6	* Main valve spring	AISI 302 / 1.4300	AISI 302 / 1.4300
7	* Piston	Bronze B62 / ASTM B148.97	Bronze B62 / ASTM B148.97
7A	Piston guide	AISI 316 / 1.4401	AISI 316 / 1.4401
8	* Piston rings	Bronze / FKM / EPDM / NBR	Bronze / FKM / EPDM / NBR

MATERIALS			
POS. N°	DESIGNATION	PRV47	PRV47i
9	Piston liner	AISI 304 / 1.4301	AISI 304 / 1.4301
10	Bottom cover	S355JR / 1.0045	AISI 316 / 1.4401
11	* Bottom cover gasket	Stainless steel / Graphite	Stainless steel / Graphite
12	* Diaphragm	AISI 301 / 1.4310	AISI 301 / 1.4310
12A	* Low pressure diaphragm	AISI 301 / 1.4310	AISI 301 / 1.4310
13	* Diaphragm gasket	Stainless steel / Graphite	Stainless steel / Graphite
13A	* Low press. diaphragm gasket	Stainless steel / Graphite	Stainless steel / Graphite
14	* Pilot valve gasket	Stainless steel / Graphite	Stainless steel / Graphite
15	Lower spring carrier	Brass	Brass
16	* Adjustment spring	Steel	Steel
16A	Diaphragm spring	Stainless steel	Stainless steel
16B	O-ring	Viton	Viton
17	Top spring carrier	Brass	Brass
18	Spring ID plate	Aluminium	Aluminium
19	* Pilot valve plug	AISI 316 / 1.4401	AISI 316 / 1.4401
19A	* Pilot valve plug (soft)	PTFE/GR; Rulon, etc.	PTFE/GR; Rulon, etc.
20	* Pilot valve seat	AISI 316 / 1.4401	AISI 316 / 1.4401
20A	Pushrod	AISI 316 / 1.4401	AISI 316 / 1.4401
21	* Pilot valve gasket	Copper	Copper / PTFE
22	* Pilot valve spring	AISI 302 / 1.4300	AISI 302 / 1.4300
23	Handwheel	Plastic / Stainless steel	Plastic / Stainless steel
23A	Locknut	AISI 304 / 1.4301	AISI 304 / 1.4301
24	Bolts	ISO 898 or EN 10269 steel	ISO 3506 stainless steel
24C	Bolts	ISO 898 or EN 10269 steel	ISO 3506 stainless steel
24D	Studs	ISO 898 or EN 10269 steel	ISO 3506 stainless steel
24E	Nuts	ISO 898 or EN 10269 steel	ISO 3506 stainless steel
25	Compression fitting	Plated carbon steel	Stainless steel
25A	Adapter	AISI 304 / 1.4301	AISI 304 / 1.4301
25B	Plug	AISI 304 / 1.4301	AISI 304 / 1.4301
25C	Gasket	Copper	Copper
26	Sensing pipe	Copper	Stainless steel
27	* Pilot valve strainer	AISI 304 / 1.4301	AISI 304 / 1.4301
28	Strainer nut	AISI 304 / 1.4301	AISI 304 / 1.4301
29	Gasket	Copper	Copper
30	Plug	AISI 316 / 1.4401	AISI 316 / 1.4401
31	Gasket	Copper	Copper
32	Plain bearing	Bronze / steel	Bronze / steel

* Available spare parts.

MATERIALS		
POS. N°	DESIGNATION	MATERIAL
100	Sensing pipe	Copper or stainless steel
101	Compressed air supply	Copper or stainless steel
102	P10 air filter regulator	Polycarbonate
103	Solenoid valve	Brass or stainless steel
104	ADCA IS100 filter	AISI 316 / 1.4401
105	ADCA PS7 pressure sustaining valve	Carbon steel or stainless steel
106	Drain connection	Copper or stainless steel

STANDARD VALVE FOR STEAM, COMPRESSED AIR AND OTHER GASES

The high pressure upstream gas enters the main valve and the pilot valve. Compression of the regulating spring over the diaphragm causes the pilot valve to open, admitting regulated pressure to the piston chamber. The force exerted by the regulated pressure on top of the piston pushes it down which, in turn, opens the main valve. The downstream pressure is then transmitted through the sensing line, acting below the diaphragm.

Any downstream pressure increase deflects the diaphragm, and the pilot valve closes, thus shutting off regulated gas to the piston which, in turn, closes the main valve. When the desired downstream pressure is achieved, the valve opens again, repeating the process.

The external sensing pipe (100) must always be connected unless the valve is supplied with internal sensing line. It should be fitted in the downstream pipe at a distance of, at least, 1 meter or 15 pipe diameters, whichever is greater, from the valve and other fittings. A spool piece can be supplied to house the sensing pipe.

Warning: Internal sensing is not recommended when:

- The reduced pressure is below 50% of the inlet pressure (mandatory for pressure reductions greater than 10:1);
- Instability of reduced pressure occurs;
- When a low pressure top assembly is fitted;
- In systems with difficult outlet pipe work conditions.

DOMES LOADING

The loading force is exerted on the pilot valve diaphragm by an external gas signal rather than by the regulating spring. This feature allows remote adjusting of the downstream set point pressure using a relieving gas pressure regulator or an I/P converter. Allows faster response to pressure changes and maintains outlet pressure more accurately under flowing conditions, when compared to the standard spring loaded version, minimizing droop.

The loading control pressure is approximately the same as the required outlet pressure ($\pm 0,2$ bar)

DRAIN CONNECTION

The optional drain connection is specially recommended for steam applications where it is not possible to install a humidity separator close to the valve, when the valve is under no-flow static condition during large periods of time or for system cleaning during start up.

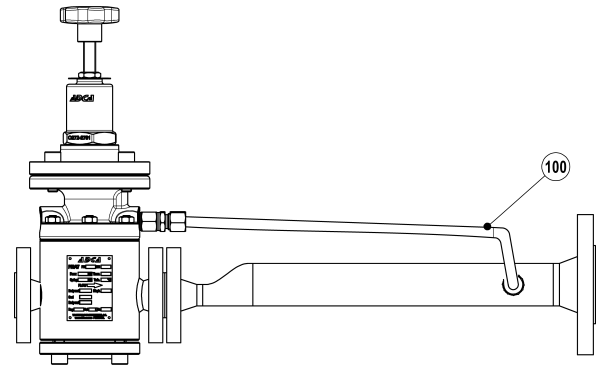


Fig. 4 - Standard valve

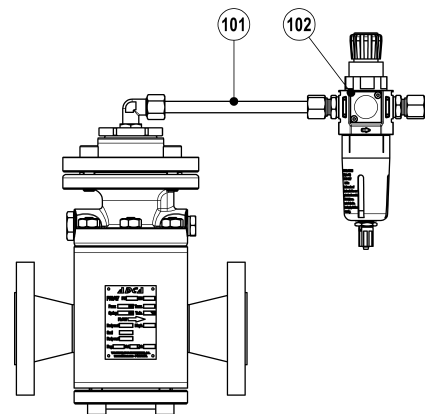


Fig. 5 - Dome loaded valve

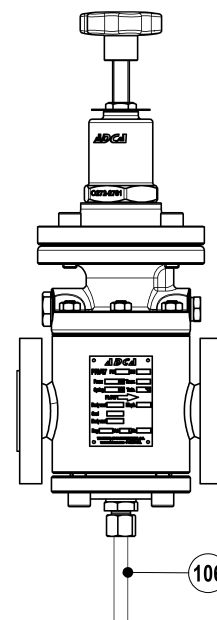


Fig. 6 - Valve with drain connection

VALVE WITH SOLENOID VALVE FOR REMOTE CLOSURE (PRV47E)

The PRV47E operates like the standard valve, but it allows remote closure, by means of a switch or timer. When the solenoid valve closes, the pressure signal to the pilot valve is interrupted, causing the main valve to close.

TECHNICAL DATA (SOLENOID VALVE)	
Body material	Brass or stainless steel
Maximum operating pressure	10 bar
Maximum operating temperature	180 °C
Level of protection	IP 65
Rated voltage	230 V AC $\pm 10\%$, 24 V DC $\pm 10\%$ *
Power consumption	12 VA $\pm 10\%$ (AC), 12 W $\pm 10\%$ (DC)

* Others on request.

PRESSURE REDUCING AND SUSTAINING VALVE (PRS47)

The PRS47 is a derivative of the PRV47 and consists in a combination between a pressure reducing valve and a pressure sustaining valve. While the pilot fitted on the main valve body controls downstream pressure, a secondary pilot valve (105), in this case a pressure sustaining valve, fitted on the side of the PRV controls the upstream pressure. The pressure sustaining valve is closed until the established set pressure is reached and so is the main valve, since there is no flow feeding its pilot. As soon as the set pressure is reached, the pressure sustaining valve opens, allowing flow to the PRV's pilot valve which, in turn, opens the main valve.

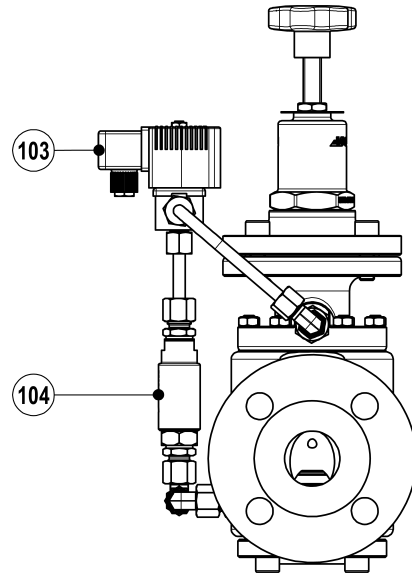


Fig. 7 - Valve with solenoid valve for remote closure

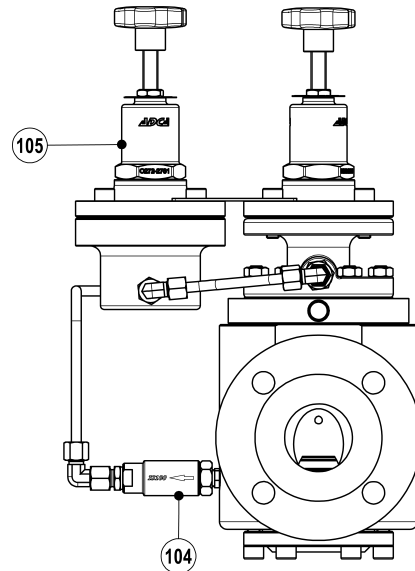


Fig. 8 - Pressure reducing and sustaining valve

CAPACITY TABLE

INLET (barg)	OUTLET (barg)	SATURATED STEAM (kg/h)						COMPRESSED AIR (Nm ³ /h – 0 °C – 1,013 bar)					
		DN 15	DN 20	DN 25	DN 32	DN 40	DN 50	DN 15	DN 20	DN 25	DN 32	DN 40	DN 50
0,7	0,35	40	75	125	190	280	480	15	31	50	70	111	191
1	0,4	45	95	160	240	355	620	16	33	51	79	113	194
	0,6	40	83	140	210	308	535	27	55	90	138	199	343
2	0,4 - 1	75	150	250	380	545	960	60	122	201	307	444	763
	1,2	65	138	230	345	515	900	54	109	180	276	399	686
	1,6	50	105	175	265	393	685	45	91	150	230	333	572
3	0,4 - 1,5	100	200	335	510	750	1310	120	240	300	460	666	1150
	2	85	170	290	450	660	1155	105	210	251	384	555	1050
	2,2	80	165	277	416	613	1050	48	93	152	232	334	570
	2,6	60	127	203	315	467	818	45	61	101	154	223	384
4	0,4 - 2	125	250	420	630	920	1580	150	238	499	739	1089	1825
	2,5	114	225	385	580	850	1465	135	208	449	568	978	1635
	3,2	92	183	309	482	708	1205	119	177	398	492	867	1444
	3,6	68	137	237	353	536	932	60	124	202	154	444	763
5	0,4 - 2	150	310	512	755	1114	1895	180	360	505	768	1110	1908
	3	144	295	488	743	1095	1835	165	330	556	691	997	1716
	4	115	225	373	578	846	1430	151	298	404	613	885	1526
	4,2	105	213	343	525	770	1342	136	285	383	582	840	1449
6	0,4 - 3	175	355	602	919	1358	2298	210	468	696	1046	1523	2580
	4	159	314	538	827	1217	2142	195	437	646	969	1412	2389
	5	119	250	411	637	941	1644	150	345	494	738	1079	1817
	5,2	109	217	360	568	839	1465	135	315	443	664	968	1627
7	0,4 - 3,5	197	410	670	1005	1540	2644	240	480	804	1200	1740	2989
	5	178	358	587	908	1345	2306	210	421	701	1046	1524	2640
	6	132	271	452	688	1027	1773	150	301	499	756	1104	1829
	6,2	122	251	416	635	934	1618	105	211	349	529	773	1280
8	0,4 - 4	225	471	778	1169	1759	3043	270	546	798	1353	1746	3411
	5	221	339	730	1118	1659	2884	265	516	747	1276	1635	3220
	6	192	385	639	976	1451	2513	225	449	710	1125	1635	2762
	7	146	293	481	732	1085	1887	180	361	600	892	1296	2184
	7,2	137	274	453	692	1011	1782	156	312	540	768	1128	1978
9	0,4 - 5	251	518	856	1325	1923	3358	301	612	1011	1507	2244	3789
	6	241	500	788	1222	1766	3095	270	553	910	1359	1980	3474
	7	206	398	679	1068	1559	2676	240	492	816	1230	1798	2970
	8	156	314	514	794	1142	2053	180	360	598	903	1288	2247
	8,2	145	292	483	741	1090	1888	165	329	547	826	1176	2056
10	0,4 - 5	275	561	944	1468	2127	3718	330	659	1116	1692	2412	4173
	6	272	551	917	1419	2074	3619	314	628	1065	1615	2301	3983
	7	252	508	838	1268	1871	3249	288	599	1004	1503	2202	3810
	8	213	431	722	1118	1659	2831	240	492	806	1212	1770	3022
	9	163	333	548	843	1244	2152	192	360	658	898	1350	2280
12	1 - 6	330	680	1124	1732	2541	4407	390	792	1300	1978	2844	4917
	8	311	629	1023	1575	2332	4034	360	732	1219	1827	2622	4497
	10	265	533	812	1271	1867	3202	270	553	910	1359	1980	3474
	11	175	364	568	924	1350	2359	210	468	696	1046	1523	2580
	1 - 8	408	839	1373	2138	3118	5403	480	972	1602	2427	3564	6072
15	12	339	656	1068	1629	2441	4250	375	762	1272	1923	2784	4692
	14	199	401	662	1017	1503	2619	255	528	889	1332	1896	3398
	1 - 9	425	863	1460	2178	3165	5343	540	912	1819	2737	3984	6618
17	15	347	709	1190	1816	2694	4712	315	708	1179	1764	2520	4418
	16	207	416	717	1217	1608	2824	255	528	889	1332	1896	3398
	1 - 12	541	1062	1774	2746	4001	6971	615	1254	2379	3153	4578	7911
20	15	459	931	1552	2335	3476	6184	534	900	1799	2707	3940	6738
	17	391	648	988	1748	2840	4698	450	901	1497	2246	3336	5796
	2,5 - 12	685	1337	2191	3360	4971	8392	780	1590	2689	3982	5790	9902
25	15	680	1320	2183	3356	4877	8284	756	1530	2548	3828	5616	9600
	17	641	1256	2084	3156	4670	7866	720	1464	2412	3707	5130	9123
	5 - 15	781	1521	3355	3864	5611	9862	870	1770	2910	4430	6390	10950
28	17	763	1471	3259	3768	5506	9652	840	1724	2820	4320	6180	10680

ORDERING CODES PRV47										
Valve model	VR.47			S.	1			1	A	15
PRV47 – steam (standard)	VR.47									
PRV47G – compressed air and gases	VR.47G									
Body material										
S355JR / 1.0045 or P250GH / 1.0460 carbon steel		(1)								
AISI 316 / 1.4401 stainless steel		I								
Options										
Standard valve for external sensing connection		(1)								
Valve with internal sensing line		O								
Solenoid valve for remote closure and external sensing connection a)		E								
Solenoid valve for remote closure with internal sensing line a)		EO								
Pressure sustaining / reducing for external sensing connection b)		S								
Pressure sustaining / reducing with internal sensing line b)		SO								
Pressure sustaining / reducing / solenoid for external sensing connection a)		Y								
Pressure sustaining / reducing / solenoid with internal sensing line a)		YO								
Diaphragm										
Standard diaphragm				S.						
Low pressure diaphragm				L.						
Regulating range										
Green spring – 0,35 to 2 bar – single diaphragm					1					
Blue spring – 1,5 to 5,5 bar – single diaphragm					2					
Red spring – 3,5 to 8,5 bar – double diaphragm					3					
Black spring – 7 to 17 bar – double diaphragm					4					
Dome loaded – 0,35 to 4 bar – single diaphragm c)					6					
Dome loaded – 2 to 17 bar – double diaphragm c)					7					
Piston rings d)										
Bronze					(1)					
FKM					V					
EPDM					E					
NBR					N					
Drain connection										
Standard valve								(1)		
Drain connection ISO 7 Rp 3/8"								D		
Valve sealing										
Standard metal to metal with hardened plug								1		
Stellited plug and seat								2		
Soft sealed with virgin PTFE d)								3		
Soft sealed with PTFE/GR d)								4		
Soft sealed with Rulon d)								5		
Soft sealed with FPM/Viton d)								6		
Pipe connection										
Threaded ISO 7 Rp									A	
Threaded NPT									C	
Socket weld (SW) ASME B16.11									H	
Flanged EN 1092-1 PN 40									N	
Flanged ASME B16.5 Class 150									U	
Flanged ASME B16.5 Class 300									V	
Size										
DN 15 or 1/2"										15
DN 20 or 3/4"										20
...										
Special valves / Extras										
Full description or additional codes have to be added in case of non-standard combination.										E

a) Solenoid valve voltage must be specified.

b) ADCA PS7 pressure sustaining valve. See respective datasheet for regulating range and further information.

c) The loading control pressure is approximately the same as the required downstream pressure ($\pm 0,2$ bar).

d) Valve limited to the materials maximum operating temperature. Contact manufacturer for more details.