

WAFER BALL VALVES MWS1 and MWi1

DESCRIPTION

The MWS1 and MWi1 series wafer ball valves are compact isolating valves designed for on/off applications with steam, condensate and other gases and liquids compatible with the construction.

MAIN FEATURES

Compact and lightweight flangeless design.
Easily installed and repaired.
Full bore floating ball design.
Bidirectional.
Blow-out proof stem design.
Antistatic device.
ISO 5211 mounting.

OPTIONS: Different sealing materials.
Stem extensions.

USE: Steam, gases and liquids compatible with the construction.

AVAILABLE MODELS:

MWS1 – carbon steel.
MWi1 – stainless steel.

SIZES: DN 15 to DN 150.

CONNECTIONS: Flanged EN 1092-1 PN 16.

INSTALLATION: See IMI – Installation and maintenance instructions.

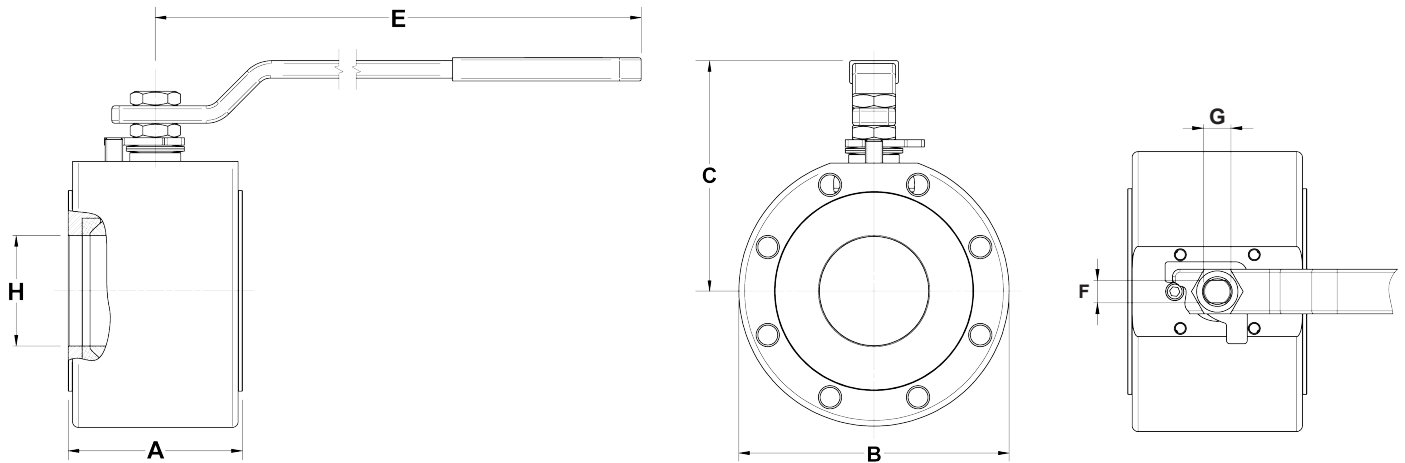


CE MARKING – GROUP 2 (PED – European Directive)

PN 16	Category
DN 15 to DN 50	SEP
DN 65 to DN 150	1 (CE marked)

BODY LIMITING CONDITIONS

MWS1 ALLOWABLE PRESSURE	MWi1 ALLOWABLE PRESSURE	RELATED TEMPERATURE
16 bar	16 bar	-10 / 60 °C
14,8 bar	15 bar	100 °C
14 bar	13,7 bar	150 °C
7 bar	7 bar	220 °C



DIMENSIONS (mm)									
SIZE	A	B	C	E	F	G	H	ISO 5211	WEIGHT (kg)
DN 15	35	88	78	150	–	–	14	NA	1,5
DN 20	42	98	87	185	7,5	M12	19	F04	2
DN 25	46	108	91	185	7,5	M12	25	F04	2,7
DN 32	55	128	106	280	9	M14	32	F05	3,8
DN 40	66	138	111	280	9	M14	38	F05	6,5
DN 50	72	148	120	280	9	M14	48	F05	8
DN 65	98	168	157	380	14	M22	65	F07	15
DN 80	120	188	161	380	14	M22	76	F07	20
DN 100	140	220	181	480	18	M30	95	F07	30
DN 125	177	250	205	480	18	M30	119	F10	47
DN 150	210	280	220	480	18	M30	145	F10	69

NA – Not available.

MATERIALS			
POS. N°	DESIGNATION	MWS1	MW11
1	Body	A105 / 1.0432	AISI 316 / 1.4401
2	Body cap	A105 / 1.0432	AISI 316 / 1.4401
3	Stem	AISI 316 / 1.4401	AISI 316 / 1.4401
4	Ball	AISI 304 / 1.4301	AISI 316 / 1.4401
5	* Seat	PTFE/GR	PTFE/GR
6	* Body gasket	PTFE/GR	PTFE/GR
7	* Stem gasket	PTFE/GR	PTFE/GR
8	Gland	AISI 304 / 1.4301	AISI 316 / 1.4401
9	Lever	Zinc plated steel	Zinc plated steel
10	Gland nut	Zinc plated steel	Zinc plated steel
11	Washer springs	Spring steel	Spring steel
12	Stop pin	Zinc plated steel	Zinc plated steel
13	Stem o-ring	Viton	Viton

* Available spare parts

