

THREE PIECE BALL VALVES M3S1

DESCRIPTION

The M3S1 three piece ball valves are full bore isolating valves designed for on/off applications with steam, condensate and other gases and liquids compatible with the construction.

MAIN FEATURES

- Full bore floating ball design.
- Can be serviced without removal from pipeline.
- Bidirectional.
- Blow-out proof stem design.
- Antistatic device.

OPTIONS: Different sealing materials.
Fire safe design.

USE: Steam, gases and liquids compatible with the construction.

AVAILABLE MODELS: M3S1 – zinc plated carbon steel.

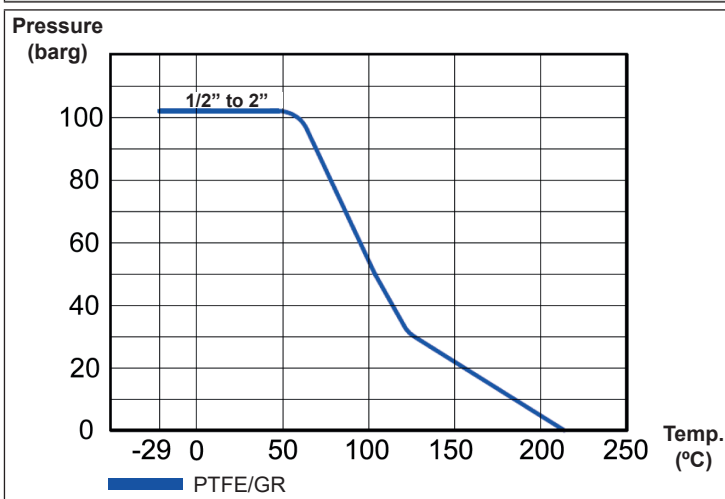
SIZES: 1/2" to 2".

CONNECTIONS: Female threaded ISO 7 Rp or NPT.
Socket weld (SW) ASME B16.11.
Butt weld (BW) ASME B16.25.

INSTALLATION: See IMI – Installation and maintenance instructions.

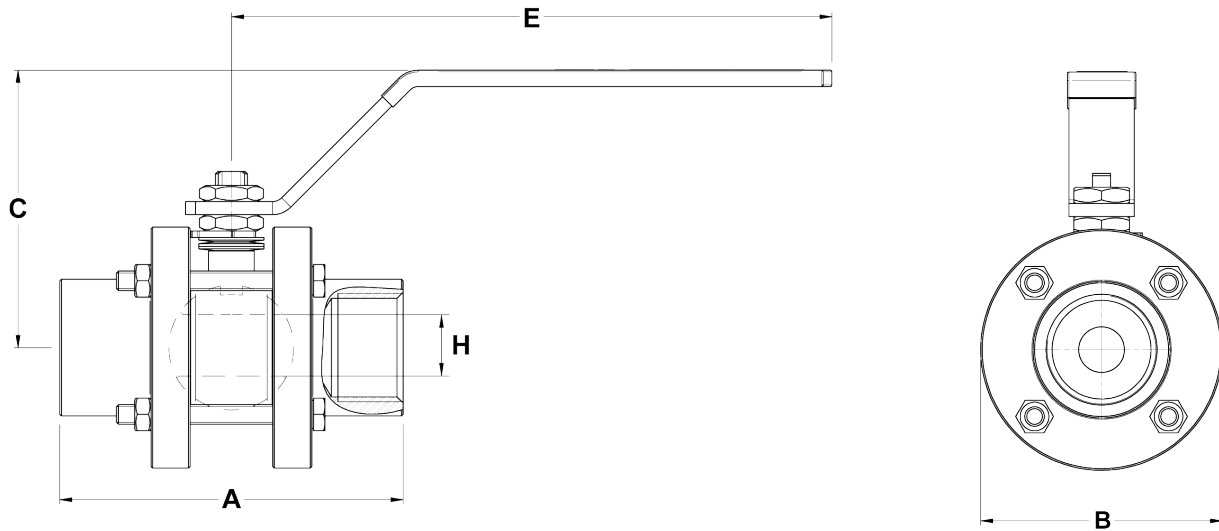


BODY LIMITING CONDITIONS



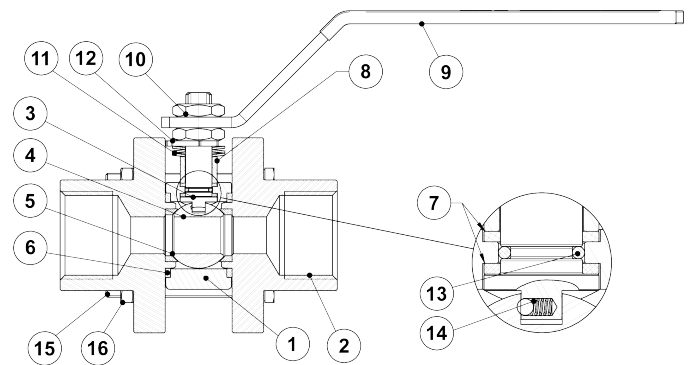
CE MARKING – GROUP 2 (PED – European Directive)

PN 100	Category
1/2" to 11/4"	SEP
11/2" to 2"	1 (CE marked)



DIMENSIONS (mm)						
SIZE	A	B	C	E	H	WEIGHT (kg)
1/2"	80	60	75	145	14	0,7
3/4"	95	80	85	185	20	1,4
1"	105	90	85	185	25	2,2
1 1/4"	120	110	100	270	32	3,3
1 1/2"	130	120	110	270	38	4,3
2"	145	130	115	270	48	7,3

MATERIALS		
POS. N°	DESIGNATION	MATERIAL
1	Body	A105 / 1.0432
2	Body cap	A105 / 1.0432
3	Stem	AISI 316 / 1.4401
4	Ball	AISI 304 / 1.4301
5	* Seat	PTFE/GR
6	* Body gasket	PTFE/GR
7	* Stem gasket	PTFE/GR
8	Gland	AISI 304 / 1.4301
9	Lever	Zinc plated steel
10	Gland nut	Zinc plated steel
11	Washer springs	Spring steel
12	Stop plate	Zinc plated steel
13	Stem o-ring	Viton
14	Anti-static device	AISI 304 / 1.4301
15	Bolts	Zinc plated steel
16	Nuts	Zinc plated steel



* Available spare parts