

FLOAT AND THERMOSTATIC STEAM TRAPS FLT314TW

DESCRIPTION

The FLT314TW is a series of high capacity float and thermostatic steam traps with integral air vent, designed for modulating discharge of condensate to ensure maximum system heat transfer.

Specially designed for applications where continuous drainage is essential and high loads are involved.

MAIN FEATURES

- High capacity.
- Modulating discharge of condensate at steam temperature.
- Unaffected by sudden or wide load and pressure variations.
- No backing-up with condensate.
- Excellent air discharge through its integrated thermostatic air vent.

- OPTIONS:
- Equalizing (vent) and drain connections.
 - HVV – Hand vent valve.
 - BDV – Blowdown valve.
 - AFZ – Anti-freeze device.
 - VB21M – Vacuum breaker.

- USE: Saturated and superheated steam.

- AVAILABLE MODELS: FLT314STW – carbon steel.

- SIZES: 3" – DN 80.

- CONNECTIONS: Flanged EN 1092-1 PN 16.
Flanged ASME B16.5 Class 150.

- INSTALLATION: Horizontal installation.
See IMI – Installation and maintenance instructions.

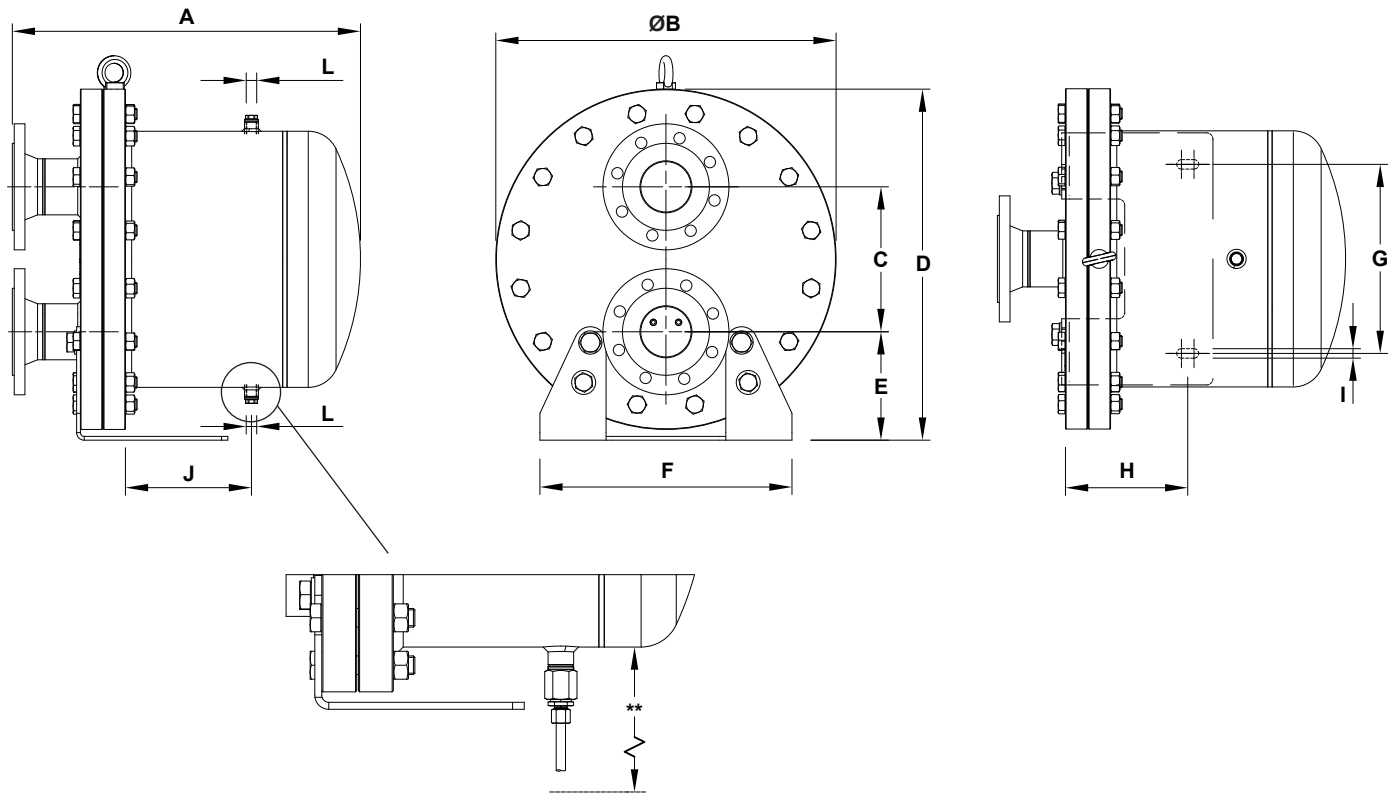


CE MARKING – GROUP 2 (PED – European Directive)	
PN 16	Category
3" – DN 80	2 (CE marked)

BODY LIMITING CONDITIONS *	
FLANGED PN 16 / CLASS 150	RELATED TEMPERATURE
ALLOWABLE PRESSURE	
14,8 bar	100 °C
13,3 bar	200 °C
12,1 bar	250 °C
11 bar	300 °C

PMO – Maximum operating pressure: 12 bar.
TMO – Maximum operating temperature: 250 °C.
Minimum operating temperature: -10 °C.
* According to EN 1092-1:2018.

FLOW RATE CAPACITY (kg/h)																	
MODEL	SIZE	DIFFERENTIAL PRESSURE (bar)															
		0,1	0,3	0,5	1	1,5	2	2,5	3	3,5	4	5	6	7	8	10	12
FLT314STW	3" – DN 80	37600	45400	49000	58000	62000	68000	74000	76000	79000	84000	87000	91000	94000	96000	99000	100000

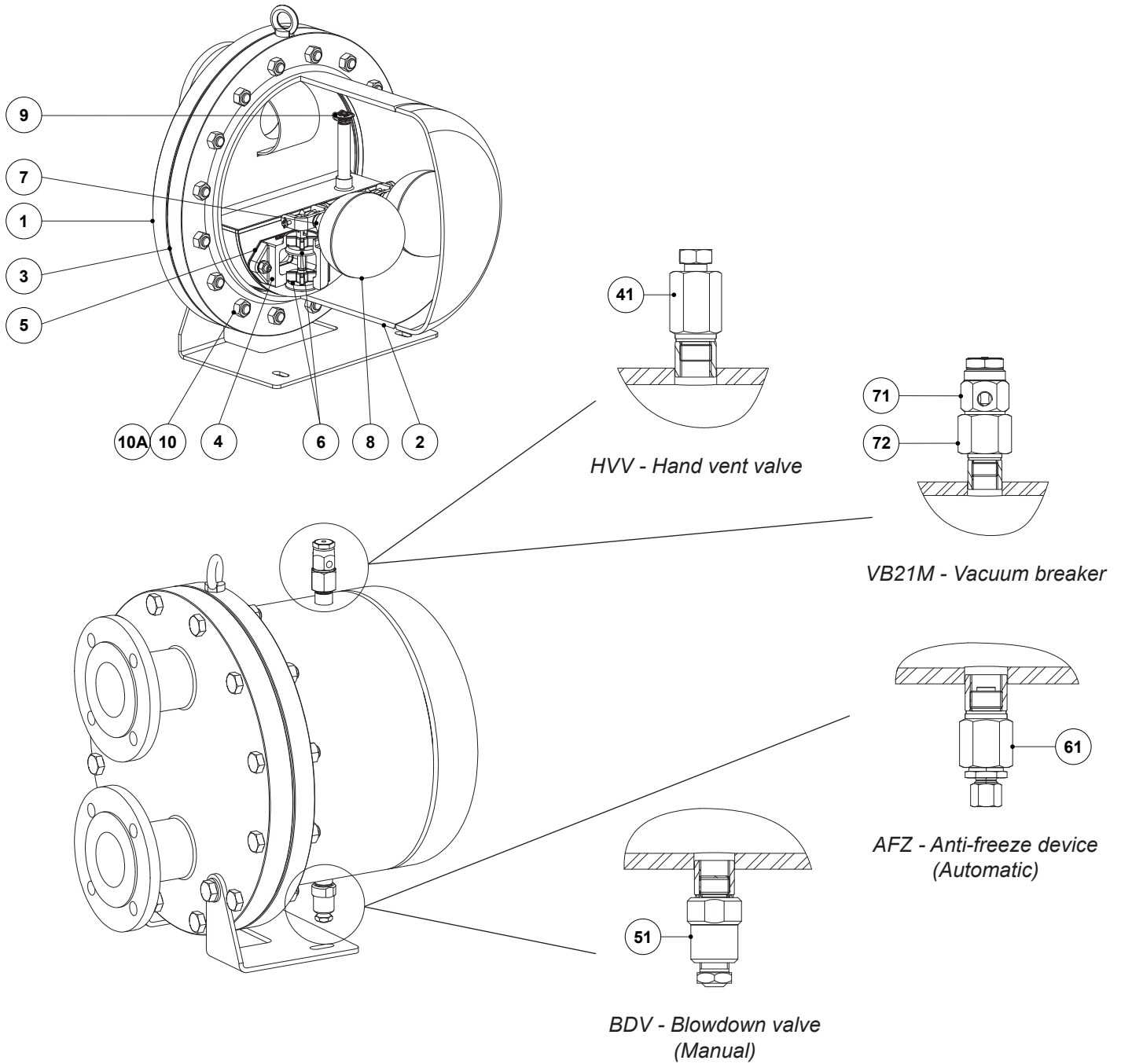


DIMENSIONS (mm)														
MODEL	SIZE	PN 16											Cl. 150	WGT. (kg)
		A	ØB	C	D	E	F	G	H	I	J	L*	A	
FLT314STW	3" – DN 80	552	540	230	557	172	400	300	194	15	200	3/8"	572	160

* As standard, in versions with EN flanges, this connection is female threaded ISO 228. In versions with ASME flanges, this connection is female threaded NPT.

** In case an optional accessory is to be installed on the drain connection ensure there is enough clearance below the unit. A higher supporting frame can be supplied on request.

MATERIALS



MATERIALS

POS. N°	DESIGNATION	MATERIAL	POS. N°	DESIGNATION	MATERIAL
1	Body	P250GH / 1.0460; P235GH / 1.0345; S355J2 / 1.0577; S235JR / 1.0038	9	* Automatic air vent	Stainless steel (thermostatic)
2	Cover	P265GH / 1.0425; P250GH / 1.0460; P235GH / 1.0345; S355J2 / 1.0577; AIO5 / 1.0432	10	Bolts	Steel 8.8
3	* Gasket	Stainless steel / Graphite	10A	Nuts	Steel 8.8
4	* Seat	A351 CF8M / 1.4408	41	Hand vent valve	AISI 303 / 1.4305; AISI 316L / 1.4404
5	* Gasket	Stainless steel / Graphite	51	Blowdown valve	AISI 303 / 1.4305; AISI 316L / 1.4404
6	* Valve	CA-40 / 1.4027; AISI 410 / 1.4006	61	Anti-freeze device	AISI 303 / 1.4305; AISI 316L / 1.4404
7	* Lever	AISI 316 / 1.4401; AISI 304 / 1.4301	71	Vacuum breaker	AISI 303 / 1.4305
8	* Float	AISI 304 / 1.4301	72	Adapter fitting	AISI 303 / 1.4305

* Available spare parts.