

AIR AND GAS FLOAT TRAPS FA16SS

DESCRIPTION

The FA16SS series of fully automatic ball float traps are extremely compact, lightweight and specially designed for draining condensate from compressed air lines.

Usual applications include aftercoolers, separators and compressed air mains.

MAIN FEATURES

Corrosion resistant.

Replaceable internal parts.

Modulating discharge.

Unaffected by sudden or wide load and pressure variations.

OPTIONS: Compression fitting.
Hand purging knob.

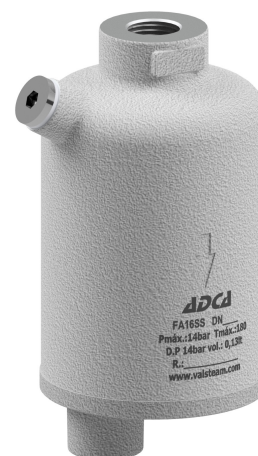
USE: Compressed air and other non corrosive gases compatible with the construction.

AVAILABLE MODELS: FA16SS – stainless steel.

SIZES: 1/2" and 3/4".

CONNECTIONS: Female threaded ISO 7 Rp or NPT.
1/2" or 3/4" vertical inlet (top to bottom).
1/2" vertical outlet.

INSTALLATION: Vertical installation. It must be installed absolutely vertically at the points in the plant where condensate tends to collect.
The drain should be piped to a safe position.
See IMI – Installation and maintenance instructions.



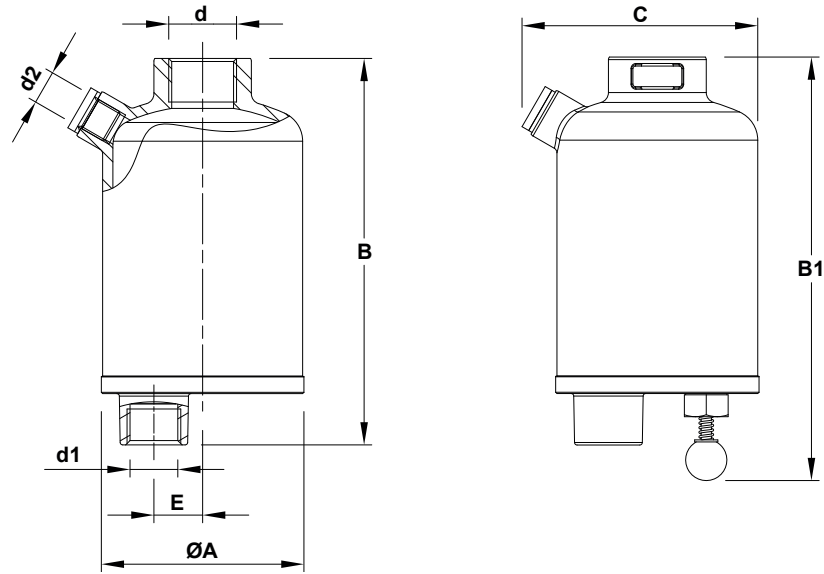
With hand purging knob

CE MARKING – GROUP 2 (PED – European Directive)	
PN 16	Category
1/2" and 3/4"	SEP

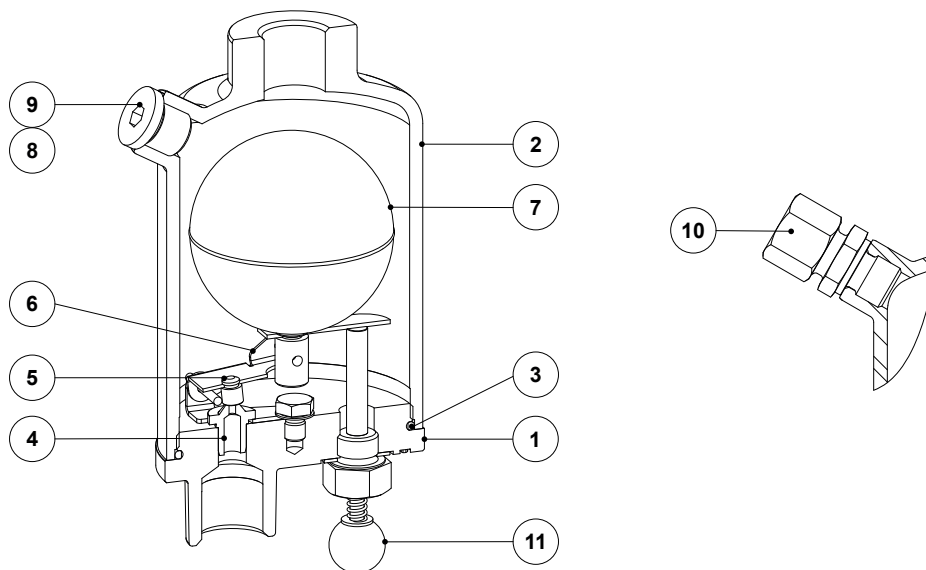
BODY LIMITING CONDITIONS	
THREADED PN 16 ALLOW. PRESS.	RELATED TEMPERATURE
16 bar	100 °C
14,5 bar	150 °C
13,4 bar	200 °C
12,7 bar	250 °C

PMO – Max. operating pressure: 14 bar.
TMO – Max. operating temperature: 180 °C.
Min. liquid specific weight: 0,75 kg/dm³.

FLOW RATE CAPACITY (kg/h)														
MODEL	SIZE	DIFFERENTIAL PRESSURE (bar)												
		0,5	1	1,5	2	3	4	6	7	8	9	10	12	14
FA16SS	1/2" and 3/4"	120	145	180	190	230	250	300	330	340	360	380	400	430



DIMENSIONS (mm)									
SIZE	ØA	B	B1	C	d	d1	d2	E	WEIGHT (kg)
1/2"	80	151	165	92	1/2"	1/2"	1/4"	19	1,6
3/4"	80	151	165	92	3/4"	1/2"	1/4"	19	1,6



MATERIALS					
POS. N°	DESIGNATION	MATERIAL	POS. N°	DESIGNATION	MATERIAL
1	Body	A351 CF8M / 1.4408; AISI 316 / 1.4401	7	* Float	AISI 304 / 1.4301
2	Cover	A351 CF8M / 1.4408; AISI 316 / 1.4401	8	* Gasket a)	** PTFE
3	* O-ring	** NBR	9	Plug	AISI 316L / 1.4404
4	* Seat	AISI 316 / 1.4401	10	Compression fitting b)	AISI 316 / 1.4401
5	* Valve	** Viton	11	Hand purging knob b)	AISI 304 / 1.4301; Plastic
6	* Lever mechanism	AISI 304 / 1.4301			

* Available spare parts. ** Others on request.
a) Not applicable in NPT version. b) Optional.