

DOUBLE WINDOW SIGHT GLASSES DW40S

DESCRIPTION

The DW40S is a series of double window sight glasses specially designed for installation downstream of steam traps, to monitor their performance such as checking for live steam leakage or blockage. Such devices can also be used for monitoring flow conditions in other applications, particularly in pipelines with liquid medium.

MAIN FEATURES

Compact.
Double window design.
Borosilicate glass.

OPTIONS: Mica shield discs for use with steam.

USE: Condensate lines and others.

AVAILABLE MODELS: DW40S – carbon steel.

SIZES: 1/2" to 2"; DN 15 to DN 50.

CONNECTIONS: Female threaded ISO 7 Rp or NPT.
Flanged EN 1092-1 PN 40.
Flanged ASME B16.5 Class 150 or 300.

INSTALLATION: Horizontal or vertical installation.
See IMI – Installation and maintenance instructions.



1/2" to 1"



1 1/4" to 2"



DN 15 to DN 25



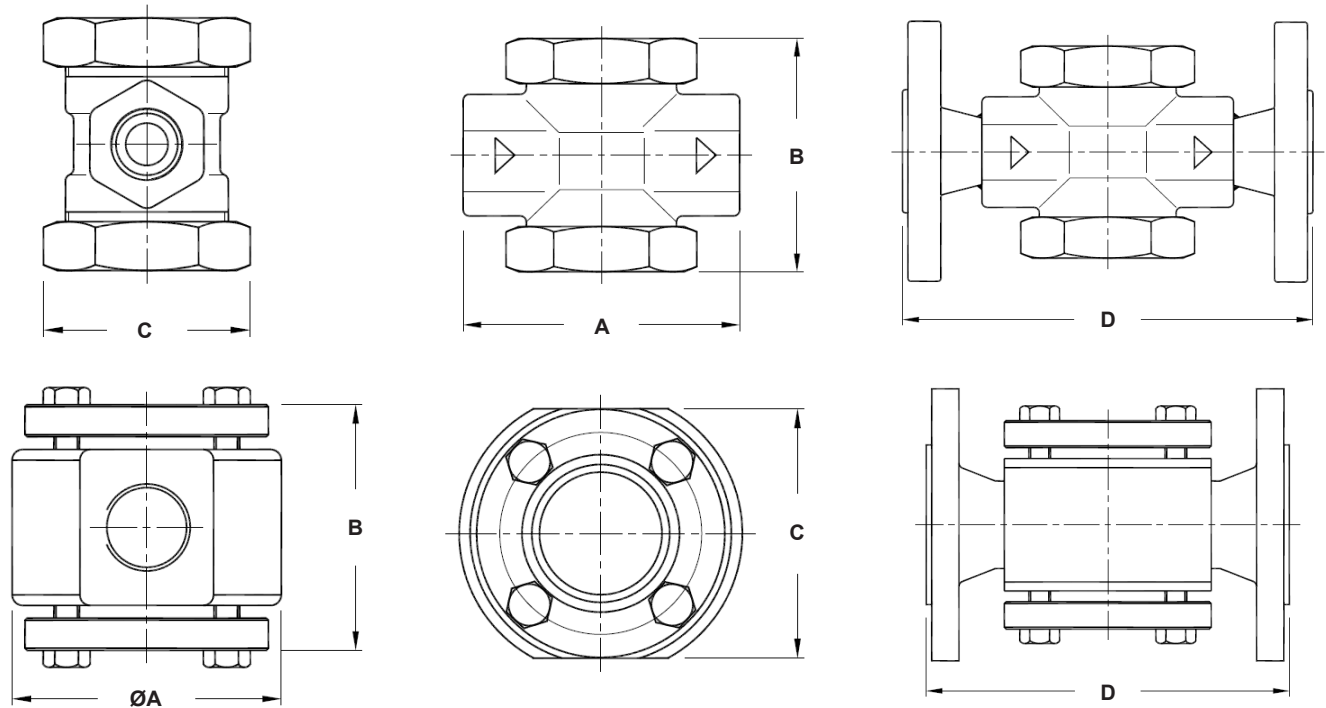
DN 32 to DN 50

CE MARKING – GROUP 2 (PED – European Directive)			
PN 40 / CLASS 300	PN 25	CLASS 150	Category
1/2" to 1" – DN 15 to DN 25	1 1/4" to 1 1/2" – DN 32 to DN 40	1/2" to 2"	SEP
–	2" – DN 50	–	1 (CE Marked)

BODY LIMITING CONDITIONS			
PN 40 / CLASS 300 *	PN 25 *	CLASS 150 **	RELATED TEMPERATURE
ALLOWABLE PRESSURE	ALLOWABLE PRESSURE	ALLOWABLE PRESSURE	
40 bar	25 bar	19,3 bar	-10 / 50 °C
37,1 bar	23,2 bar	17,7 bar	100 °C
35,2 bar	22 bar	15,8 bar	150 °C
33,3 bar	20,8 bar	14 bar	200 °C
28,7 bar	17,9 bar	11,7 bar	280 °C

* According to EN 1092-1:2018; ** According to EN 1759-1:2004.

Remarks: For applications with steam, use mica shield discs;
Rating PN 40 for sizes up to DN 25; Rating PN 25 for sizes from DN 32 to DN 50;
Rating PN 40 or lower for threaded versions.



DIMENSIONS (mm)

SIZE	THREADED				PN 40		CLASS 150		CLASS 300	
	A	B	C	WEIGHT (kg)	D	WEIGHT (kg)	D	WEIGHT (kg)	D	WEIGHT (kg)
1/2" – DN 15	90	80	60	1	150	2,8	150	2,2	150	2,6
3/4" – DN 20	90	80	60	1	150	3,2	150	2,6	150	3,5
1" – DN 25	100	87	65	1,2	160	3,7	160	3,3	160	4,1
1 1/4" – DN 32	130	115	114	7,4	180	11	180	10,2	180	11,3
1 1/2" – DN 40	130	115	114	7,2	200	11,5	200	11	200	12,7
2" – DN 50	130	125	114	7,7	230	13,5	230	13	230	14,3

MATERIALS

POS. N°	DESIGNATION	1/2" to 1" DN 15 to 25	1 1/4" to 2" DN 32 to 50
1	Body	P250GH / 1.0460	S355JR / 1.0045 P250GH / 1.0460
2	Glass nut / flange	P250GH / 1.0460	S355JR / 1.0045
3	* Gasket	Stainless steel / Graphite	Stainless steel / Graphite
4	* Window glass	Borosilicate glass	Borosilicate glass
5	Bolts	–	Steel 8.8

* Available spare parts.

