

## DOUBLE WINDOW SIGHT GLASSES DW12G and DW12SS

### DESCRIPTION

The DW12 is a series of double window sight glasses specially designed for installation downstream of steam traps, to monitor their performance such as checking for live steam leakage or blockage. Such devices can also be used for monitoring flow conditions in other applications, particularly in pipelines with liquid medium.

### MAIN FEATURES

Compact and cost-effective.  
Double window design.  
Borosilicate glass.

OPTIONS: Mica shield discs for use with steam.

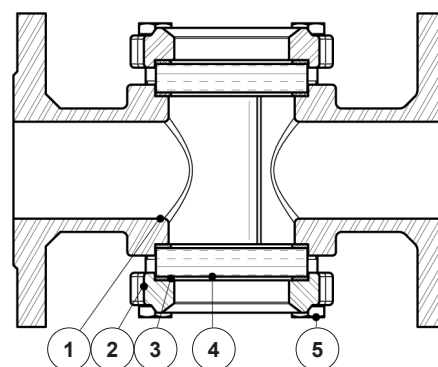
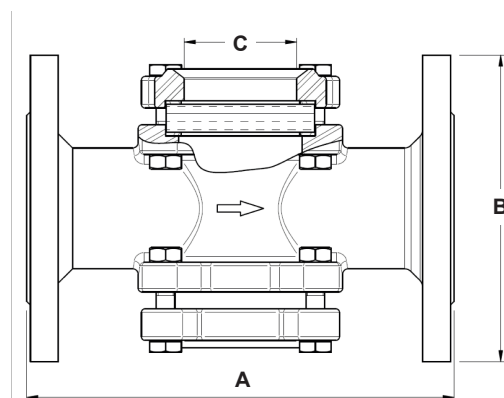
USE: Condensate lines and others (see "Body limiting conditions" table).

AVAILABLE MODELS: DW12G – cast iron.  
DW12SS – stainless steel.

SIZES: DN 15 to DN 150.

CONNECTIONS: Flanged EN 1092-1/-2 PN 16.

INSTALLATION: Horizontal or vertical installation.  
See IMI.



CE MARKING – GROUP 2 (PED – European Directive)	
PN 16	Category
DN 15 to DN 50	SEP
DN 65 to DN 150	1 (CE marked)

BODY LIMITING CONDITIONS			
DW12G *		DW12SS	
ALLOWABLE PRESSURES	RELATED TEMPERATURE	ALLOWABLE PRESSURES	RELATED TEMPERATURE
16 bar	-10 / 120 °C	16 bar	-10 / 50 °C
14,4 bar	150 °C	14,5 bar	150 °C
12,8 bar	200 °C	13,4 bar	200 °C
11,8 bar	230 °C	12,9 bar	230 °C
10,5 bar	280 °C	12,2 bar	280 °C

For applications with steam, use mica shield discs.

\* Warning: The eventual use with steam/gas should be analyzed in accordance with the local applicable legislation, and always ensuring that there is no risk of water hammer.

MATERIALS			
POS. N°	DESIGNATION	DW12G	DW12SS
1	Body	GJL-250 / 0.6025	A351 CF8M / 1.4408
2	Cover	GJL-250 / 0.6025	A351 CF8M / 1.4408
3	* Gasket	Stainless steel / Graphite	Stainless steel / Graphite
4	* Window glass	Borosilicate glass	Borosilicate glass
5	Bolts	Steel 8.8	Stainless steel A2-70

\* Available spare parts.

DIMENSIONS (mm)					
SIZE	A	B	C	WEIGHT (kg)	
				DW12G	DW12SS
DN 15	130	95	44	3	3
DN 20	150	105	44	3,5	4
DN 25	160	115	44	4	5
DN 32	180	140	50	6	6,5
DN 40	200	150	50	6,5	7,3
DN 50	230	165	60	9	10,5
DN 65	290	185	90	17	17
DN 80	310	200	90	18	20
DN 100	350	220	110	23	26,5
DN 125	400	250	142	50	52
DN 150	480	285	160	63	68