

TDS CONTROLLER FOR STEAM GENERATORS BCS211

DESCRIPTION

The ADCATrol BCS211 is a TDS controller/limiter specially designed for use with steam generators. The basic system is composed by a SPS series conductivity probe, a BCS211 controller and a VPC series TDS blowdown control valve.

OPERATION

The BCS211 controller continuously measures, at the electrode rod in the measuring cell, the electrical conductivity of the boiler water, which is closely related to the level of TDS.

The measured value is compared with the set point of the controller. If the measured value exceeds the set point, the controller opens the blowdown valve using its relay output (lighting up the "Alarm" indicator lamp).

Once the measured value drops below 78% of the set point, the controller relay is energized, closing the blowdown valve (the "Alarm" indicator lamp turns off).



MAIN FEATURES

Simple design, easy to set.

Compatible with SPS21 and SPS33 series conductivity probes.

Volt-free relay alarm output.

4 to 20 mA analog output for remote monitoring purposes.

Quick performance test by pressing and holding the "TEST K" button.

Assembly in 35 mm rail mounting acc. to DIN EN 50022 or directly screwed on to the chassis plate.

OPTIONS AND

ACCESSORIES: Digital displays and process controllers.

AVAILABLE

MODELS: BCS211 – 0 to 10000 µs/cm.
BCS211B – 0 to 1000 µs/cm.

TECHNICAL DATA

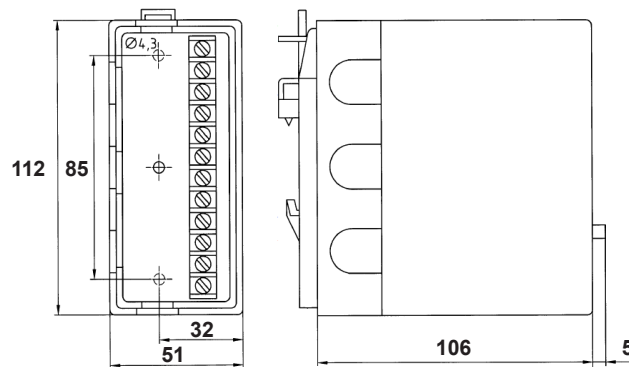
GENERAL	
Supply voltage	196 to 265 V AC, 5 W max.
IP rating	IP 40 *
Material	Housing in PC/ABS
Ambient temperature	0 to 60 °C
Fuse	80 mA/T
Component mark (CE)	0035 ** TUV ID: 000006175

INPUTS AND OUTPUTS	
Conductivity input	0 to 10000 $\mu\text{S}/\text{cm}$ (BCS211) 0 to 1000 $\mu\text{S}/\text{cm}$ (BCS211B)
Conductivity set point range	1000 to 10000 $\mu\text{S}/\text{cm}$ (BCS211) 100 to 1000 $\mu\text{S}/\text{cm}$ (BCS211B)
Analog output	4 to 20 mA, non adjustable
Relay output	1 change-over volt free contact 5 A @ 250 V AC

* According to German regulations Vd TUV – Wasserstand 100, 4,90 a protection of IP 54 has to be maintained in the boiler area.

** According to PED directive annex VII (Module B+D, category II).

DIMENSIONS (mm)



ELECTRICAL CONNECTIONS

