

ADCATHERM TRAY TYPE DEAERATORS TDG

DESCRIPTION

The TDG series tray type thermal deaerators are designed to heat boiler feed water and reduce oxygen and carbon dioxide levels (oxygen levels in the feed water of less than 0,02 mg/l - 0,02 ppm can be achieved). Remaining oxygen can be completely removed using oxygen scavenging chemicals.

Basically, the complete system consists of a storage vessel, a deaeration section and a vent.

OPERATION

Returning condensate and softened make-up water are introduced in the deaerator dome to be heated by a contact cascade steam heating system (counter-current flow). Most of the dissolved gases are liberated from the water at this point, and they are released to the atmosphere through the flash steam vent line.

The deaerated water then falls to the storage vessel below, where a steam blanket ensures that no gases are reabsorbed.

A sparger pipe is installed inside the tank, at the bottom level, providing the necessary heating energy. A second low pressure steam supply may also be necessary.

The complete unit is supplied including all the necessary instrumentation for temperature, pressure and level control, to be described in our offer depending on the operation conditions (see Table 1).

MAIN FEATURES

Turndown (max./min. flow) – 100:1.

Long life expectancy.

OPTIONS: Complete stainless steel construction.
 Complete system including all the necessary equipment.
 Two stage deaerators.
 Vent condenser for energy recover

USE: Steam boiler feed water.

AVAILABLE

MODELS: TDG – deaerator dome.

CONNECTIONS: Flanged EN 1092-1 or ASME.
 ISO or NPT threaded sockets.
 Different connections on request.

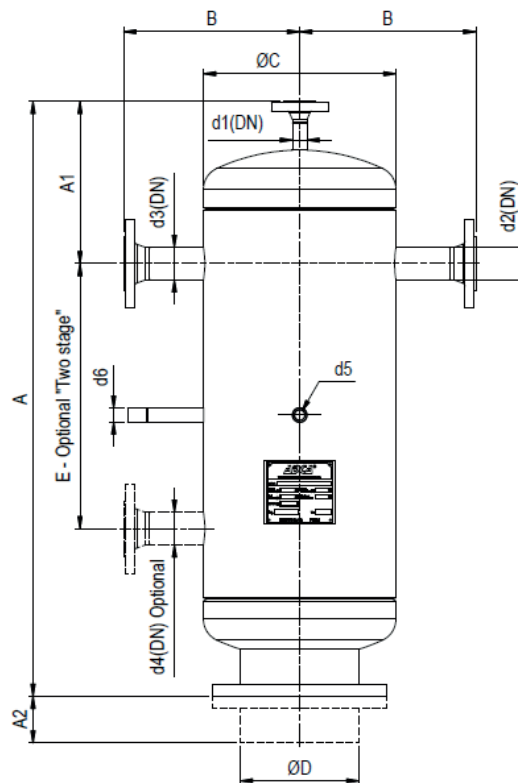
CONSTRUCTION: Carbon steel with internal stainless steel components.

INSTALLATION: Deaerator dome – vertical installation.
 Storage vessel – cylindrical horizontal design.
 Final dimensions and connections according to the drawing supplied after order confirmation.



LIMITING CONDITIONS	
PS – Maximum allowable pressure	0,5 bar
TS – Maximum allowable temperature	120 °C

Minimum operating temperature: -10 °C;
 Design code: AD-Merkblatt.
 Remark: other conditions and CE marking on request.



DIMENSIONS (mm)														
MODEL	FLOW *	A	A1	A2	B	C	D	d1	d2	d3	d4	d5	d6	WGT. (kg)
TDG-10	1	950	265	250	260	220	220	DN 15	DN 25	DN 25	DN 50	G 1/2"	G 1/2"	47,2
TDG-20	2	950	265	250	290	273	220	DN 20	DN 25	DN 25	DN 50	G 1/2"	G 1/2"	56,1
TDG-40	4	1100	300	300	325	355	220	DN 20	DN 50	DN 50	DN 50	G 1/2"	G 1/2"	96,1
TDG-60	6	1250	320	300	380	457	273	DN 32	DN 50	DN 50	DN 80	G 1/2"	G 1/2"	163,4
TDG-100	10	1400	355	300	425	508	324	DN 32	DN 80	DN 80	DN 100	G 1/2"	G 1/2"	225,7
TDG-140	14	1550	380	300	475	610	407	DN 32	DN 80	DN 80	DN 100	G 1/2"	G 1/2"	330,4
TDG-200	20	1950	410	300	550	813	508	DN 32	DN 100	DN 100	DN 100	G 1/2"	G 1/2"	528,4

* Maximum flow rate in m³/h (heating from 10 °C to 105 °C).

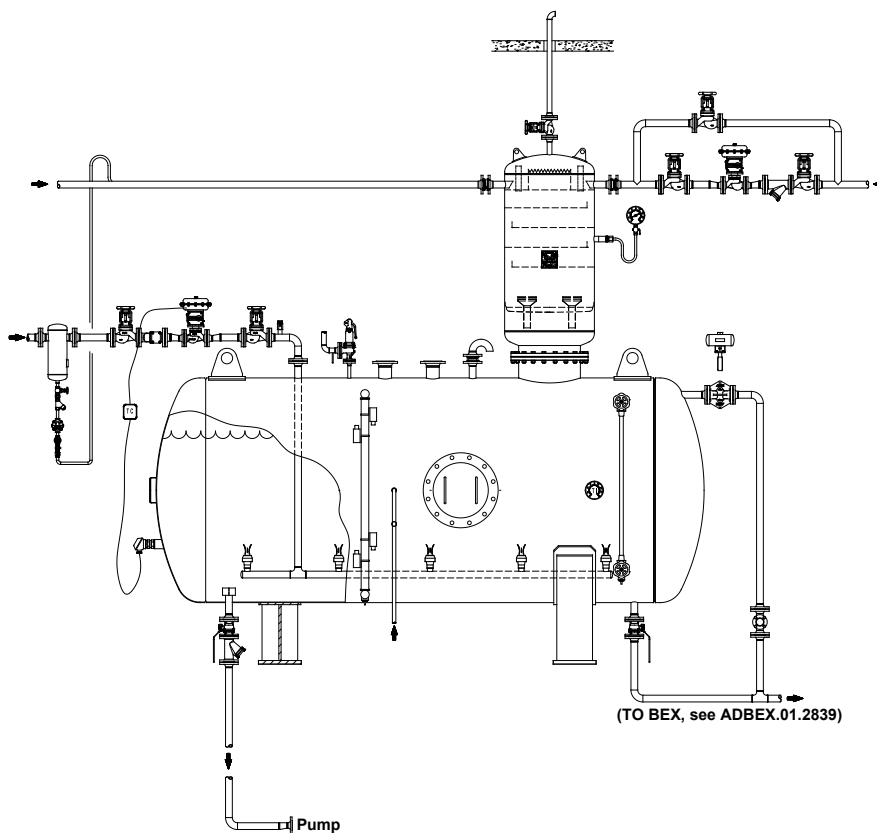
Remarks: d1 to d6 and certified dimensions supplied after complete data evaluation.

THERMAL DEAERATOR DATA INQUIRY		
Make-up water pressure		bar
Make-up water temperature		°C
Make-up water flow rate		kg/h
Condensate return pressure		bar
Condensate temperature		°C
Condensate flow rate		kg/h
Saturated heating steam pressure		bar
Feed water tank required capacity		m ³
Max. deaerated water flow required		kg/h

Table 1

TYPICAL INSTALLATION

**Thermal deaerator system with cold make-up water
 (without dome steam injection)**

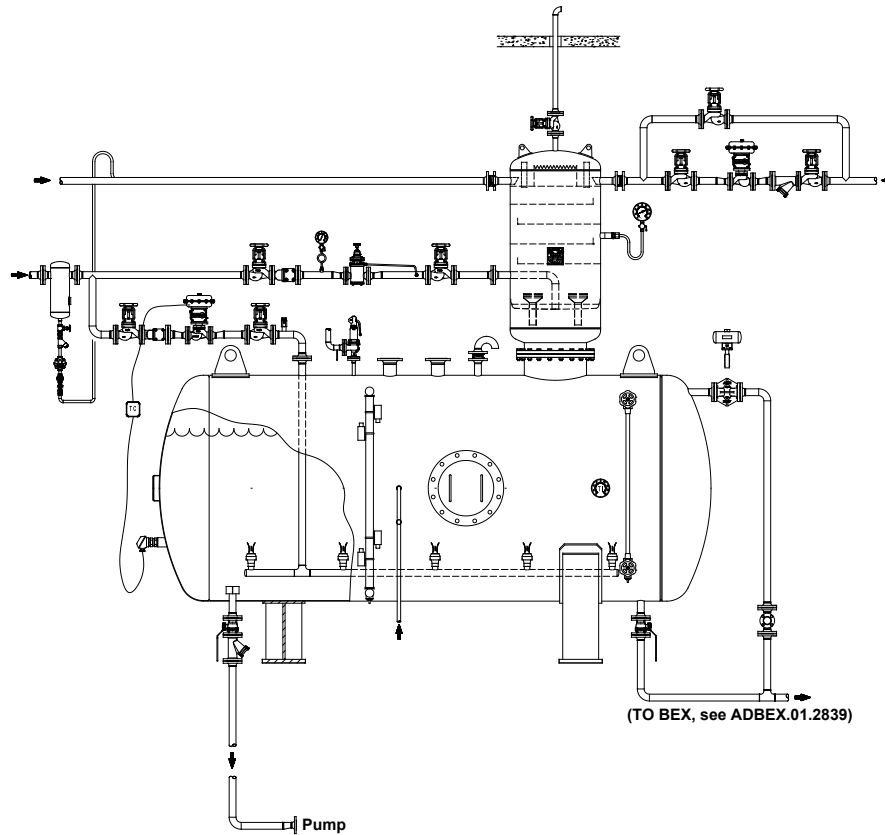


If a high percentage of hot condensate is recovered, the direct steam injection in the deaerator tower is usually unnecessary, as the heating steam supplied through the steam injection system is, in most cases, enough.

For more detailed information please consult assembly drawing ADTDGV.04.2843.

TYPICAL INSTALLATION

**Thermal deaerator system with cold make-up water
 (with dome steam injection)**

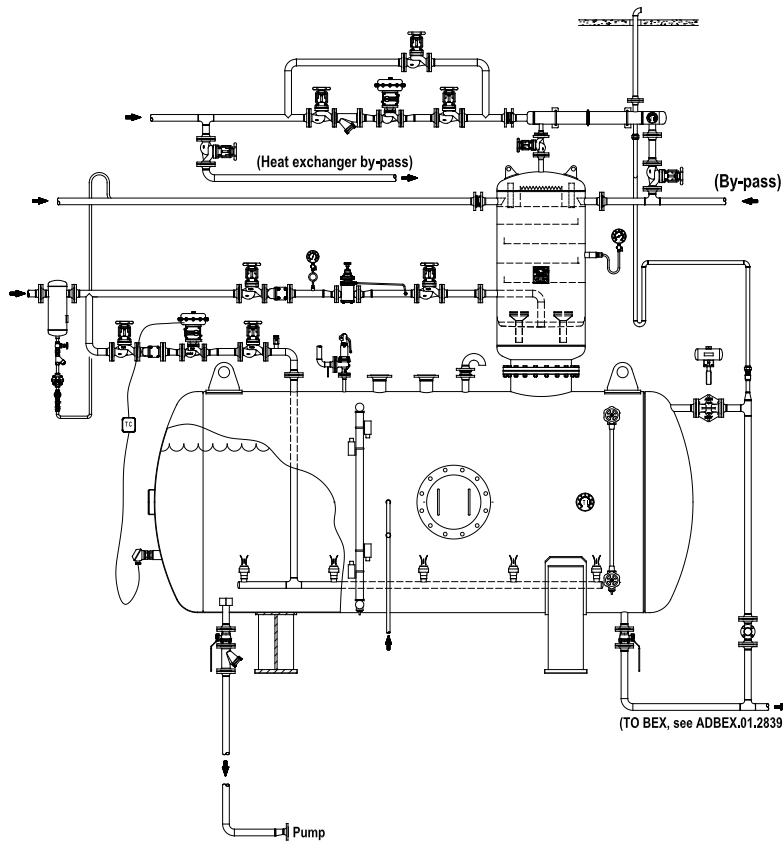


In systems where condensate return is negligible and/or high flow rates are involved, an additional dome steam injection should be provided.

For more detailed information please consult assembly drawing ADTDGV.01.2597.

TYPICAL INSTALLATION

Thermal deaerator system with vent condenser

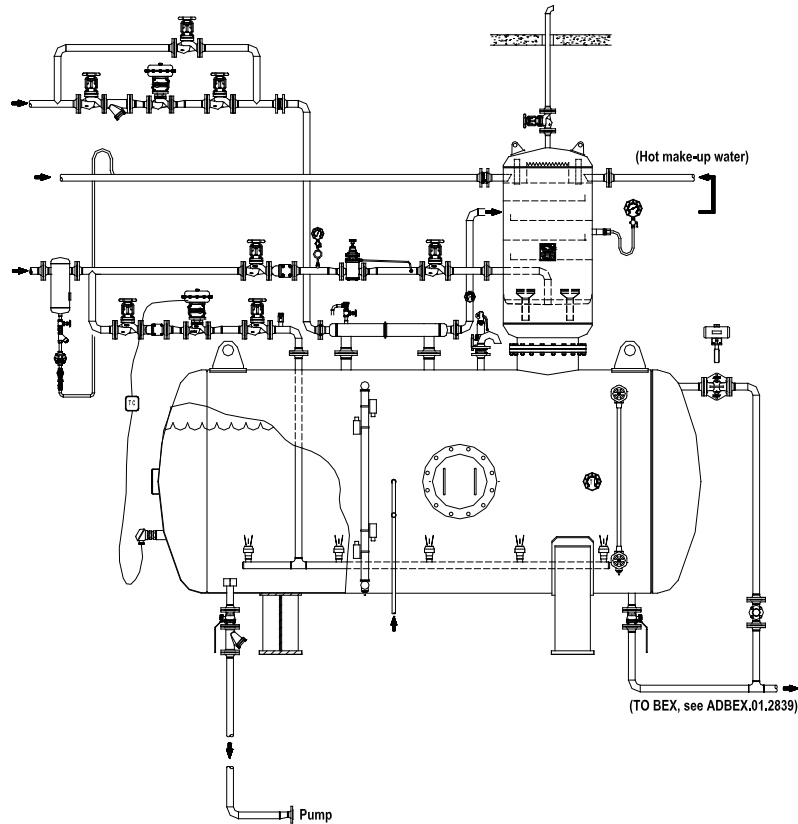


Thermal deaerators, including ADCAThorm STS series complete stainless steel heat exchanger. Make-up water crossing the heat exchanger will condense the flash steam, preventing energy waste and increasing performance of the whole system.

For more detailed information please see assembly drawing ADTDGV.02.2841.

TYPICAL INSTALLATION

Thermal deaerator system with pre-heating make-up water heat exchanger



Thermal deaerator with low pressure steam to water ADCAThorm STS complete stainless steel heat exchanger, providing make-up water heating.

For more detailed information please see assembly drawing ADTDGV.03.2842.