

## Model 1216 HP PN100 High pressure

### Description

Type	Safety and Relief valve		
Connections / Rating	Threaded BSP / NPT	PN-100	
Material	Stainless steel 316 L	Temperature range -30°C to +350°C	Cryogenic service until -196°C

### Technical information

Applications	Steam, gases, vapours and liquids		
Min. Set pressure	30 barg	Max. Set pressure	86 barg
Overpressure	10%		
Blowdown	Gases 10%, liquids 20%		
Tolerance Set pressure	± 3%		

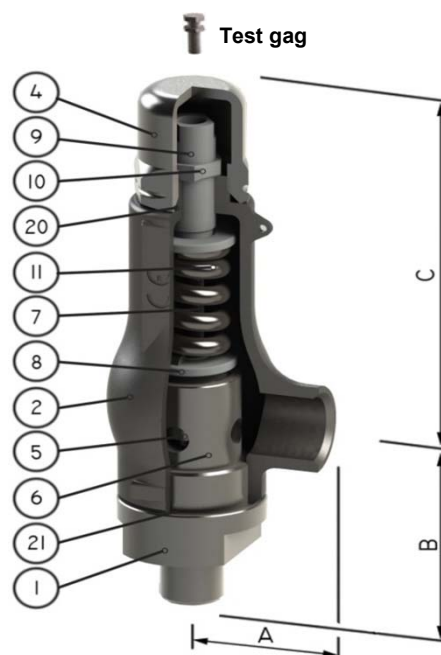
### Requirements

Calculation	EN-4126-1 / 7
Design	EN-12516-1, EN-4126-1 / 7 DIN 259 and ANSI B2.1
Materials	EN
Inspection	EN-4126-1 / 7

### Construction and materials

Item	Description	Material	
		Standard	Cryogenic
1	Nozzle	AISI-316L	AISI-316L
2	Body	A351 CF-3M	A351 CF-3M
4	Cap	A351 CF-8	A351 CF-8
5	Disc	17-4-PH	17-4-PH
6	Guide	AISI-316L	AISI-316L
7	Push Rod	AISI-316L	AISI-316L
8	Spring Button	AISI-303	AISI-303
9	Ajusting Screw	AISI-303	AISI-303
10	Tensor Nut	AISI-303	AISI-303
11	Spring	INCONEL X 750	INCONEL X 750
12	Lever	A351 CF8	A351 CF8
17	Release nut	AISI-304	AISI-304
18	Lever axis	AISI-303	AISI-303
19	Packing lever axis	AISI-303	AISI-303
20	Gasket cap	PTFE	PTFE
21	Gasket	GRAPHITE + S.S.	GRAPHITE + S.S.
22	Gasket pack. lever	Viton	Viton

Recommended spare parts



### Options

#### Lifting device



#### Sealed packing lever



### Dimensions

	PN	Orifice (mm)	Area (mm <sup>2</sup> )	A (mm)	B (mm)	C (mm)	Weight (kg)
1" x 2"	PN-100	16	201	62	100	235	5
1 1/4" x 2"	PN-100	18	254	62	100	235	5
1 1/2" x 2"	PN-100	20	314	62	100	235	6
2" x 2"	PN-100	22	380	62	100	235	6,3