

## TWO-WAY HYGIENIC CONTROL VALVES V926H

### DESCRIPTION

The ADCAPure V926H is a series of single seated two-way hygienic control valves with angle connections.

These valves are designed to regulate and accurately control flow of liquids and gases and are suitable for hygienic applications found in the pharmaceutical, cosmetic, fine chemical and food & beverage industries.

The V926H can be assembled with pneumatic, hydraulic or electric actuators, for modulating and shut-off control tasks.

### MAIN FEATURES

- Completely manufactured from bar stock material.
- Body and bonnet are connected by a clamp connection, allowing fast and easy maintenance procedures.
- Cavity-free with no air trap locations.
- Metal to metal or soft sealing.
- Self-drainable design.

### STANDARD SURFACE FINISH

- Internal wetted parts:  $\leq 0,51 \mu\text{m Ra} - \text{SF1}$ .
- External:  $\leq 0,76 \mu\text{m Ra} - \text{SF3}$ .
- Other surface conditions see TIS.GIA – General information ADCAPure.
- Ultrasonic cleaning.

- OPTIONS:
- Soft valve sealing.
  - Reduced bore trims.
  - Steam barrier.
  - Inline connections.

- USE:
- Saturated steam, hot and superheated water.
  - Process fluids, liquids, air and gases compatible with the construction.

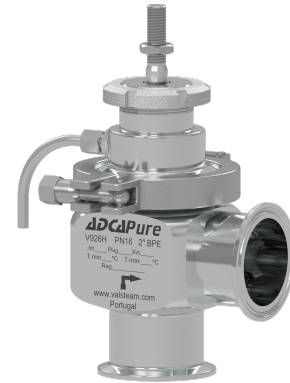
- AVAILABLE MODELS:
- V926H.

- SIZES:
- 1/2" to 4".

- CONNECTIONS:
- ASME BPE clamp ferrules or tube weld (ETO) ends. Others on request.

- PACKAGING:
- Assembling and packaging in a clean room certified according to ISO 14644-1.
  - The product is end capped and sealed with recyclable thermo-shrinkable plastic film, to avoid contamination.

- INSTALLATION:
- Horizontal installation. Vertical inlet and horizontal outlet. See IMI – Installation and maintenance instructions.





CE MARKING – GROUP 2 (PED – European Directive)	
PN 16	Category
1/2" to 2"	SEP
2 1/2" to 4"	1 (CE marked)

LIMITING CONDITIONS *	
Maximum allowable pressure	16 bar @ 20 °C
Maximum operating pressure	10 bar
Maximum operating pressure (steam)	6 bar
Maximum operating temperature	150 °C
Maximum operating temperature (steam and water) **	170 °C
Minimum operating temperature	-10 °C

\* Other limits on request. Maximum operating conditions may be limited by the valve end connections due to normative restrictions.

\*\* With EPDM seals.

PLUG DESIGN

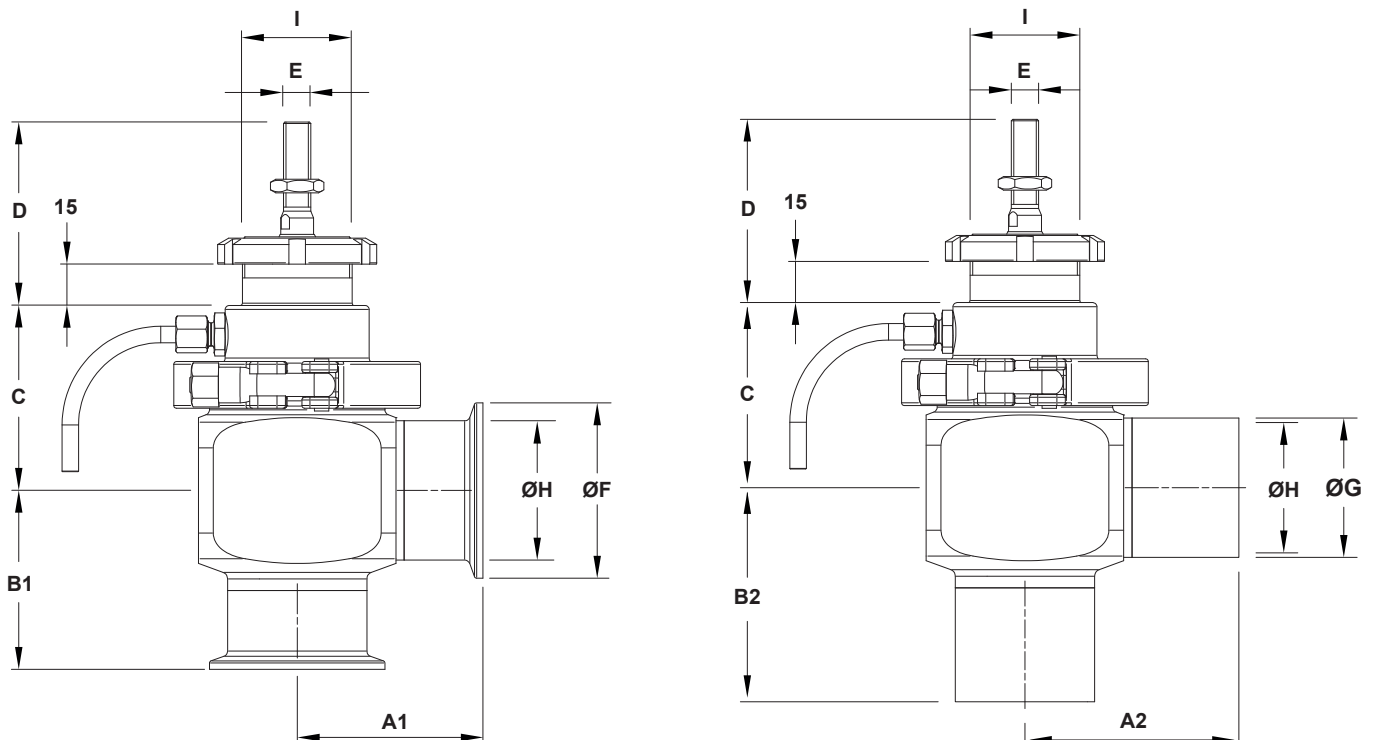
PARABOLIC		PARABOLIC (SOFT SEALING)	
	<p><b>Sealing:</b> Metal to metal</p> <p><b>Characteristic:</b> Equal percentage (EQP) or linear (PL)</p> <p><b>Flow direction:</b> From below</p> <p><b>Rangeability:</b> 50:1 (EQP) or 30:1 (PL)</p> <p><b>Leakage:</b> Class IV, acc. to IEC 60534-4</p>		<p><b>Sealing:</b> EPDM, PTFE or FPM</p> <p><b>Characteristic:</b> Equal percentage (EQP) or linear (PL)</p> <p><b>Flow direction:</b> From below</p> <p><b>Rangeability:</b> 50:1 (EQP) or 30:1 (PL)</p> <p><b>Leakage:</b> Class VI, acc. to IEC 60534-4</p>

FLOW RATE COEFFICIENTS – PARABOLIC PL AND EQP PLUGS

SIZE	Kvs (m³/h)																										
	0,1 *	0,25 *	0,5 *	1	1,5	2	2,3	2,9	4	6,3	10	16	25	40	63	100	160										
1/2"	•	•	•	•	•	•																					
3/4"							•	•	•																		
1"								•	•	•																	
1 1/2"									•	•	•	•															
2"											•	•	•	•													
2 1/2"												•	•	•													
3"													•	•	•												
4"														•	•	•	•										
SEAT Ø (mm)	4			8			12			15		19,2		25		32		38		47/50		65		76		96	
STROKE (mm)	15										20					30											

\* Microflow is only available with linear characteristic and metal to metal sealing.  
For conversion  $Kvs = Cv (US) \times 0,865$ .

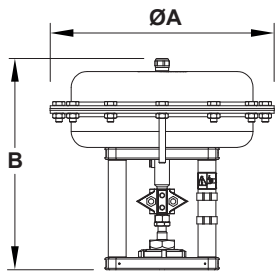
DIMENSIONS



DIMENSIONS (mm)									
DIMENSION	SIZE								
	1/2"	3/4"	1"	1 1/2"	2"	2 1/2"	3"	4"	
A1	52	52	54	68	68	72	92	98	
A2	52	56	59	76	78	92	115	119	
B1	41	45	51	62	65	78	86	98	
B2	41	51	57	70	78	98	109	125	
C	55	54	57	63	68	75	94	106	
D	67 / 77 *					70 / 77 *			
E	M10 / M10 x 1 *								
ØF	25	25	50,4	50,4	63,9	77,4	90,9	118,9	
ØG	12,7	19,1	25,4	38,1	50,8	63,5	76,2	101,6	
ØH	9,4	15,8	22,1	34,8	47,5	60,2	72,9	97,4	
I	M40 x 1,5						M45 x 1,5		
WEIGHT (kg)	1,5	1,5	1,7	2,9	3,5	4,2	9,6	14,6	

\* When ordering without actuator specify the preferred dimension, if any.

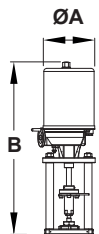
Remarks: Face to face dimensions are not standardized. Different dimensions available on request.



DIMENSIONS – PA SERIES PNEUMATIC ACTUATORS (mm)								
DIMENSION	PA10	PA206	PA25	PA281	PA40	PA341	PA436	PA80
ØA	170	209	250	275	300	336	430	405
B	251	236	260	243	325	288	316 / 336 *	505
WEIGHT (kg)	6,3	6,2	10,1	9,6	18,7	14,3	24,4 / 28 *	50,4

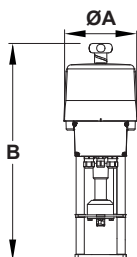
\* For actuators with spring ranges 1 - 2 bar; 1,5 - 3 bar and 2 - 4 bar.

For more information, please consult IS PA.100 and IS PA.140 – PA Linear pneumatic actuators.



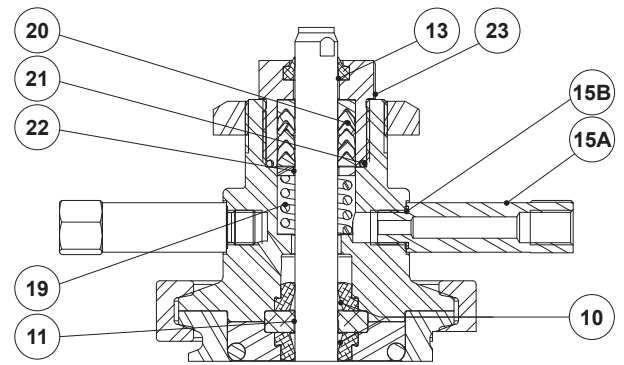
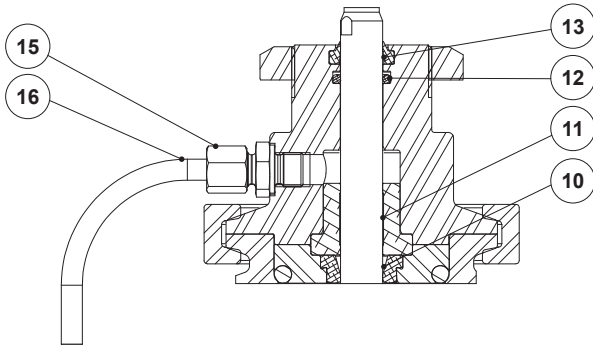
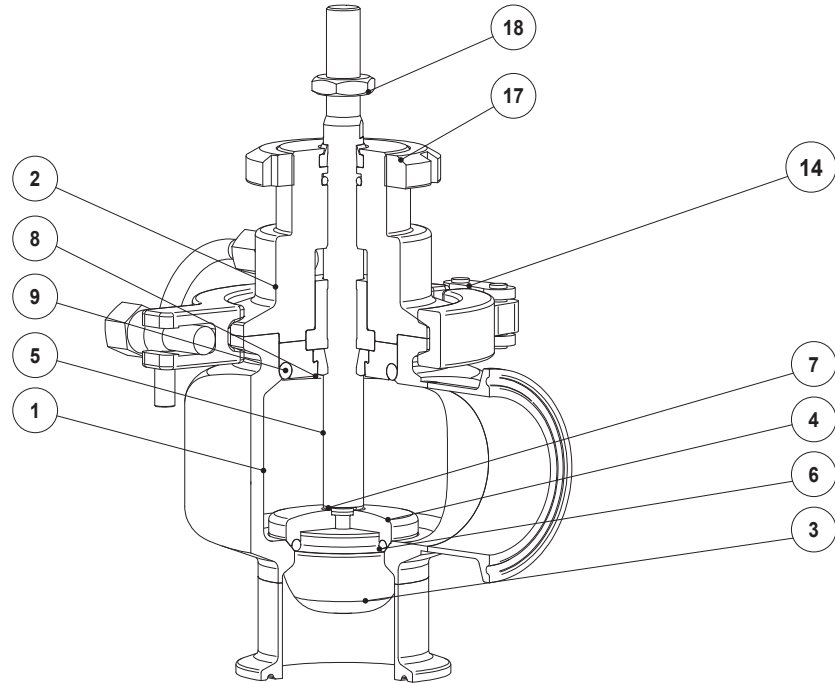
DIMENSIONS – EL SERIES ELECTRIC ACTUATORS (mm)					
DIMENSION	EL12	EL20	EL45	EL80	EL120
ØA	129	148	148	188	188
B	333	485	485	587	587
WEIGHT (kg)	2,1	8	8	13	13

For more information, please consult IS EL.012 – EL Linear electric actuators.



DIMENSIONS – ELS SERIES ELECTRIC ACTUATORS (mm)				
DIMENSION	ELS20	ELS45	ELS80	ELS100
ØA	180	180	180	180
B	518	518	555	555
WEIGHT (kg)	4,5	4,5	7,2	7,2

For more information, please consult IS ELS.020 – ELS Intelligent linear electric actuators.



Optional steam barrier

**MATERIALS**

POS. N°	DESIGNATION	MATERIAL	POS. N°	DESIGNATION	MATERIAL
1	Valve body	AISI 316L / 1.4404	14	Clamp	AISI 316 / 1.4401
2	Bonnet	AISI 316L / 1.4404	15	Compression fitting	AISI 304 / 1.4301
3	* Valve plug	AISI 316L / 1.4404	15A	Nipple	AISI 316L / 1.4404
4	* Plug disc	AISI 316L / 1.4404	15B	* O-ring	FPM
5	* Stem	AISI 316L / 1.4404	16	Discharge pipe	AISI 316 / 1.4401
6	* Valve plug seal	** EPDM; PTFE; FPM	17	Lock nut	CF8 / 1.4308
7	* O-ring	EPDM	18	Lock nut	Stainless steel A2-70
8	Centering ring	AISI 316L / 1.4404	19	* Spring	AISI 302 / 1.4310
9	* O-ring	** EPDM; PTFE; FPM	20	* Chevron packing set	PTFE
10	* Stem seal	** EPDM; PTFE; FPM	21	* O-ring	EPDM
11	* Guide bushing	PTFE	22	* Washer	AISI 304 / 1.4301
12	* O-ring	EPDM; FPM	23	Packing nut	AISI 316L / 1.4404
13	* Scraper ring	FPM; NBR			

\* Available spare parts; \*\* Others on request.

Remarks: FDA / USP Class VI seals certificate on request.

All valves have a serial number. In case of non-standard valves, this number must be supplied if spare parts are ordered.

ORDERING CODES V926H a)																																		
<b>Valve model</b>												V9H	1	S	U	E	M	E	FD	X	XD	015												
V926H - AISI 316L / 1.4404 hygienic control valve, two-way, angle body												V9H																						
<b>Valve series</b>																																		
Series 1													1																					
<b>Bonnet design</b>																																		
Standard														S																				
With steam barrier														B																				
<b>Flow direction</b>																																		
Flow under the plug															U																			
<b>Stem and body sealing b)</b>																																		
EPDM																E																		
PTFE																T																		
FPM / Viton																V																		
<b>Valve sealing</b>																																		
Metal to metal (class IV)																	M																	
Soft sealed with EPDM (class VI)																	E																	
Soft sealed with PTFE (class VI)																	T																	
Soft sealed with FPM/Viton (class VI)																	V																	
<b>Characteristic</b>																																		
Equal percentage (EQP)																		E																
Linear (PL)																		L																
<b>Flow rate coefficient</b>																																		
Kvs 4																							FD											
See table below for other Kvs value codes																																		
<b>Surface finish c)</b>																																		
Standard surface finish																															X			
Mirror mechanical polished external surfaces (SF1)																																P		
Electropolished internal wetted parts (SF5)																																E		
<b>Pipe connection</b>																																		
Clamp ferrule ASME BPE																																	DX	
Tube weld (ETO) according to ASME BPE																																	DI	
<b>Size</b>																																		
1/2"																																	015	
3/4"																																		020
...																																		
<b>Special construction / Additional options</b>																																		
Full description or additional codes have to be added in case of a non-standard combination																																		E

a) Codification for valve only. For actuator codes, refer to the appropriate information sheet. b) When the bonnet with heating chamber is selected the stem sealing is achieved through a PTFE V-Rings/chevron packing set. In which case this field only specifies the body sealing material. c) Consult TIS.GIA – General information ADCAPure – for further details and other surface finish options.

FLOW RATE COEFFICIENT CODES																	
<b>Kvs</b>	0,1	0,25	0,5	1	1,5	2	2,3	2,9	4	6,3	10	16	25	40	63	100	160
<b>Code</b>	M4	M2	M1	R4	R3	R2	R1	R0	FD	FE	FF	FG	FH	FI	FJ	FL	FM