

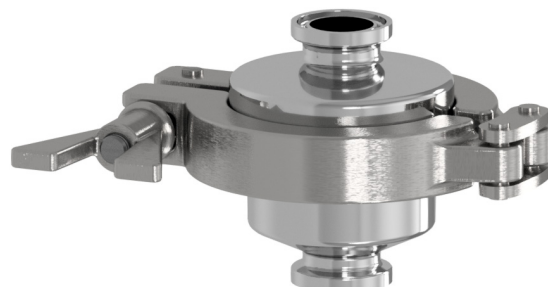
## BALANCED PRESSURE THERMOSTATIC STEAM TRAPS TSS6H

### DESCRIPTION

The ADCAPure TSS6H all stainless steel thermostatic steam traps and air vents are specifically designed for use in hygienic applications such as reactors, CIP/SIP, autoclaves, sterilizers and distribution lines in clean and pure steam systems.

Their small size makes them ideal for use with a wide variety of equipment.

The thermostatic element is very sensitive and designed to open with a minimum sub-cooling of approximately 2 °C related to the saturated steam temperature.



### MAIN FEATURES

Modulating discharge.  
Excellent air discharge.  
Simple and compact design.

### STANDARD SURFACE FINISH

Internal wetted parts: ≤ 0,51 µm Ra – SF1.  
External: ≤ 0,76 µm Ra – SF3.  
Other surface conditions see TIS.GIA – General information ADCAPure.  
Ultrasonic cleaning.

OPTIONS: Special designs on request.

USE: Saturated clean steam.

AVAILABLE MODELS: TSS6H – high capacity clean steam trap.

SIZES: 1/2" to 1 1/2".

CONNECTIONS: ASME BPE clamp ferrules.  
Others on request.

PACKAGING: Assembling and packaging in a clean room certified according to ISO 14644-1.  
The product is end capped and sealed with recyclable thermo-shrinkable plastic film, to avoid contamination.

INSTALLATION: Vertical installation. See IMI – Installation and maintenance instructions.

#### CE MARKING – GROUP 2 (PED – European Directive)

PN 10	Category
1/2" to 1 1/2"	SEP

#### LIMITING CONDITIONS \*

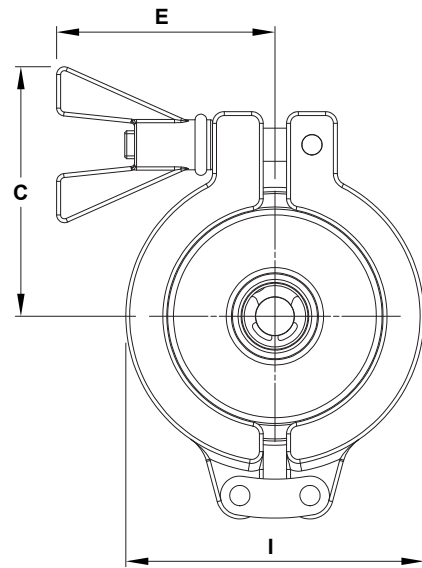
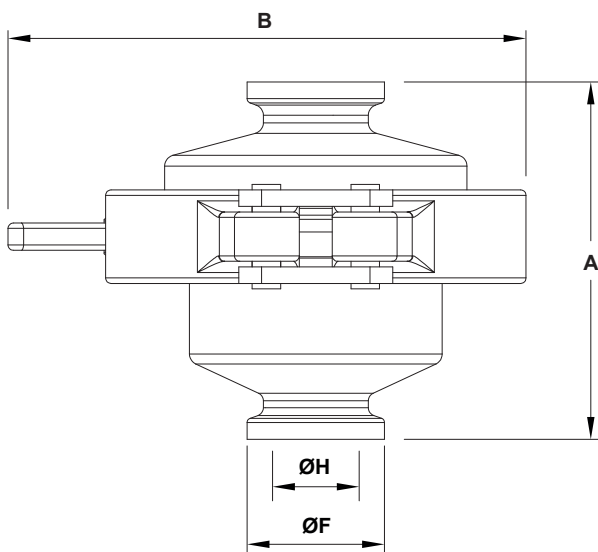
Maximum allowable pressure	10 bar
Maximum allowable temperature	177 °C
Maximum operating pressure	6 bar
Maximum operating temperature	165 °C

\* Other limits on request. Maximum operating conditions may be limited by the steam trap end connections due to normative restrictions.

**FLOW RATE CAPACITY (kg/h)**

MODEL	SIZE	DIFFERENTIAL PRESSURE (bar)									
		0,2	0,3	0,5	1	1,5	2	3	4	5	6
TSS6H (A)	1/2"	320	380	410	550	680	909	1081	1199	1372	1403
TSS6H (B)	1/2"	912	980	1079	1641	1964	2216	2831	3242	3611	3693
TSS6H (A)	3/4"	605	640	710	900	1096	1284	1801	2000	2330	2510
TSS6H (B)	3/4"	1186	1294	1354	1970	2372	2737	3312	3845	4227	4584
TSS6H (A)	1" and 1 1/2"	780	810	915	1188	1412	1840	2305	2970	3494	3962
TSS6H (B)	1" and 1 1/2"	1291	1378	1477	2052	2531	2873	3529	4104	4494	4966

A – Condensate discharge at 5 °C below saturation temperature. B – Cold water capacity around 20 °C.



**DIMENSIONS – ASME BPE (mm)**

SIZE	A	B	C	E	ØF	ØH	I	WEIGHT (kg)
1/2"	65	94	64	56	25	9,4	76,5	0,7
3/4"	65	94	64	56	25	15,8	76,5	0,7
1"	65	94	64	56	50,4	22,1	76,5	0,8
1 1/2"	65	94	64	56	50,4	34,8	76,5	0,8

**MATERIALS**

POS. N°	DESIGNATION	MATERIAL
1	Body	AISI 316L / 1.4404
2	Cover	AISI 316L / 1.4404
3	* Thermostat	AISI 316L / 1.4404
4	* Gasket	** Glass microsphere filled PTFE
5	Safety clamp	AISI 316 / 1.4401

\* Available spare parts. \*\* Others on request.

Remark: FDA / USP Class VI seals certificate on request.

