

## BALANCED PRESSURE THERMOSTATIC STEAM TRAPS TSS6A

### DESCRIPTION

The ADCAPure TSS6A all stainless steel thermostatic steam traps and air vents are specifically designed for use in hygienic applications such as reactors, CIP/SIP, autoclaves, sterilizers and distribution lines in clean and pure steam systems.

Their small size makes them ideal for use with a wide variety of equipment.

### MAIN FEATURES

Modulating discharge.  
Excellent air discharge.  
Simple and compact design.

### STANDARD SURFACE FINISH

Internal wetted parts:  $\leq 0,51 \mu\text{m Ra} - \text{SF1}$ .

External:  $\leq 0,76 \mu\text{m Ra} - \text{SF3}$ .

Other surface conditions see TIS.GIA – General information ADCAPure.

Ultrasonic cleaning.

OPTIONS: Special designs on request.

USE: Saturated clean steam.

AVAILABLE MODELS: TSS6A – horizontal inlet and outlet.  
TSS6AI – horizontal inlet and vertical outlet.  
TSS6AO – vertical inlet and horizontal outlet.

SIZES: 1/2" and 3/4".

CONNECTIONS: ASME BPE clamp ferrules.  
Others on request.

PACKAGING: Assembling and packaging in a clean room certified according to ISO 14644-1.  
The product is end capped and sealed with recyclable thermo-shrinkable plastic film, to avoid contamination.

INSTALLATION: Installation with the safety clamp in the horizontal position. See IMI – Installation and maintenance instructions.



TSS6A



TSS6AI



TSS6AO

#### CE MARKING – GROUP 2 (PED – European Directive)

PN 10	Category
1/2" and 3/4"	SEP

#### LIMITING CONDITIONS \*

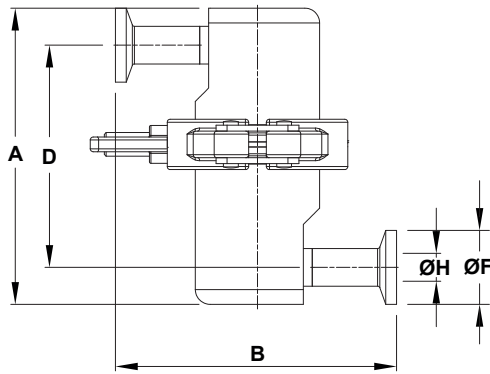
Maximum allowable pressure	10 bar
Maximum allowable temperature	177 °C
Maximum operating pressure	6 bar
Maximum operating temperature	165 °C

\* Other limits on request. Maximum operating conditions may be limited by the steam trap end connections due to normative restrictions.

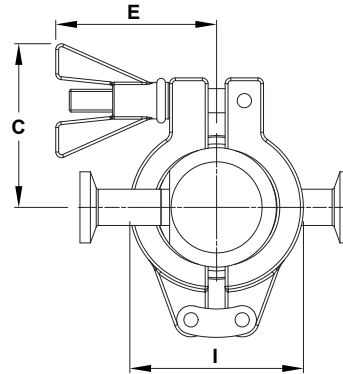
FLOW RATE CAPACITY (kg/h)

MODEL	SIZE	DIFFERENTIAL PRESSURE (bar)								
		0,2	0,3	0,5	1	1,5	2	3	4	6
TSS6A (A) *	1/2" and 3/4"	320	380	410	550	680	909	1081	1199	1403
TSS6A (B) *	1/2" and 3/4"	470	495	518	697	792	1026	1231	1436	1682

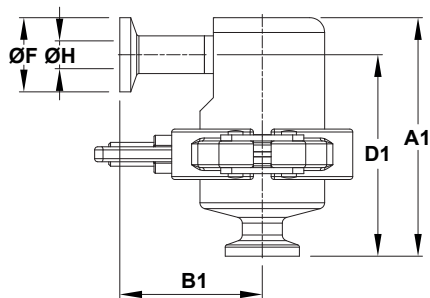
A – Condensate discharge at 5 °C below saturation temperature. B – Cold water capacity around 20 °C. \* Also valid for TSS6AI and TSS6AO.



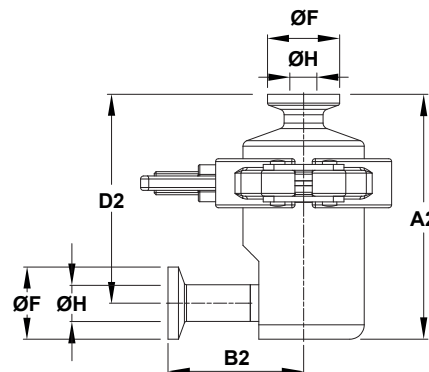
TSS6A



TSS6A



TSS6AI



TSS6AO

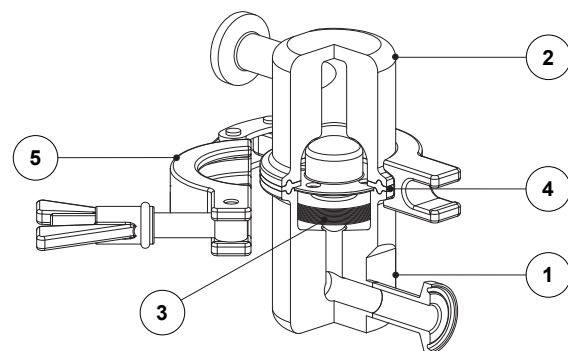
DIMENSIONS – ASME BPE (mm)

SIZE	A	A1	A2	B	B1	B2	C	D	D1	D2	E	ØF	ØH	I	WGT. (kg)
1/2"	100	80,5	85	95	48	47	57,5	75	68	72,5	56,5	25	9,4	61	1,2
3/4"	100	80,5	85	95	48	47	57,5	75	68	72,5	56,5	25	15,8	61	1,2

MATERIALS

POS. N°	DESIGNATION	MATERIAL
1	Body	AISI 316L / 1.4404
2	Cover	AISI 316L / 1.4404
3	* Thermostat	AISI 316L / 1.4404
4	* Gasket	** Glass microsphere filled PTFE
5	Safety clamp	AISI 316 / 1.4401

\* Available spare parts. \*\* Others on request.  
Remark: FDA / USP Class VI seals certificate on request.



We reserve the right to change the design and material of this product without notice.