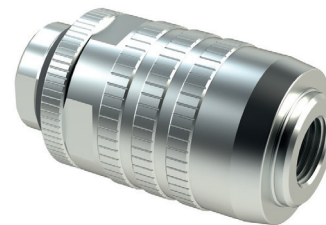


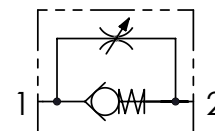
BARREL FLOW CONTROL VALVES VURF

250 – 350 BAR Rated
Carbon Steel

VURF flow control valves allow flow adjustment in one way and free passage in opposite direction



OLEOWEB
Valves and solutions



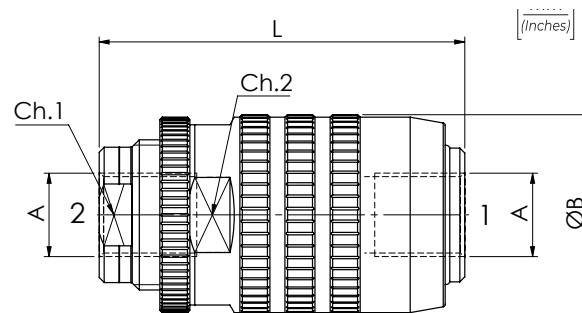
Article no.	Size BSP	Max Pressure BAR	Max Flow l/min	Price £	Price €
VURF140	1/4"	350	15	£36.00	€37.20
VURF380	3/8"	350	30	£40.20	€41.40
VURF120	1/2"	300	45	£43.80	€45.20
VURF340	3/4"	350	85	£71.70	€74.00
VURF100	1"	250	150	£120.80	€124.60
VURF114	1 1/4"	250	200	£170.30	€203.40

Technical data

Mineral oil ISO 6743/4 (DIN 51524)
 Oil viscosity 15-250 mm²/s (15 to 250 cSt)
 Max contamination index ISO 4406:1999 Classe 19/17/14
 Oil temperature -20°C +80°C -4°F + 176°F
 Ambient temperature -20°C +50°C -4°F + 122°F
 It is necessary a filter is used to protect the valve (advised filtration 15 µm)

Dimensions (mm)

Code	A	B	L	Ch.1	Ch.2	Weight kg
VURF140	BSPP 1/4"	34	62	19	30	0.28
VURF380	BSPP 3/8"	39	73	24	36	0.46
VURF120	BSPP 1/2"	44	83	30	42	0.66
VURF340	BSPP 3/4"	54	102	36	50	1.10
VURF100	BSPP 1"	65	124.5	42	60	1.90
VURF114	BSPP 1 1/4"	75	144	50	70	2.95



Pressure Drop Graph

