

VUBA HOSE BURST VALVES

350 BAR Rated

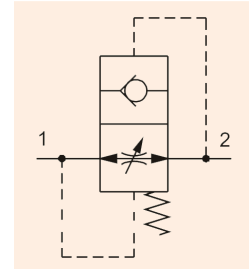


HYDRAULIC VALVES

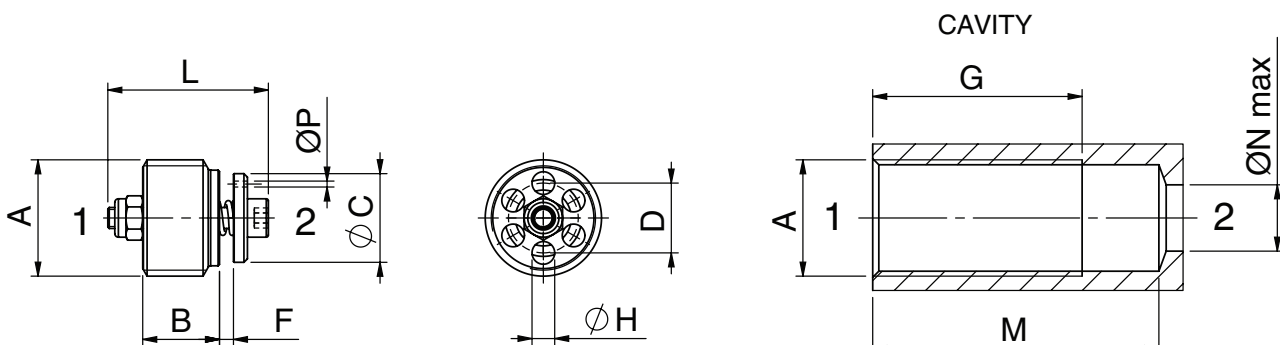
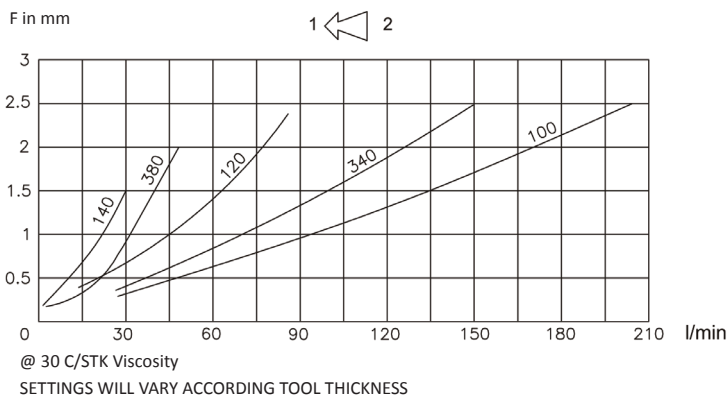
OLEOWEB
Valves and solutions

Article no. Cartridge	A	Max Pressure BAR	Max Flow l/min	Price £	Price €
VUBA140	BSPP 1/4	350	25	£6.20	€6.40
VUBA380	BSPP 3/8	350	50	£6.20	€5.60
VUBA120	BSPP 1/2	350	80	£6.20	€5.60
VUBA340	BSPP 3/4	350	150	£11.20	€10.00
VUBA100	BSPP 1	350	180	£15.90	€14.30
Presetting cost				£4.50	€5.40

Additional cost to supply valves with orifice = 5%



Gap Setting Chart



F setting - On request
Orifice on flat poppet - On request

Dimensions (mm)

Code	A	B	C	D	G	H	L	M	N	Tightening torque Nm	Weight kg
VUBA140	BSPP 1/4	8.2	10.4	8	25	2.5	19	35	7	2	0.008
VUBA380	BSPP 3/8	11	12.7	10	30	3.25	23	41	9.5	3	0.014
VUBA120	BSPP 1/2	13	15	11.5	33	4	29	46	12	4	0.025
VUBA340	BSPP 3/4	18	18	14.5	42	5.2	34	55	16	10	0.054
VUBA100	BSPP 1	20	26	19	48	7	40	63	22	12	0.1