



# VPP 3 WAY FLOW CONTROL VALVES

**250 BAR Rated**

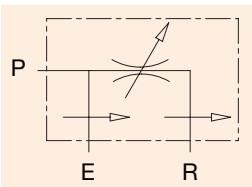
**Pressure Compensated, Exceeding Flow to Pressure**



## Ordering code

Article no.	Size	Price £	Price €
VPP380V	3/8"	£149.70	€154.20
VPP120V	1/2"	£149.70	€154.20
VPP340V	3/4"	£224.50	€231.30

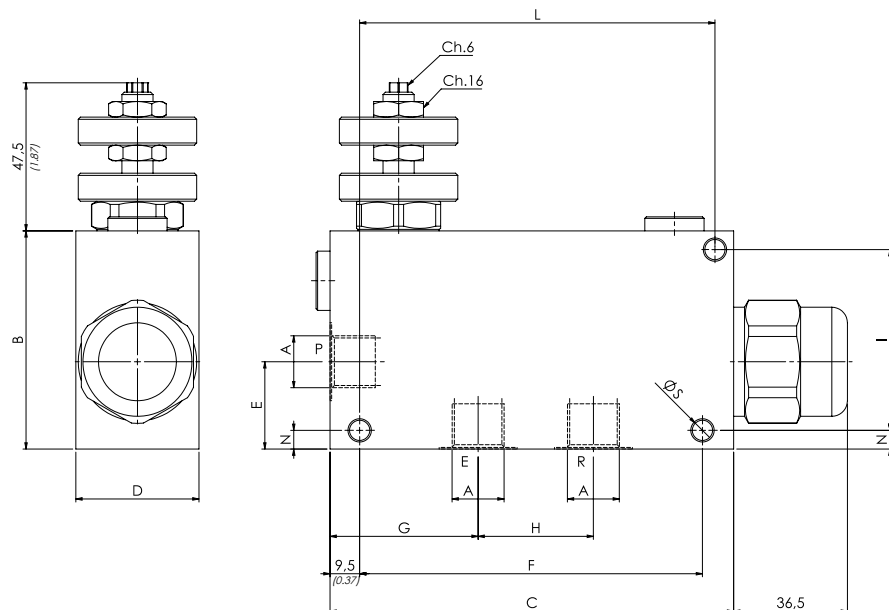
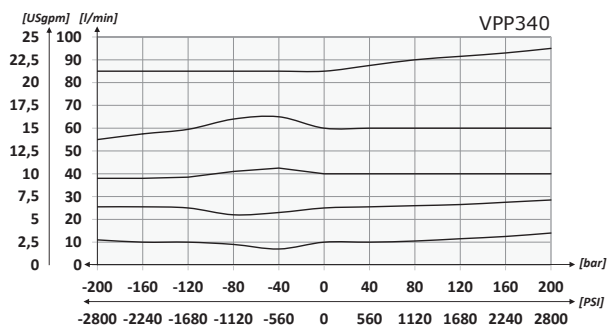
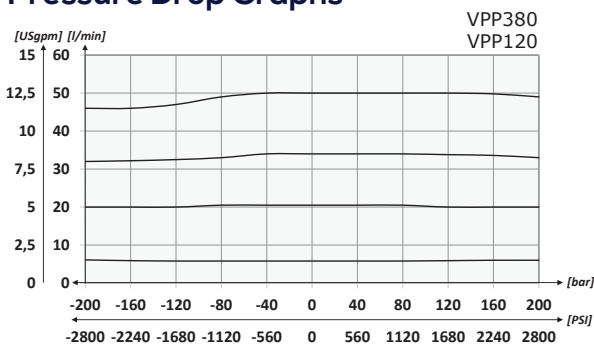
VPP - X - Y			
X	Size	Y	
380	BSPP 3/8	V	Hand Wheel
120	BSPP 1/2		
340	BSPP 3/8		



## Technical data

Mineral oil	ISO 6743/4 (DIN 51524)
Oil viscosity	15-250 mm <sup>2</sup> /s (15 to 250 cSt)
Max contamination index	ISO 4406:1999 Classe 19/17/14
Oil temperature	-20°C +80°C -4°F + 176°F
Ambient temperature	-20°C +50°C -4°F + 122°F
It is necessary a filter use to protect the valve (advised filtration 15 µm)	

## Pressure Drop Graphs



## Dimensions (mm)

Code	A	Max Flow l/min	Max pressure bar	B	C	D	E	F	G	H	I	L	N	S	Weight kg
VPP380	BSPP 3/8	50	250	70	129.5	39.5	28	110	47	37	58	114	6	6.5	1.54
VPP120	BSPP 1/2	90	250	70	129.5	39.5	28	110	47	37	58	114	6	6.5	1.52
VPP340	BSPP 3/4	150	250	90	155	50	35	/	57	44	74	135	8	8.5	2.48