

VMDR90 DIRECT ACTING PRESSURE RELIEF VALVES

350 BAR Rated



OLEOWEB
Valves and solutions

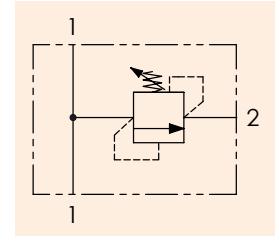
HYDRAULIC VALVES

Article no.	Max Pressure BAR	Max Flow l/min	Weight kg	Price £	Price €
VMDR90120	350	80	0.65	£66.30	€68.30
VMDR90340	350	80	1	£71.20	€73.40

Ordering code

VMDR90 - X - Y - Z

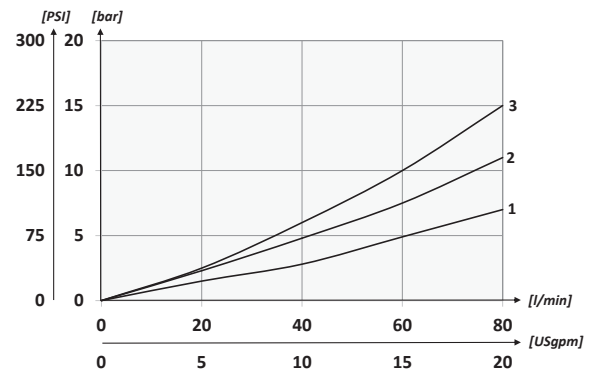
X	Size	Y		Z	Spring
120	BSPP 1/2	C	Screw	1	10 - 100 bar
340	BSPP 3/4	V	Hand Wheel	2	20 - 250 bar
				3	50 - 350 bar



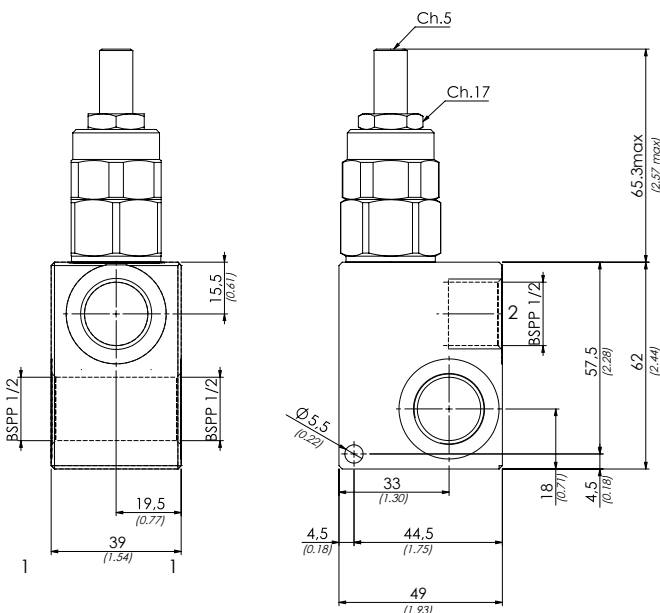
Technical data

Mineral oil	ISO 6743/4 (DIN 51524)
Oil viscosity	15-250 mm ² /s (15 to 250 cSt)
Max contamination index	ISO 4406:1999 Classe 19/17/14
Oil temperature	-20°C to +80°C
Ambient temperature	-20°C to +50°C
It is necessary a filter use to protect the valve (advised filtration 15µm)	

Pressure Drop Graph



Dimensions - VMDR90120



mm
(Inches)

Dimensions - VMDR90340

