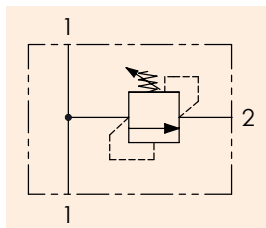




VMDR120 DIRECT ACTING PRESSURE RELIEF VALVES

350 BAR Rated



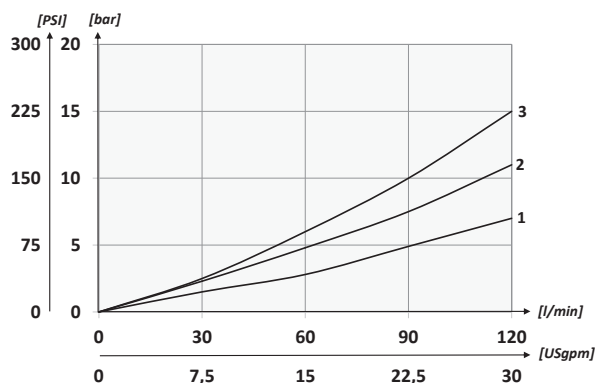
Article no.	Max Pressure BAR	Max Flow l/min	Weight kg	Price £	Price €
VMDR120340	350	120	1.10	£86.70	€89.40
VMDR120100	350	120	1.70	£98.50	€101.50

Ordering code

VMDR120 - X - Y - Z

X	Size	Y		Z	Spring
340	BSPP 3/4	C	Screw	1	10 - 100 bar
100	BSPP 1	V	Hand Wheel	2	20 - 250 bar
				3	40 - 350 bar

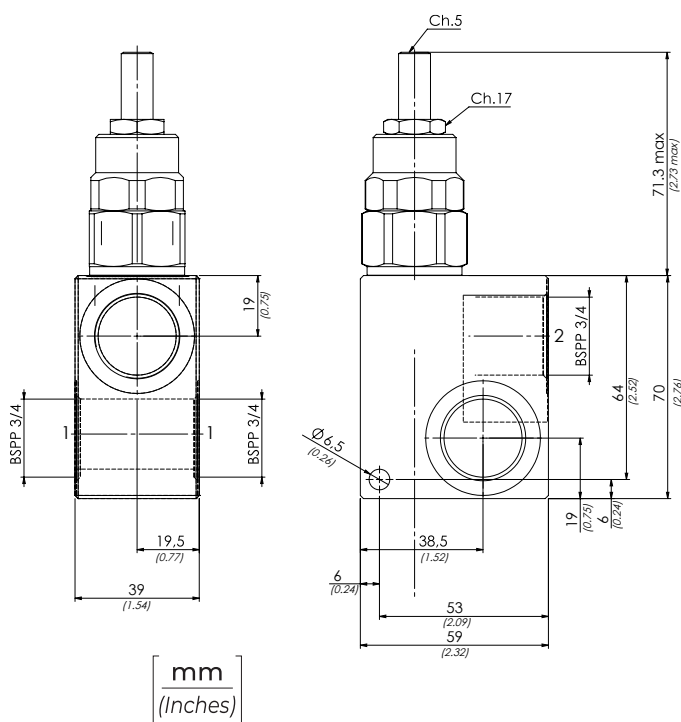
Pressure Drop Graph



Technical data

Mineral oil ISO 6743/4 (DIN 51524)
 Oil viscosity 15-250 mm²/s (15 to 250 cSt)
 Max contamination index ISO 4406:1999 Classe 19/17/14
 Oil temperature -20°C to +80°C
 Ambient temperature -20°C to +50°C
 It is necessary a filter use to protect the valve (advised filtration 15µm)

Dimensions - VMDR120340



Dimensions - VMDR120100

