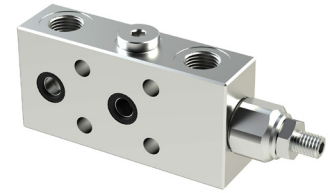


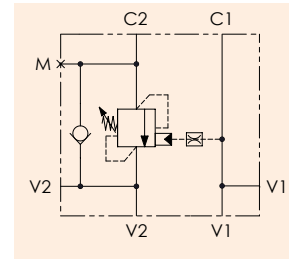
VBLF SINGLE COUNTERBALANCE VALVES

For Open Center - Double Flanged Version



OLEOWEB
Valves and solutions

HYDRAULIC VALVES



Article no.	Size	BSPP	Price £	Price €
VBLF380	3/8"		£77.20	€79.50
VBLF120	1/2"		£87.90	€90.60

Ordering code

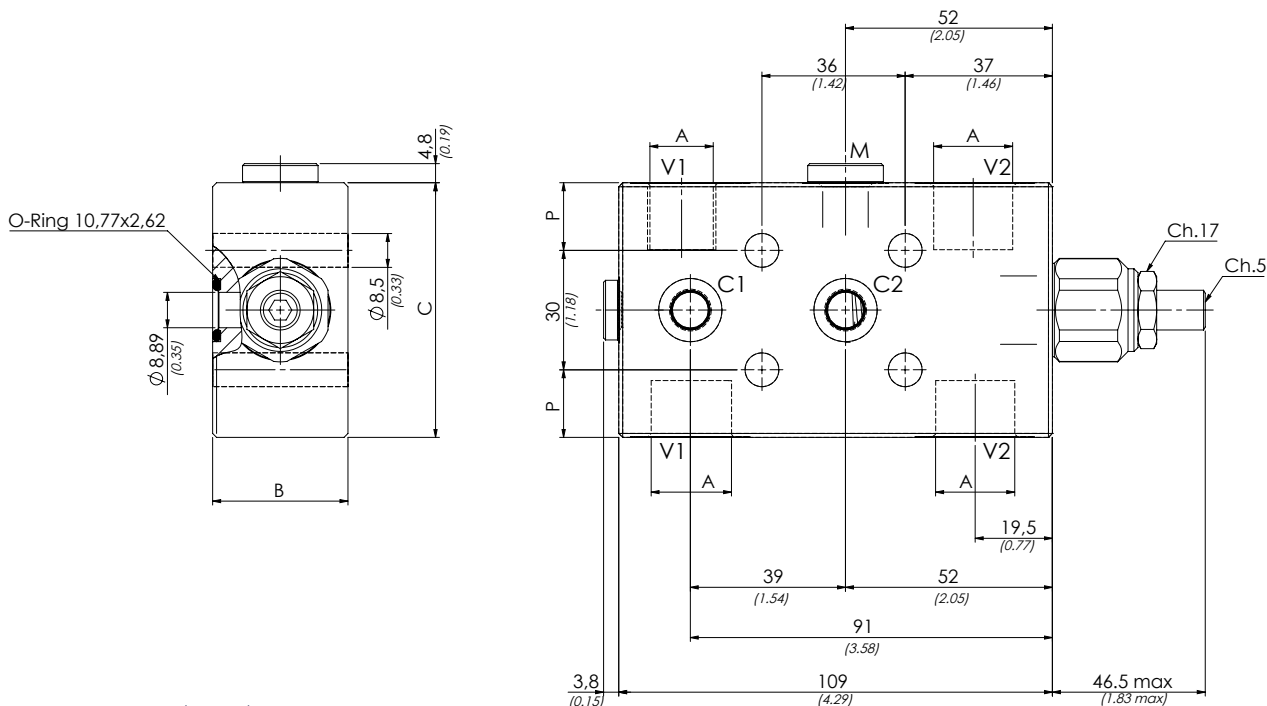
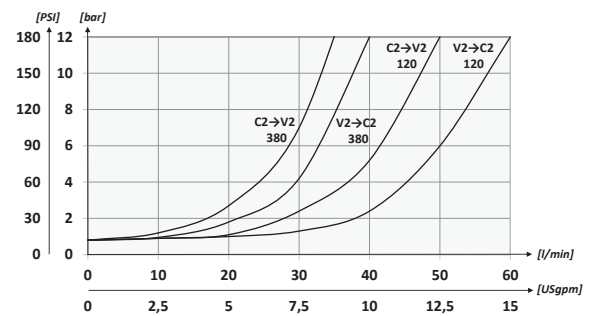
VBLF - X - Y - K - I

X	Size	Y	Spring	Pressure increase	Std. setting (Q=5 l/min)	K	Material	I	Pilot ratio
380	BSPP 3/8	1	30/210 bar	70 bar/turn	200 bar	S	Steel body	/	1:4.25 Standard
120	BSPP 1/2	2	60/350 bar	120 bar/turn	350 bar			8	1:8.75

Technical data

Mineral oil	ISO 6743/4 (DIN 51524)
Oil viscosity	15-250 mm ² /s (15 to 250 cSt)
Max contamination index	ISO 4406:1999 Classe 18/16/13
Oil temperature	-20°C +80°C -4°F + 176°F
Ambient temperature	-20°C +50°C -4°F + 122°F
Leakage@46cSt & 200 bar	0,015 in ³ /min - 5 drops/min
It is necessary a filter use to protect the valve (advised filtration 15 µm)	

Pressure Drop



Dimensions (mm)

Code	A	Max Flow l/min	Max pressure bar	B	C	M	P	Weight kg
VBLF380	BSPP 3/8	40	350	29	54	BSPP 1/4	12	1.17
VBLF120	BSPP 1/2	60	350	34	64	BSPP 1/4	17	1.55