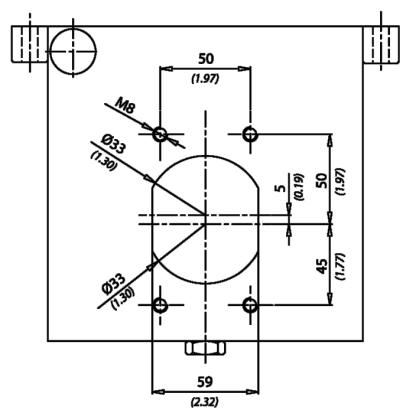
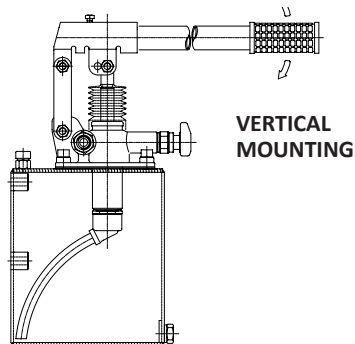
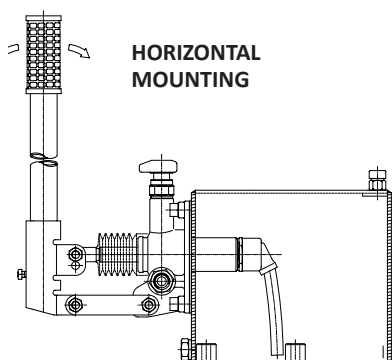




TNK STEEL RESERVOIRS

Black oil proof painting.
Reservoir includes the breather plugs and draft tube.

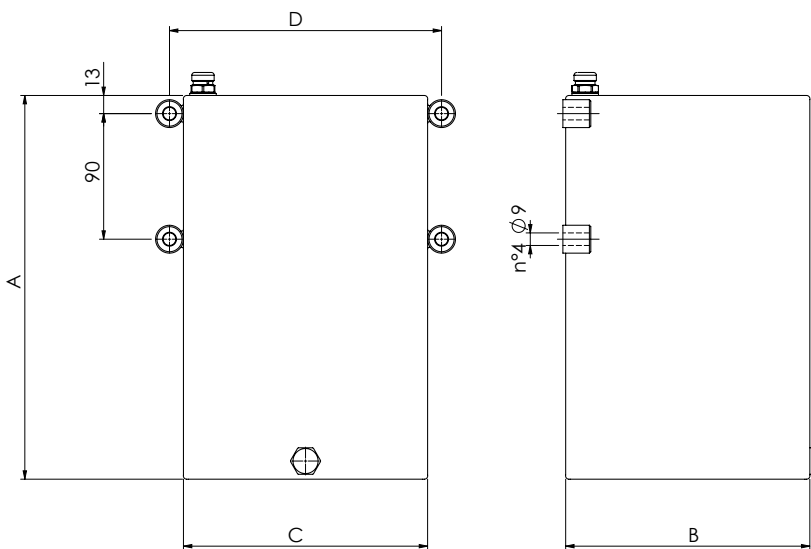
Article no.	Size Ltr	Price £	Price €
TNK1	1	£82.10	€84.60
TNK2	2	£86.90	€89.50
TNK3	3	£96.80	€99.70
TNK5	5	£119.00	€122.60
TNK7	7	£140.00	€144.30
TNK10	10	£169.00	€174.10
TNK13	13	£173.70	€178.90
TNK15	15	£282.60	€291.20
TNK20	20	£399.90	€411.70



Technical data

Mineral oil ISO 6743/4 (DIN 51524)
 Oil viscosity 15-250 mm²/s (15 to 250 cSt)
 Max contamination index ISO 4406:1999 Classe 19/17/14
 Oil temperature -20°C +80°C -4°F + 176°F
 Ambient temperature -20°C +50°C -4°F + 122°F
 It is necessary a filter is used to protect the valve (advised filtration 15 µm)

Dimensions (mm)



Code	Capacity	A	B	C	D	Weight Kg
TNK1	1	120	150	100	120	2.2
TNK2	2	185	150	100	120	2.7
TNK3	3	255	150	100	120	3.5
TNK5	5	200	175	175	195	5
TNK7	7	275	175	175	195	5.5
TNK10	10	380	175	175	195	7.1
TNK13	13	485	175	175	195	10.75
TNK15	15	600	175	175	195	12.1
TNK20	20	780	175	175	195	16