

# SV16-23

2 Way, Normally Open, 207 BAR Rated

A solenoid-operated, two-way, normally open, poppet-type, screw-in hydraulic cartridge valve, designed to function as a load holding or blocking valve in applications requiring low internal leakage.

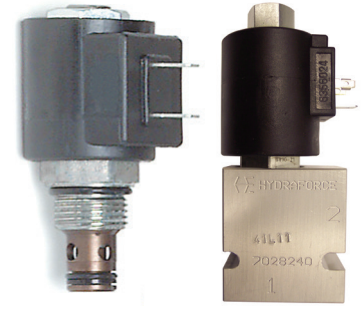
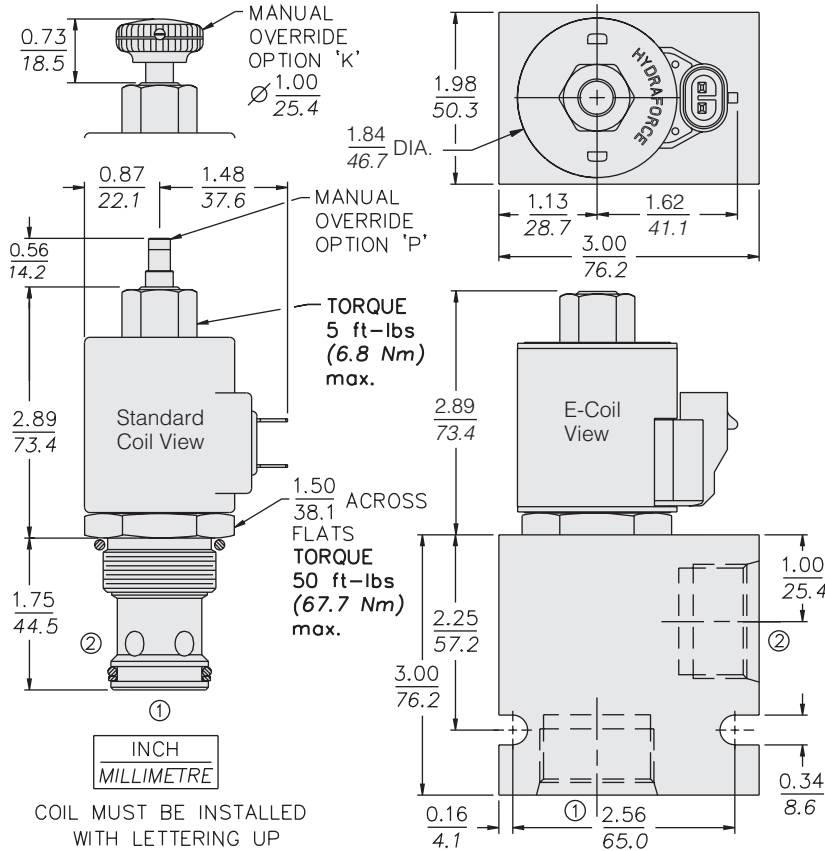
Voltage	Hydraforce code	Article no.	Price £	Price €
<b>CARTRIDGE VERSION</b>				
24V DC	SV16-23-0-N-24DG	SV1623C24	£220.90	€265.10
110V AC	SV16-23-0-N-115AG	SV1623C115	£245.40	€294.50
220V AC	SV16-23-0-N-230AG	SV1623C230	£245.40	€294.50
<b>INLINE WITH BODY 3/4" BSP</b>				
24V DC	SV16-23-6B-N-24DG	SV16236B24	£357.00	€428.40
110V AC	SV16-23-6B-N-115AG	SV16236B110	£381.50	€457.80
220V AC	SV16-23-6B-N-230AG	SV16236B230	£381.50	€457.80
<b>INLINE WITH 1" BSP</b>				
24V DC	SV16-23-8B-N-24DG	SV16238B24	£322.40	€386.90
110V AC	SV16-23-8B-N-115AG	SV16238B115	£346.90	€416.30
220V AC	SV16-23-8B-N-230AG	SV16238B230	£346.90	€416.30

**with nitril seals**

**WITH 'G' DIN CONNECTOR PLUG**

On request - Viton Seals - Screen filter protection - Manual Override  
 On request - For DC coils with spade or push on connections

## Dimensions



## Materials

### Cartridge:

Weight: 0.31 kg. (0.69 lbs.)  
 Steel with hardened work surfaces. Zinc-plated exposed surfaces.  
 Buna N O-rings and polyester elastomer back-up standard.

### Standard Ported Body:

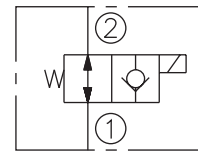
Weight: 0.57 kg. (1.25 lbs.)  
 Anodized high-strength 6061 T6 aluminum alloy, rated to 207 bar (3000 psi).  
 Ductile iron bodies available; dimensions may differ.

### Standard Coil:

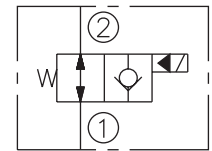
Weight: 0.27 kg. (0.60 lbs.)  
 Unitized thermoplastic encapsulated,

## Symbols

### USASI:



### ISO:



## Performance (Cartridge Only)

