

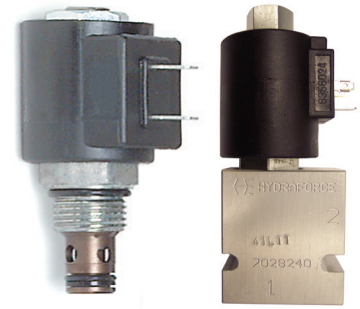
SV16-21

2 Way, Normally Open, 207 BAR Rated

A solenoid-operated, 2-way, normally open, poppet-type, screw-in hydraulic cartridge valve, designed to function as a load-holding or blocking valve in applications requiring low internal leakage.

Voltage	Hydraforce code	Article no.	Price £	Price €
CARTRIDGE VERSION				
24V DC	SV16-21-0-N-24DG	SV1621C24	£216.10	€259.40
110V AC	SV16-21-0-N-115AG	SV1621C115	£240.60	€288.70
220V AC	SV16-21-0-N-230AG	SV1621C230	£240.60	€288.70
INLINE WITH BODY 3/4" BSP				
24V DC	SV16-21-6B-N-24DG	SV16216B24	£325.20	€422.60
110V AC	SV16-21-6B-N-115AG	SV16216B110	£376.70	€452.00
220V AC	SV16-21-6B-N-230AG	SV16216B230	£376.70	€452.00
INLINE WITH BODY 1" BSP				
24V DC	SV16-21-8B-N-24DG	SV16218B24	£317.60	€381.20
110V AC	SV16-21-8B-N-115AG	SV16218B115	£342.10	€410.50
220V AC	SV16-21-8B-N-230AG	SV16218B230	£342.10	€410.50
with nitril seals				
WITH 'G' DIN CONNECTOR PLUG				

On request - Viton Seals - Screen filter protection - Manual Override
 On request - For DC coils with spade or push on connections



Materials

Cartridge:

Weight: 0.31 kg. (0.69 lbs.)
 Steel with hardened work surfaces.
 Zinc-plated exposed surfaces.
 Buna N O-rings and polyester elastomer back-up standard.

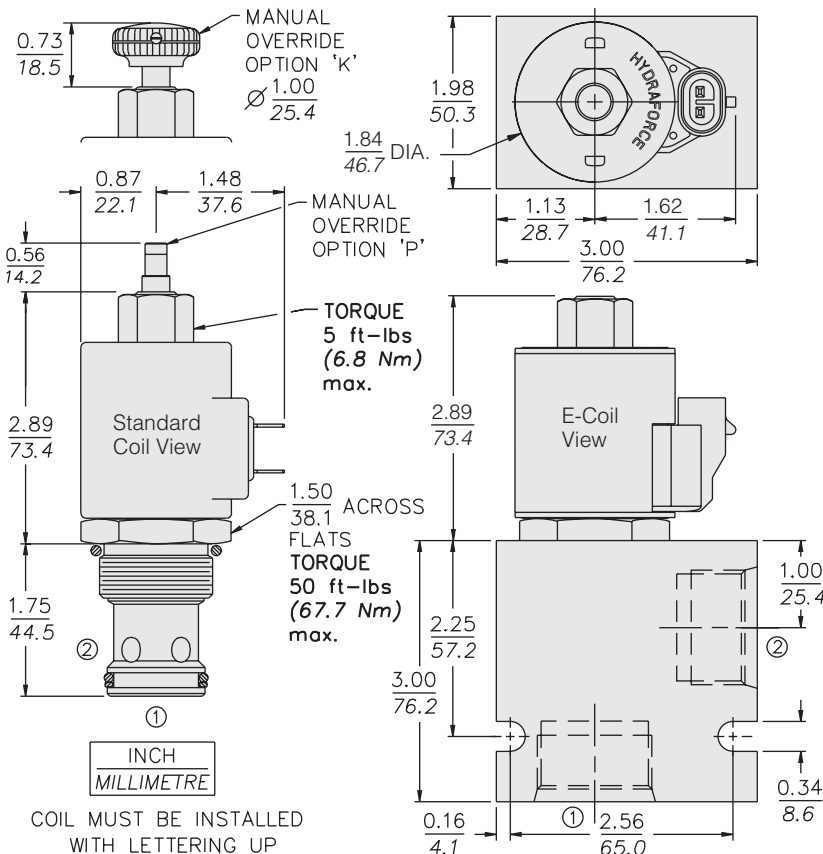
Standard Ported Body:

Weight: 0.57 kg. (1.25 lbs.)
 Anodized high-strength 6061 T6 aluminum alloy, rated to 207 bar (3000 psi).
 Ductile iron bodies available; dimensions may differ.

Standard Coil:

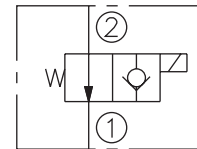
Weight: 0.27 kg. (0.60 lbs.)
 Unitized thermoplastic encapsulated.

Dimensions

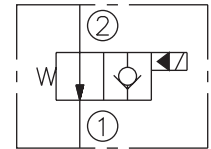


Symbols

USASI:



ISO:



Performance (Cartridge Only)

