

SV10-24

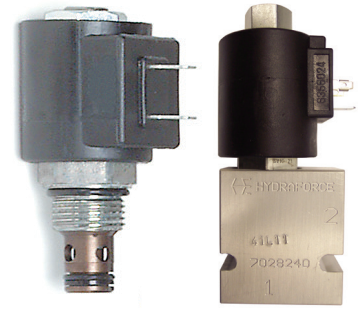
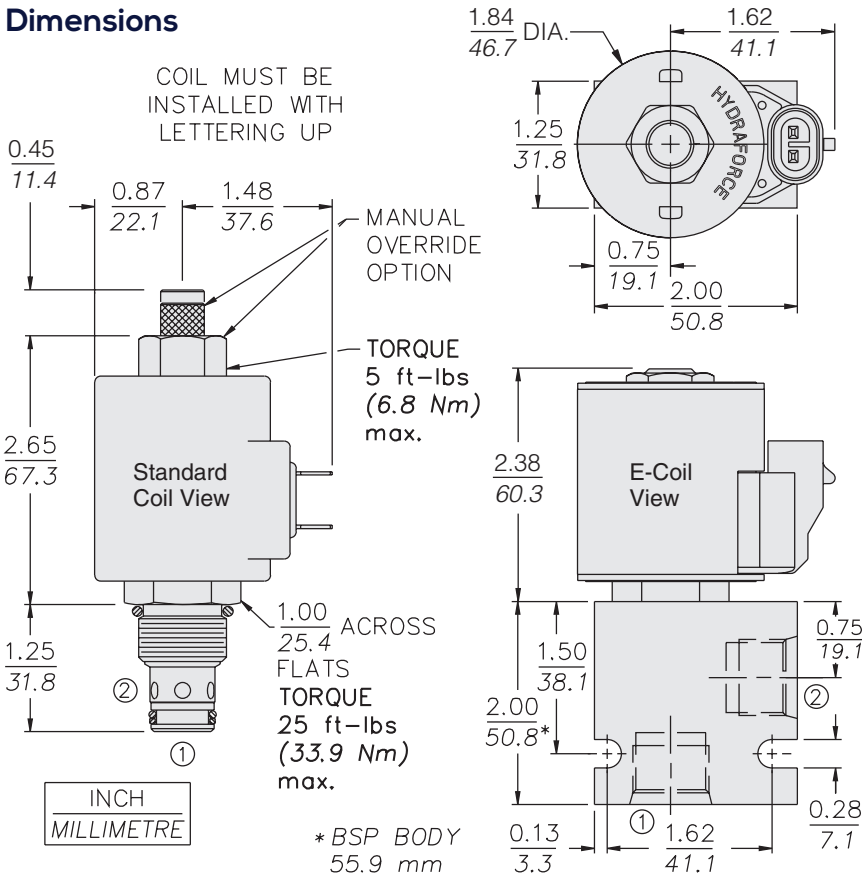
2 Way, Normally Closed, 207 BAR Rated

A solenoid-operated, two-way, normally closed, direct-acting, spool-type, screw-in hydraulic cartridge valve, designed to operate as a bidirectional blocking valve.

Voltage	Hydraforce code	Article no.	Price £	Price €
CARTRIDGE VERSION				
24V DC	SV10-24-0-N-24DG	SV1024C24	£123.80	€148.60
110V AC	SV10-24-0-N-115AG	SV1024C115	£148.30	€178.00
220V AC	SV10-24-0-N-230AG	SV1024C230	£148.30	€178.00
INLINE WITH BODY 1/4" BSP				
24V DC	SV10-24-2B-N-24DG	SV10242B24	£199.90	€239.90
110V AC	SV10-24-2B-N-115AG	SV10242B110	£224.40	€269.30
220V AC	SV10-24-2B-N-230AG	SV10242B230	£224.40	€269.30
INLINE WITH BODY 3/8" BSP				
24V DC	SV10-24-3B-N-24DG	SV10243B24	£196.40	€235.70
110V AC	SV10-24-3B-N-115AG	SV10243B115	£220.90	€265.10
220V AC	SV10-24-3B-N-230AG	SV10243B230	£220.90	€265.10
INLINE WITH BODY 1/2" BSP				
24V DC	SV10-24-4B-N-24DG	SV10244B24	£185.10	€222.10
110V AC	SV10-24-4B-N-115AG	SV10244B115	£209.60	€251.50
220V AC	SV10-24-4B-N-230AG	SV10244B230	£209.60	€251.50
with nitril seals				
WITH 'G' DIN CONNECTOR PLUG				

On request - Viton Seals - Screen filter protection - Manual Override
On request - For DC coils with spade or push on connections

Dimensions



Materials

Cartridge:

Weight: 0.16 kg. (0.35 lbs.);
Steel with hardened work surfaces.
Zinc-plated exposed surfaces.
Buna N O-rings and polyester elastomer back-up standard.

Standard Ported Body:

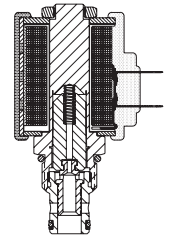
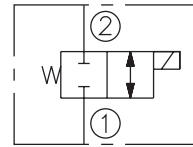
Weight: 0.16 kg. (0.35 lbs.)
Anodized high-strength 6061 T6 aluminum alloy, rated to 207 bar (3000 psi).
Ductile iron bodies available; dimensions may differ.

Standard Coil:

Weight: 0.27 kg. (0.60 lbs.)
Unitized thermoplastic encapsulated.

Symbols

USASI/ISO:



Performance (Cartridge Only)

