

# SV08-47C

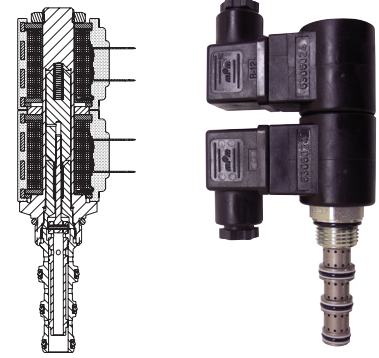
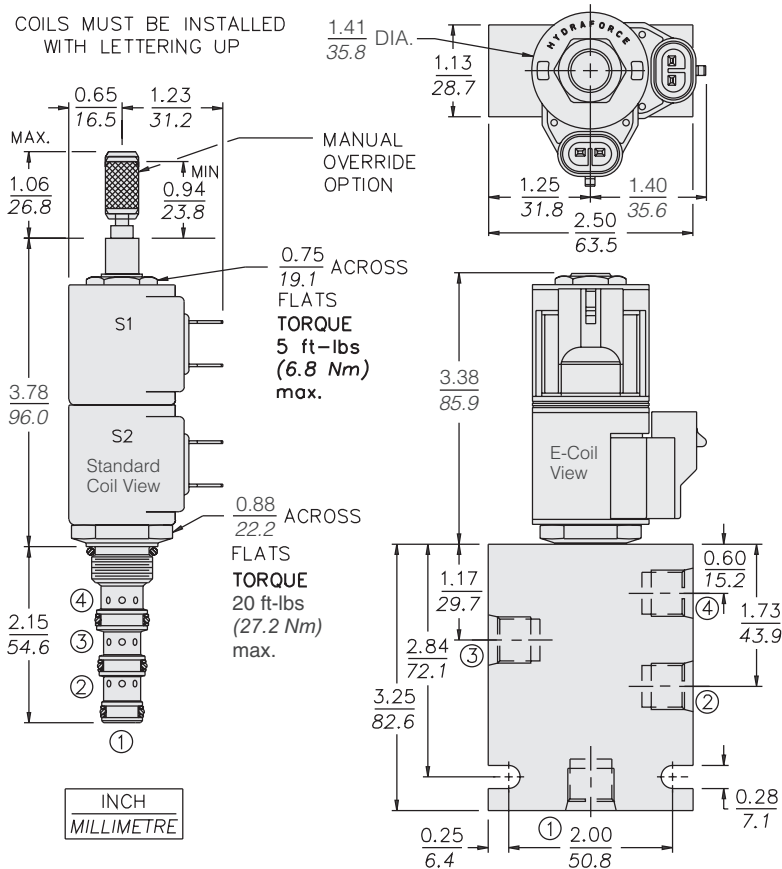
4 Way, 3 Position, Spool, Closed Center, 207 BAR Rated

A solenoid-operated, 4-way, 3-position, direct-acting, spool-type, closed center, screw-in hydraulic cartridge valve.

Voltage	Hydraforce code	Article no.	Price £	Price €
<b>CARTRIDGE VERSION</b>				
24V DC	SV08-47C-0-N-24DG	SV0847CC24	£202.10	€242.50
110V AC	SV08-47C-0-N-115AG	SV0847CC115	£252.00	€302.40
220V AC	SV08-47C-0-N-230AG	SV0847CC230	£266.90	€320.20
<b>INLINE WITH BODY 1/4" BSP</b>				
24V DC	SV08-47C-2B-N-24DG	SV0847C2B24	£283.90	€340.70
110V AC	SV08-47C-2B-N-115AG	SV0847C2B110	£333.80	€400.60
220V AC	SV08-47C-2B-N-230AG	SV0847C2B230	£348.70	€418.40
<b>INLINE WITH BODY 3/8" BSP</b>				
24V DC	SV08-47C-3B-N-24DG	SV0847C3B24	£307.50	€369.10
110V AC	SV08-47C-3B-N-115AG	SV0847C3B110	£357.40	€428.90
220V AC	SV08-47C-3B-N-230AG	SV0847C3B230	£372.30	€446.80
<b>with nitril seals</b>				
<b>WITH 'G' DIN CONNECTOR PLUG</b>				

On request - Viton Seals - Screen filter protection - Manual Override  
On request - For DC coils with spade or push on connections

## Dimensions



## Materials

### Cartridge:

Weight: 0.13 kg. (0.28 lbs.)  
Steel with hardened work surfaces.  
Zinc-plated exposed surfaces.  
Buna N O-rings and back-ups standard.

### Standard Ported Body:

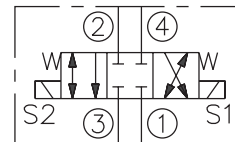
Weight: 0.27 kg. (0.60 lbs.)  
Anodized high-strength 6061 T6 aluminum alloy, rated to 207 bar (3000 psi).  
Ductile iron bodies available;  
dimensions may differ.

### Standard Coil:

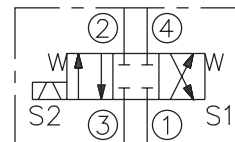
Weight each: 0.11 kg. (0.25 lbs.)  
Unitized thermoplastic encapsulated.

## Symbols

### USASI:



### ISO:



## Performance (Cartridge Only)

