

# SV08-47A

4 Way, 3 Position, Spool, Tandem Center, 207 BAR Rated

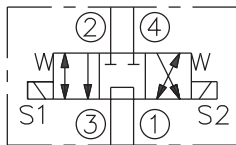
A solenoid-operated, four-way, three-position, direct-acting, spool-type, tandem center, screw-in hydraulic cartridge valve.

| Voltage                            | Hydraforce code     | Article no.  | Price £ | Price € |
|------------------------------------|---------------------|--------------|---------|---------|
| <b>CARTRIDGE VERSION</b>           |                     |              |         |         |
| 24V DC                             | SV08-47A-0-N-24DG   | SV0847AC24   | £207.80 | €249.40 |
| 110V AC                            | SV08-47A-0-N-115AG  | SV0847AC115  | £257.70 | €309.20 |
| 220V AC                            | SV08-47A-0-N-230AG  | SV0847AC230  | £272.60 | €327.10 |
| <b>INLINE WITH BODY 1/4" BSP</b>   |                     |              |         |         |
| 24V DC                             | SV08-47A-2B-N-24DG  | SV0847A2B24  | £289.60 | €347.60 |
| 110V AC                            | SV08-47A-2B-N-115AG | SV0847A2B110 | £339.50 | €407.40 |
| 220V AC                            | SV08-47A-2B-N-230AG | SV0847A2B230 | £354.40 | €425.30 |
| <b>INLINE WITH BODY 3/8" BSP</b>   |                     |              |         |         |
| 24V DC                             | SV08-47A-3B-N-24DG  | SV0847A3B24  | £313.30 | €375.90 |
| 110V AC                            | SV08-47A-3B-N-115AG | SV0847A3B110 | £363.10 | €435.80 |
| 220V AC                            | SV08-47A-3B-N-230AG | SV0847A3B230 | £378.00 | €453.60 |
| <b>with nitril seals</b>           |                     |              |         |         |
| <b>WITH 'G' DIN CONNECTOR PLUG</b> |                     |              |         |         |

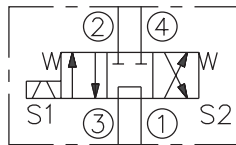
On request - Viton Seals - Screen filter protection - Manual Override  
On request - For DC coils with spade or push on connections

## Symbols

USASI:

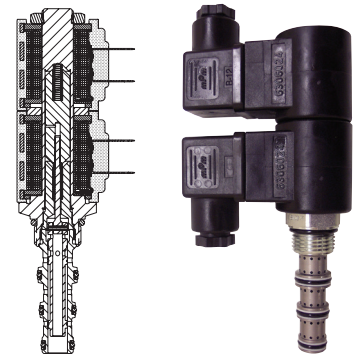
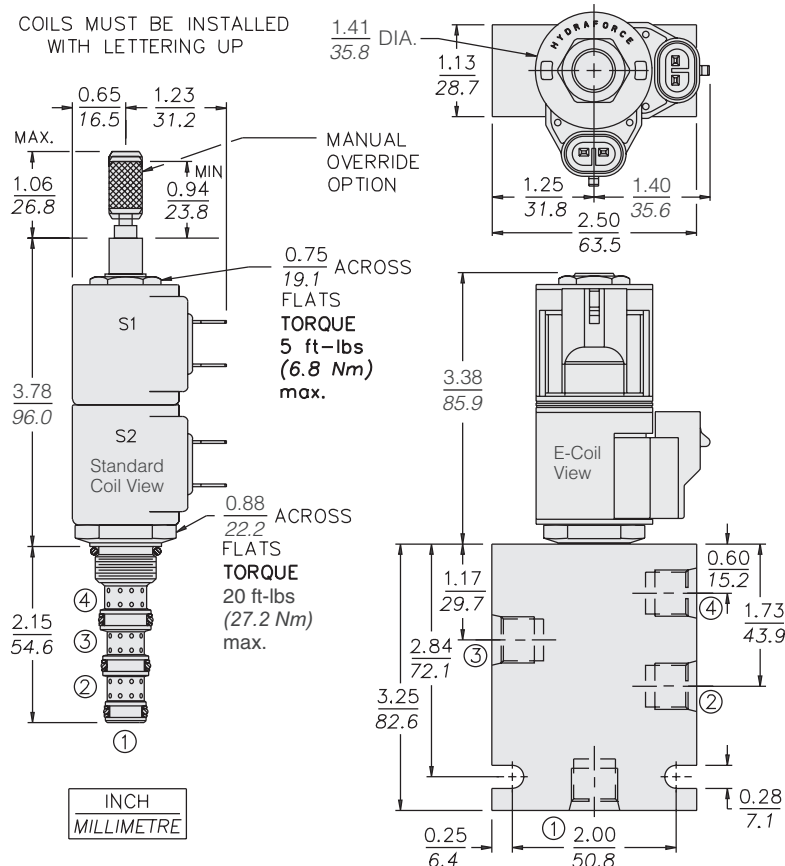


ISO:



## Dimensions

COILS MUST BE INSTALLED WITH LETTERING UP



## Materials

### Cartridge:

Weight: 0.13 kg. (0.28 lbs.)  
Steel with hardened work surfaces. Zinc-plated exposed surfaces.  
Buna N O-rings and back-ups standard.

### Standard Ported Body:

Weight: 0.27 kg. (0.60 lbs.)  
Anodized high-strength 6061 T6 aluminum alloy, rated to 207 bar (3000 psi).  
Ductile iron bodies available; dimensions may differ.

### Standard Coil:

Weight each: 0.11 kg. (0.25 lbs.)  
Unitized thermoplastic encapsulated.

## Performance (Cartridge Only)

